

TABLE OF CONTENTS

REPUBLIC OF THE PHILIPPINES
OFFICE OF THE CITY/MUNICIPAL ENGINEER/BUILDING OFFICIAL

DISTRICT/CITY/MUNICIPALITY
LAND USE & ZONING

ARCHITECTURAL

- A-1 PERSPECTIVE, LOCATION MAP, VICINITY MAP, AND TABLE OF CONTENTS
- A-2 FLOOR PLAN, WALL FINISHES, SCHEDULE OF DOORS AND WINDOWS, BLACKBOARD DETAIL, CONNECTION SECTION DETAIL
- A-3 REFLECTED CEILING PLAN, ROOF PLAN
- A-4 ELEVATION AND SECTIONS

STRUCTURAL

- SS-1 GENERAL CONSTRUCTION NOTES
- SS-2 GENERAL CONSTRUCTION NOTES
- SS-3 GENERAL CONSTRUCTION NOTES
- SS-4 FOUNDATION PLAN, COLUMN, FLOOR FRAMING, CEILING FRAMING, TYPICAL TRUSS

ELECTRICAL

- E-1 GENERAL NOTES, LOAD SCHEDULE, LEGEND, SINGLE LINE DIAGRAM, RISER DIAGRAM
- E-2 POWER LAYOUT
- E-3 LIGHTING LAYOUT

PLUMBING

- P-1 CATCH BASIN & COVER DETAIL, LEGEND, NOTES & DESIGN CRITERIA, CWL RISER DIAGRAM, CISTERN TANK RISER DIAGRAM
- P-2 WATER LINE
- P-3 WATER LINE (ISOMETRIC)
- P-4 SEWER LINE
- P-5 SEWER LINE (ISOMETRIC)
- P-6 DRAINAGE LINE
- P-7 DRAINAGE LINE (ISOMETRIC)

LINE & GRADE

ARCHITECTURAL

STRUCTURAL

SANITARY

ELECTRICAL

MECHANICAL



1 PERSPECTIVE
A-1 SCALE NTS

RSIM BUILDERS AND CONSTRUCTION SERVICES, INC.
Bacolod City, Negros Occidental

MR. RICHTIE B. GEROCHE
GENERAL MANAGER

CHECKED BY :

MELJAN I. TORRES
DIVISION ENGINEER
DepED

REVIEWED BY :

MICHAEL T. RAPIZ
Chief, SG00
DepED

APPROVED BY :

Dr. SALVADOR O. OCHAVO, CESO VI
SCHOOLS DIVISION SUPERINTENDENT
DIVISION OF AKLAN, DepED

PROJECT TITLE :

RESTORATION
OF GABALDON BUILDING
IBAJAY CENTRAL SCHOOL

LOCATION : New Washington Elementary School , Kalibo, Aklan

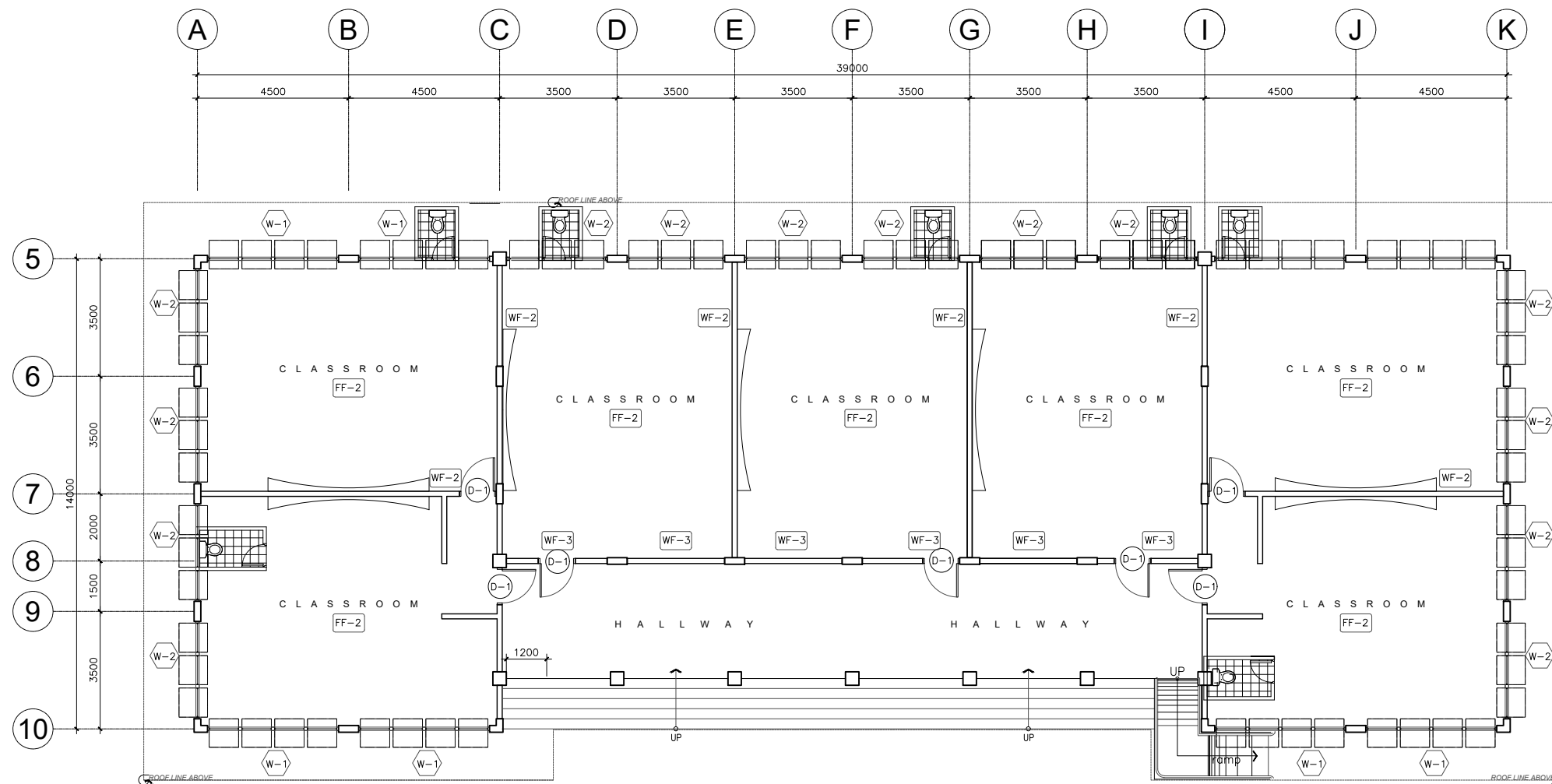
OWNER :

DEPARTMENT OF EDUCATION
DepED

SHEET CONTENTS :

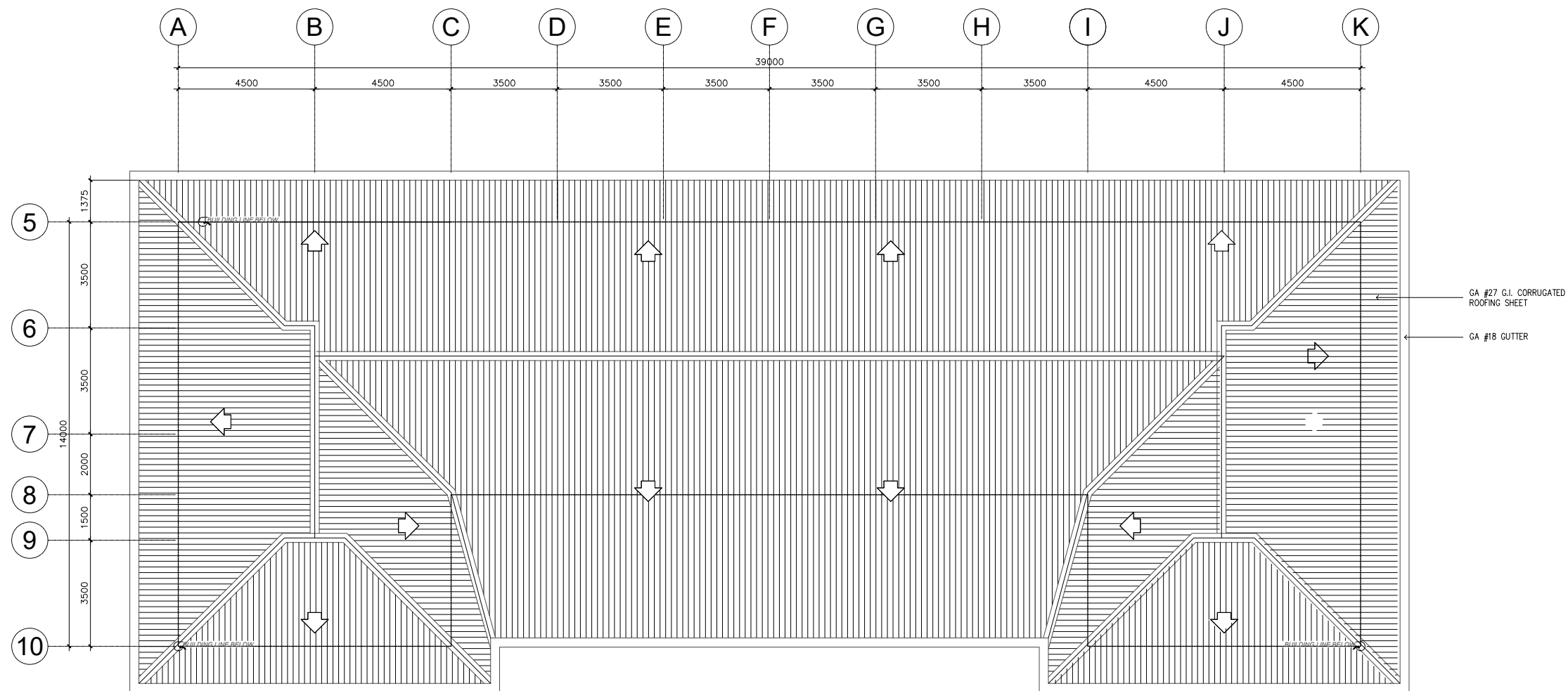
SHEET NO.:

A-1
7



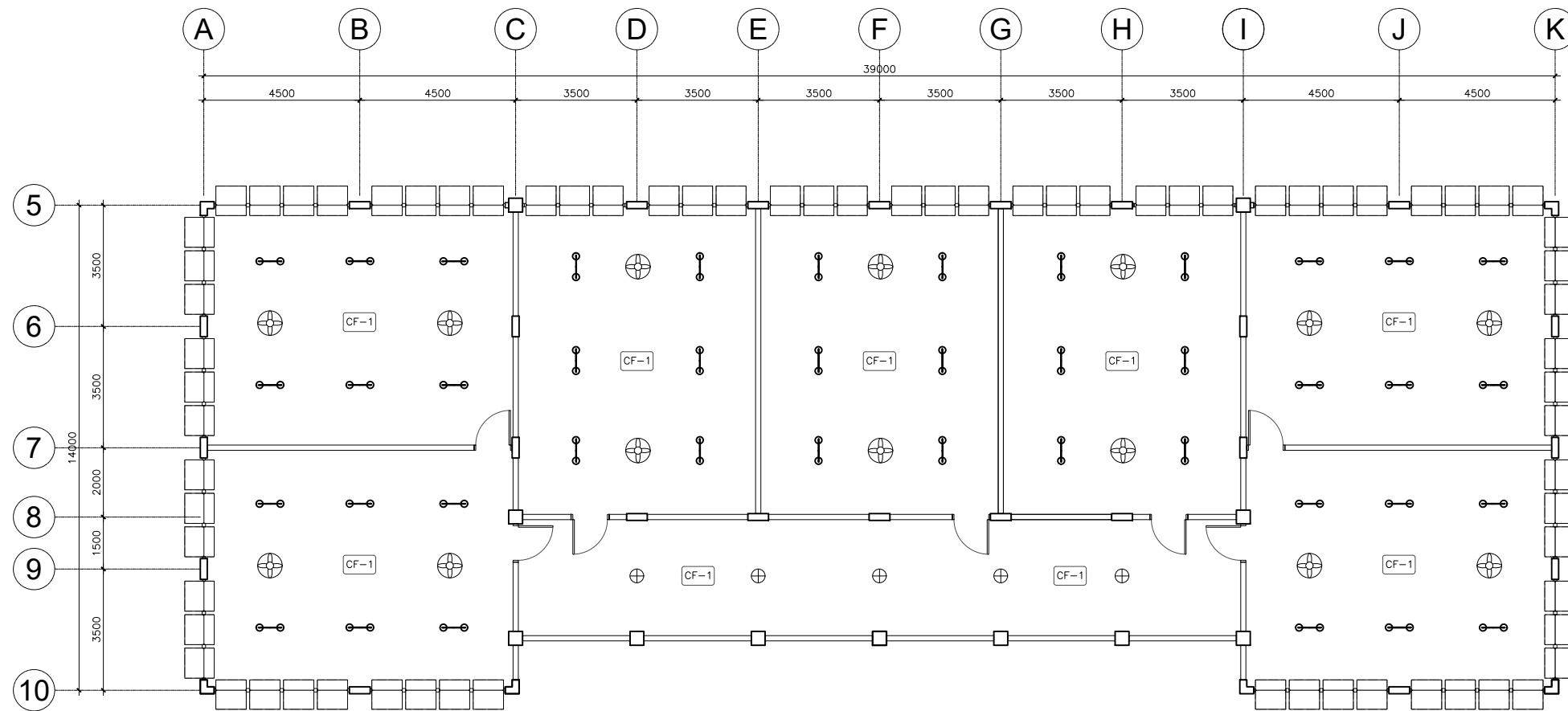
1 FLOOR PLAN
A-2 SCALE 1:150M

<p>RSIM BUILDERS AND CONSTRUCTION SERVICES, INC. Bacolod City, Negros Occidental</p> <p>MR. RICHIE B. GEROCHE GENERAL MANAGER</p>	<p>CHECKED BY :</p> <p>MELJAN I. TORRES DIVISION ENGINEER DepED</p>	<p>REVIEWED BY :</p> <p>MICHAEL T. RAPIZ Chief, SG00 DepED</p>	<p>APPROVED BY :</p> <p>Dr. SALVADOR O. OCHAVO, CESO VI SCHOOLS DIVISION SUPERINTENDENT DIVISION OF Aklan, DepED</p>	<p>PROJECT TITLE :</p> <p>RESTORATION OF GABALDON BUILDING IBAJAY CENTRAL SCHOOL</p> <p>LOCATION : New Washington Elementary School , Kalibo, Aklan</p>	<p>OWNER :</p> <p>DEPARTMENT OF EDUCATION DepED</p>	<p>SHEET CONTENTS :</p>	<p>SHEET NO:</p> <p>A-2 7</p>
--------------------------------------------------------------------------------------------------------------------------------------------------	------------------------------------------------------------------------------------	-------------------------------------------------------------------------------	-------------------------------------------------------------------------------------------------------------------------------------	------------------------------------------------------------------------------------------------------------------------------------------------------------------------	----------------------------------------------------------------	-------------------------	------------------------------------------



1 ROOF PLAN
A-3 SCALE 1:150M

<p>RSIM BUILDERS AND CONSTRUCTION SERVICES, INC. Bacolod City, Negros Occidental</p> <p>MR. RICHTIE B. GEROCHE GENERAL MANAGER</p>	<p>CHECKED BY :</p> <p>MELJAN I. TORRES DIVISION ENGINEER DepED</p>	<p>REVIEWED BY :</p> <p>MICHAEL T. RAPIZ Chief, SG00 DepED</p>	<p>APPROVED BY :</p> <p>Dr. SALVADOR O. OCHAVO, CESO VI SCHOOLS DIVISION SUPERINTENDENT DIVISION OF AKLAN, DepED</p>	<p>PROJECT TITLE :</p> <p>RESTORATION OF GABALDON BUILDING IBAJAY CENTRAL SCHOOL</p> <p>LOCATION : New Washington Elementary School , Kalibo, Aklan</p>	<p>OWNER :</p> <p>DEPARTMENT OF EDUCATION DepED</p>	<p>SHEET CONTENTS :</p>	<p>SHEET NO:</p> <p>A-3 7</p>
---------------------------------------------------------------------------------------------------------------------------------------------------	------------------------------------------------------------------------------------	-------------------------------------------------------------------------------	-------------------------------------------------------------------------------------------------------------------------------------	----------------------------------------------------------------------------------------------------------------------------------------------------------------	----------------------------------------------------------------	-------------------------	-------------------------------------------------



1 REFLECTED CEILING PLAN
 A-4 SCALE 1:150M

RSIM BUILDERS AND CONSTRUCTION SERVICES, INC.
 Bacolod City, Negros Occidental

MR. RICHIE B. GEROCHE
 GENERAL MANAGER

CHECKED BY :

MELJAN I. TORRES
 DIVISION ENGINEER
 DepED

REVIEWED BY :

MICHAEL T. RAPIZ
 Chief, SGOO
 DepED

APPROVED BY :

Dr. SALVADOR O. OCHAVO, CESO VI
 SCHOOLS DIVISION SUPERINTENDENT
 DIVISION OF AKLAN, DepED

PROJECT TITLE :

RESTORATION
 OF GABALDON BUILDING
 IBAJAY CENTRAL SCHOOL

LOCATION : New Washington Elementary School , Kalibo, Aklan

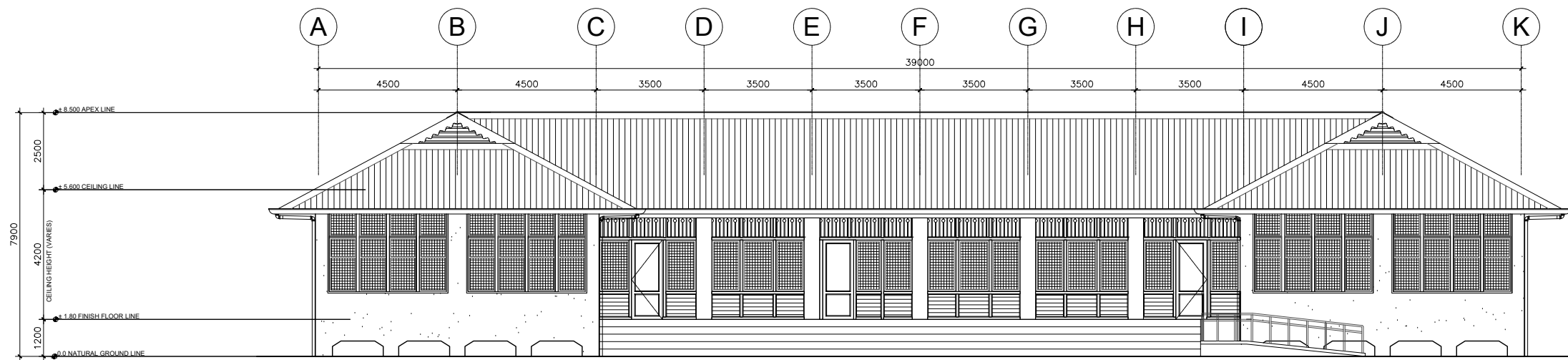
OWNER :

DEPARTMENT OF EDUCATION
 DepED

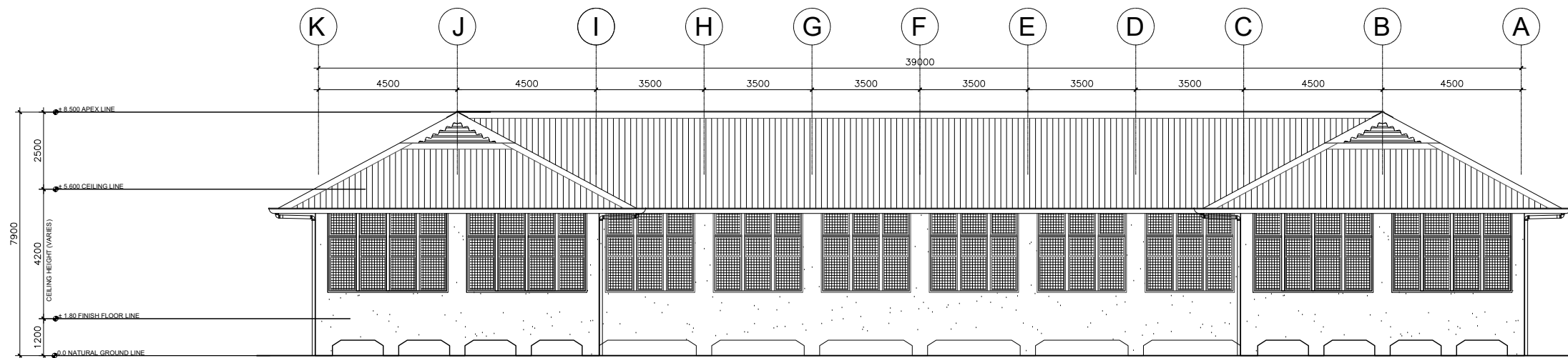
SHEET CONTENTS :

SHEET NO:

A-4
 7



1 FRONT ELEVATION
A-5 SCALE 1:100M



2 REAR ELEVATION
A-5 SCALE 1:100M

NOTE:
VERIFY ACTUAL DIMENSIONS/MEASUREMENTS

RSIM BUILDERS AND CONSTRUCTION SERVICES, INC.
Bacolod City, Negros Occidental

MR. RICHIE B. GEROCHE
GENERAL MANAGER

CHECKED BY :

MELJAN I. TORRES
DIVISION ENGINEER
DepED

REVIEWED BY :

MICHAEL T. RAPIZ
Chief, SG00
DepED

APPROVED BY :

Dr. SALVADOR O. OCHAVO, CESO VI
SCHOOLS DIVISION SUPERINTENDENT
DIVISION OF AKLAN, DepED

PROJECT TITLE :

RESTORATION
OF GABALDON BUILDING
IBAJAY CENTRAL SCHOOL

LOCATION : New Washington Elementary School , Kalibo, Aklan

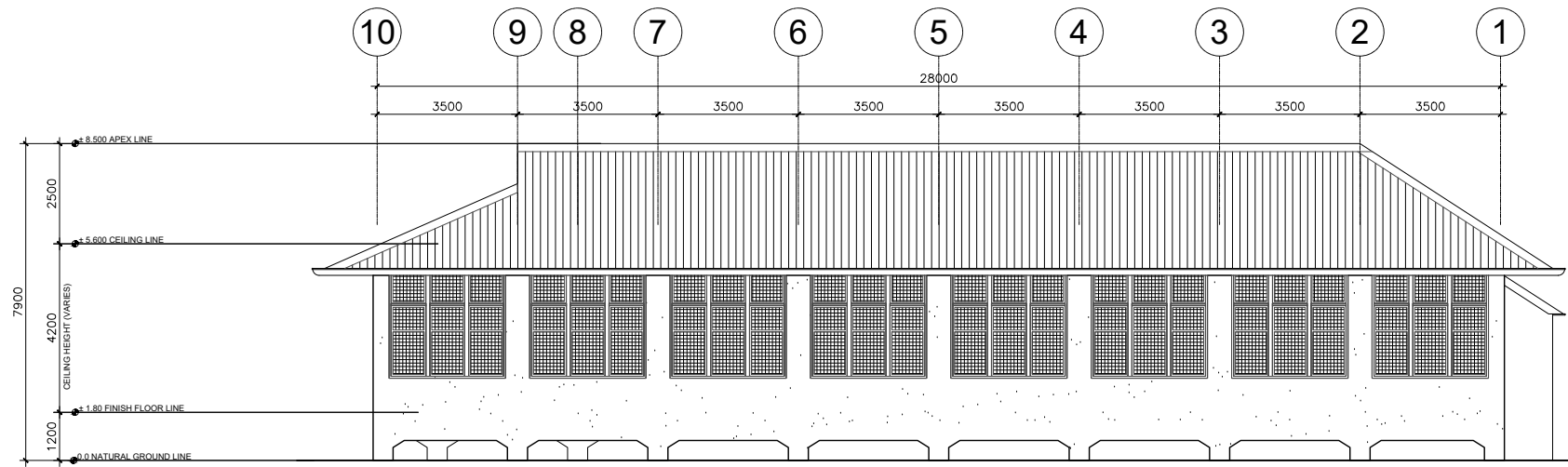
OWNER :

DEPARTMENT OF EDUCATION
DepED

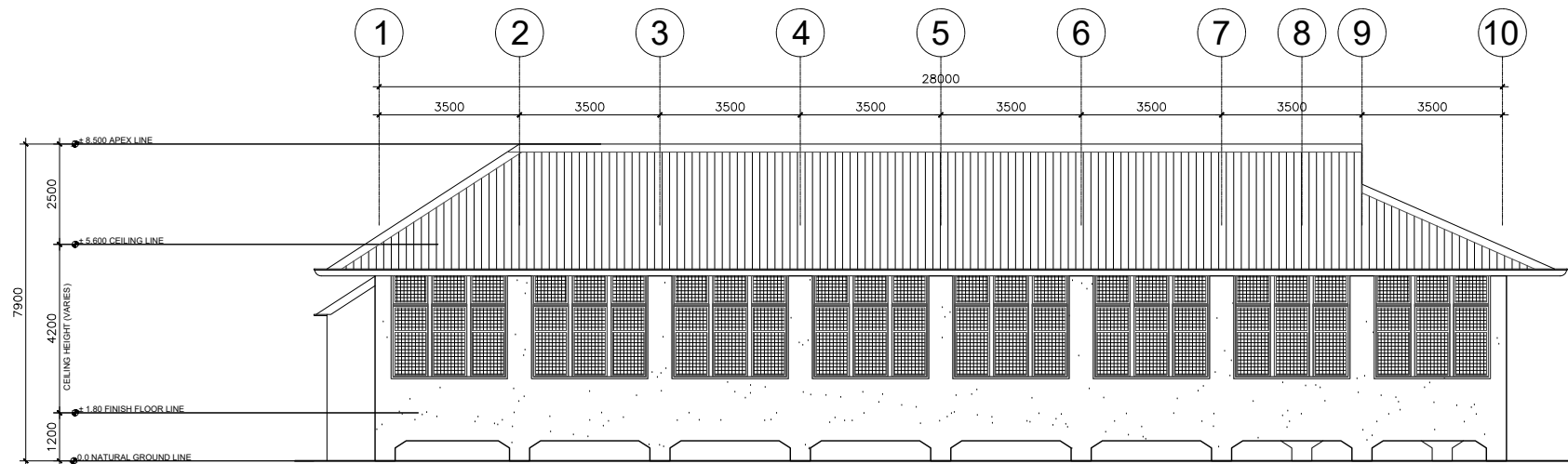
SHEET CONTENTS :

SHEET NO:

A-5
7



1 RIGHT SIDE ELEVATION
A-6 SCALE 1:100M



2 LEFT SIDE ELEVATION
A-6 SCALE 1:100M

NOTE:
VERIFY ACTUAL DIMENSIONS/MEASUREMENTS

RSIM BUILDERS AND CONSTRUCTION SERVICES, INC.
Bacolod City, Negros Occidental

MR. RICHIE B. GEROCHE
GENERAL MANAGER

CHECKED BY :

MELJAN I. TORRES
DIVISION ENGINEER
DepED

REVIEWED BY :

MICHAEL T. RAPIZ
Chief, SGOO
DepED

APPROVED BY :

Dr. SALVADOR O. OCHAVO, CESO VI
SCHOOLS DIVISION SUPERINTENDENT
DIVISION OF AKLAN, DepED

PROJECT TITLE :

RESTORATION
OF GABALDON BUILDING
IBAJAY CENTRAL SCHOOL

LOCATION : New Washington Elementary School , Kalibo, Aklan

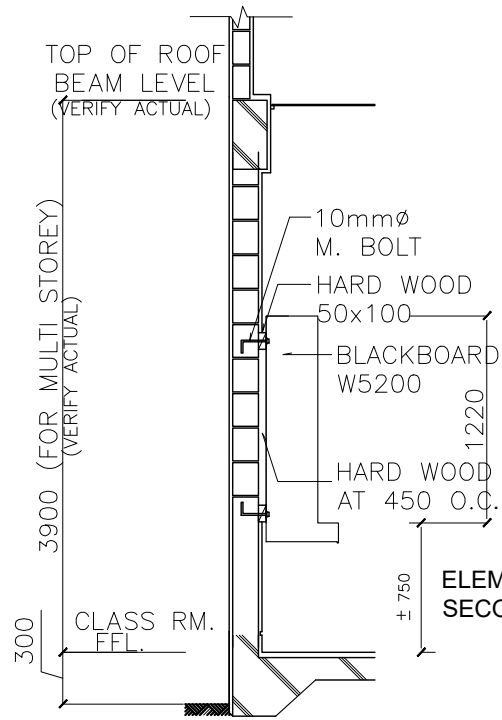
OWNER :

DEPARTMENT OF EDUCATION
DepED

SHEET CONTENTS :

SHEET NO:

A-6
7



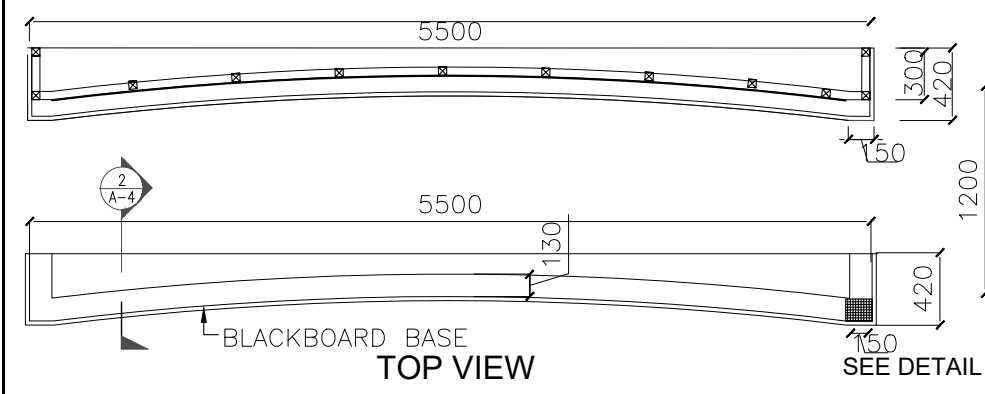
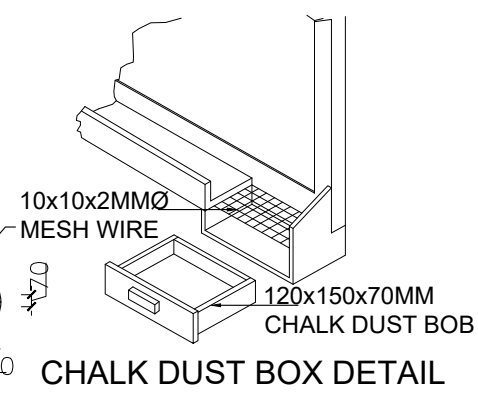
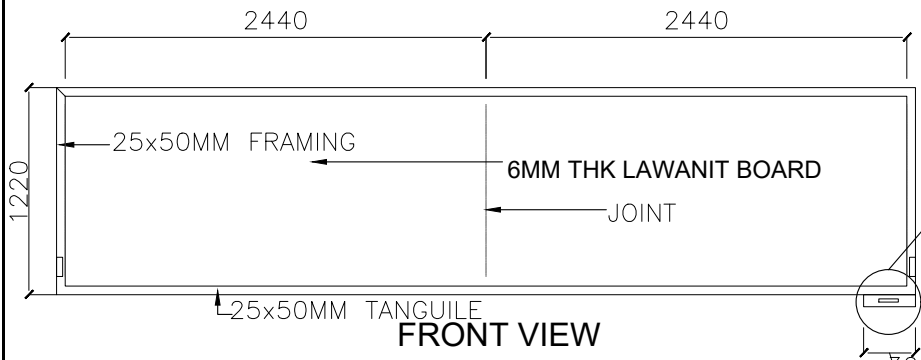
SPECIFICATION:

MATERIALS:
 -25x300mm SOLID TANGUILE OR EQUIVALENT WOOD FRAMES.
 -6mm THK LAWANIT BOARD

PROVIDE:
 -70x120x150mm CHALKDUST BOX
 -2Øx10x10mm MESHWIRE

FINISH:
 -FRAMING AND CHALKBOX PAINT WITH QUICK DRYING ENAMEL PAINT (BROWN)
 -BOARD PAINT WITH BLACKBOARD PAINT (GREEN) OR BLACKBOARD SLATE

2 CON. SECTION DET.
 A-8 SCALE 1:100M



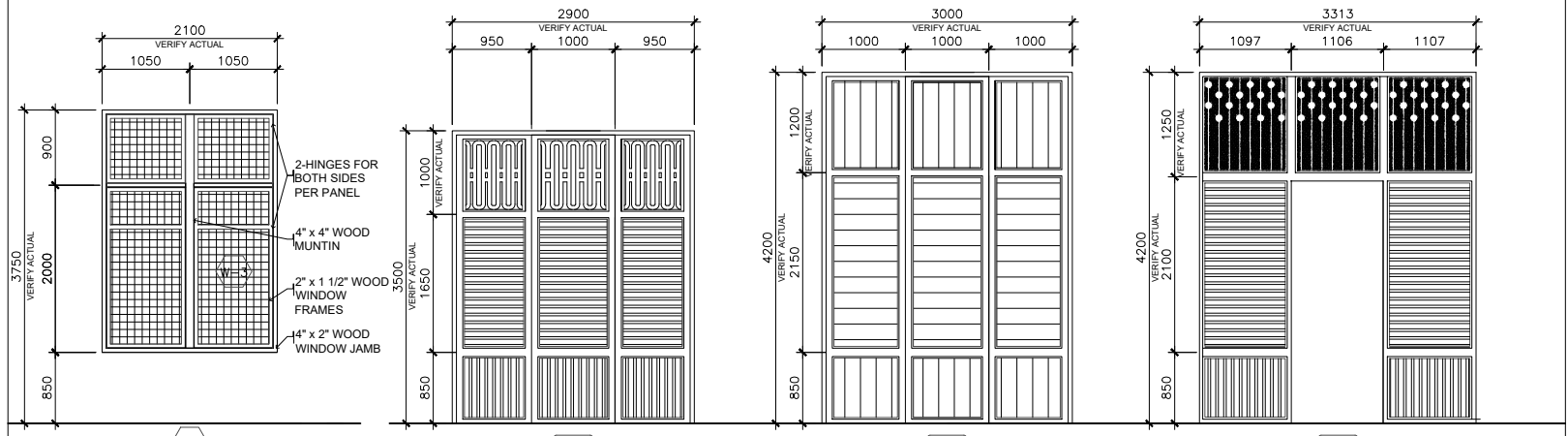
1 BLACKBOARD DETAIL
 A-5 SCALE 1:50M

- FF-1 25mm PLASTERED FINISH FLOORING W/ RED PATTERNED TILES
- FF-2 3/4" x 4" T&G TANGUILE WOOD FLOORING WITH TERMITE PROTECTION
- FF-3 100mm SLAB ON FILL (EXISTING)

- CF-1 3/4" x 4" T&G TANGUILE WOOD CEILING WITH TERMITE PROTECTION AND FIRE RATED
- CF-2 3/4" x 4" x 8" MARINE PLYWOOD WITH TERMITE PROTECTION AND APPROVED PAINT FINISH

4 FLOOR FINISHES
 A-5 SCALE NTS

6 CEILING FINISHES
 A-5 SCALE NTS



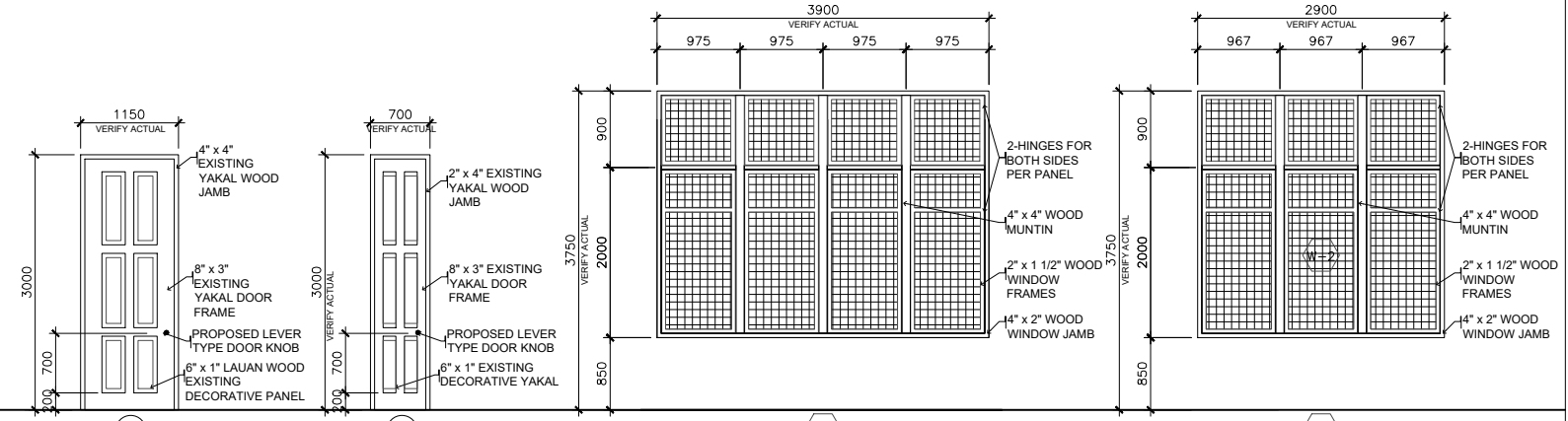
WINDOW TYPE: PIVOT TYPE / AWNING TYPE
SPECIFICATION: CAPIZ SHELLS ON S4S GUJO WOOD WINDOW FRAMES WITH TERMITE PROTECTION AND FIRE RATED (VERIFY APPROVED)
LOCATION: EXTERIOR WINDOWS

3/4" x 4" T&G TANGUILE WOOD WALL WITH GROOVE ON 2" x 4" WOOD FRAME. TERMITE PROTECTION AND FIRE RATED (VERIFY APPROVED)

3/4" x 4" T&G TANGUILE WOOD WALL WITH GROOVE ON 2" x 4" WOOD FRAME. TERMITE PROTECTION AND FIRE RATED (VERIFY APPROVED)

3/4" x 4" T&G TANGUILE WOOD WALL WITH GROOVE ON 2" x 4" WOOD FRAME. TERMITE PROTECTION AND FIRE RATED (VERIFY APPROVED)

5 WALL FINISHES
 A-5 SCALE NTS



WOOD: YAKAL WOOD
DOOR TYPE: EXISTING PANEL DOOR TYPE WITH COMPLETE ACCESSORIES
LOCATION: MAIN CLASSROOM ENTRANCE AND OFFICES

WOOD: YAKAL WOOD
DOOR TYPE: TREATED PANEL DOOR TYPE WITH COMPLETE ACCESSORIES
LOCATION: TOILETS

WINDOW TYPE: PIVOT TYPE / AWNING TYPE
SPECIFICATION: CAPIZ SHELLS ON S4S GUJO WOOD WINDOW FRAMES WITH TERMITE PROTECTION AND FIRE RATED (VERIFY APPROVED)
LOCATION: EXTERIOR WINDOWS

WINDOW TYPE: PIVOT TYPE / AWNING TYPE
SPECIFICATION: CAPIZ SHELLS ON S4S GUJO WOOD WINDOW FRAMES WITH TERMITE PROTECTION AND FIRE RATED (VERIFY APPROVED)
LOCATION: EXTERIOR WINDOWS

3 SCHEDULE OF DOORS AND WINDOWS
 A-5 SCALE 1:50M

RSIM BUILDERS AND CONSTRUCTION SERVICES, INC.
 Bacolod City, Negros Occidental

MR. RICHIE B. GEROCHÉ
 GENERAL MANAGER

CHECKED BY :
MELJAN I. TORRES
 DIVISION ENGINEER
 DepED

REVIEWED BY :
MICHAEL T. RAPIZ
 Chief, SGOO
 DepED

APPROVED BY :
Dr. SALVADOR O. OCHAVO, CESO VI
 SCHOOLS DIVISION SUPERINTENDENT
 DIVISION OF AKLAN, DepED

PROJECT TITLE :
RESTORATION OF GABALDON BUILDING IBAJAY CENTRAL SCHOOL
 LOCATION : New Washington Elementary School , Kalibo, Aklan

OWNER :
DEPARTMENT OF EDUCATION DepED

SHEET CONTENTS :
 SHEET NO:
A-7
7

1 LOAD SCHEDULE
SCALE: NTS

CKT. NO.	DESCRIPTION	VA LOAD	AMPS	CIRCUIT BREAKER				WIRE & CONDUIT SIZE
				VOLT	POLE	A T	A F	
1	CONV. OUTLET - 5 x 180W	1125	4.89	230	2	20	50	2 - 3.5 mm ² THHN + 1-3.5mm ² TW(G) IN 20mm Ø PVC
2	CONV. OUTLET - 10 x 180W	2250	9.78	230	2	20	50	2 - 3.5 mm ² THHN + 1-3.5mm ² TW(G) IN 20mm Ø PVC
3	CONV. OUTLET - 10 x 180W	2250	9.78	230	2	20	50	2 - 3.5 mm ² THHN + 1-3.5mm ² TW(G) IN 20mm Ø PVC
4	CONV. OUTLET - 9 x 180W	2025	8.80	230	2	20	50	2 - 3.5 mm ² THHN + 1-3.5mm ² TW(G) IN 20mm Ø PVC
5	CONV. OUTLET - 10 x 180W	2250	9.78	230	2	20	50	2 - 3.5 mm ² THHN + 1-3.5mm ² TW(G) IN 20mm Ø PVC
6	CONV. OUTLET - 8 x 180W	1800	7.83	230	2	20	50	2 - 3.5 mm ² THHN + 1-3.5mm ² TW(G) IN 20mm Ø PVC
7	LIGHT OUTLET - 16 x 80W FAN OUTLET - 7 x 180W	3175	13.80	230	2	20	50	2 - 3.5 mm ² THHN IN 20mm Ø PVC
8	LIGHT OUTLET - 10 x 80W LIGHT OUTLET - 6 x 20W FAN OUTLET - 3 x 180W	1895	7.93	230	2	20	50	2 - 3.5 mm ² THHN IN 20mm Ø PVC
9	LIGHT OUTLET - 18 x 80W LIGHT OUTLET - 3 x 20W FAN OUTLET - 6 x 180W	3225	14.02	230	2	20	50	2 - 3.5 mm ² THHN IN 20mm Ø PVC
10	LIGHT OUTLET - 12 x 80W LIGHT OUTLET - 1 x 20W FAN OUTLET - 4 x 180W	2125	9.24	230	2	20	50	2 - 3.5 mm ² THHN IN 20mm Ø PVC
11	FIRE ALARM	300	1.30	230	2	20	50	2 - 3.5 mm ² THHN IN 20mm Ø PVC
12	SPARE	1500	6.52	230	2	20	50	20 mm Ø STUB-OUT CONDUIT
13	SPARE	1500	6.52	230	2	20	50	20 mm Ø STUB-OUT CONDUIT
TOTAL		25,420VA						

IL @ 80%DF = $\frac{25,420 \text{ VA}}{230 \text{ V}} (0.80) = 88.42 \text{ A}$

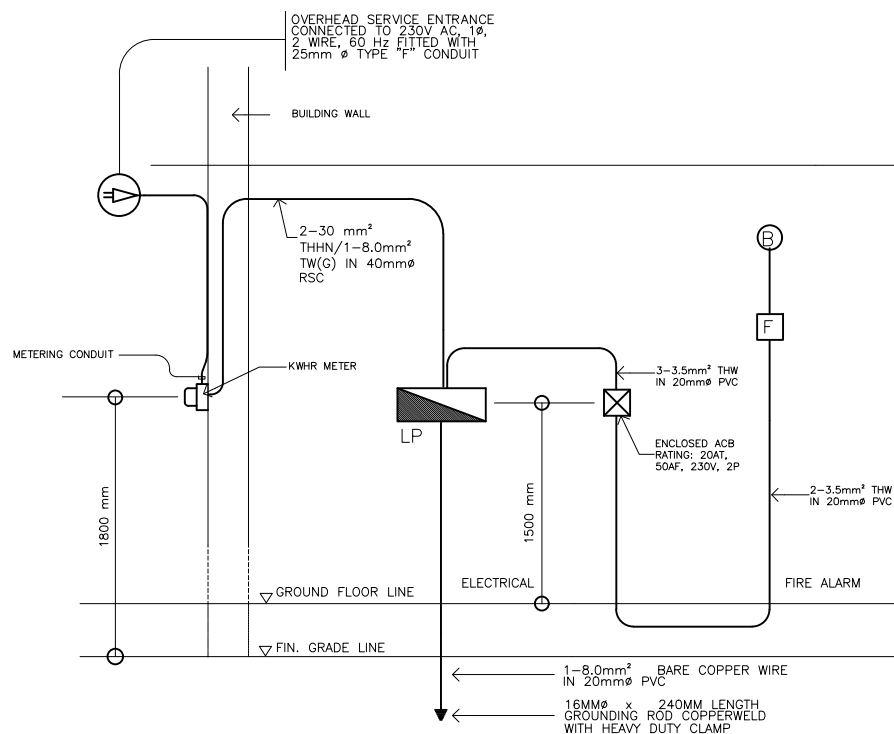
FEEDER : 2 - 30mm² THHN + 1 - 8.0 mm² TW (G) IN 40mm Ø RSC
PROTECTION : MAIN : 100AT/100AF, 2P, 230V, 25KAIC, BOLT-ON
BRANCHER : 13 x 20AT, 2P, BOLT-ON IN NEMA 1 ENCLOSURE

GENERAL NOTES

- ALL ELECTRICAL WORKS SHALL COMPLY IN ACCORDANCE WITH THESE PLANS AND SPECIFICATIONS. THE APPLICABLE PROVISIONS OF THE LATEST EDITION OF THE PHILIPPINE ELECTRICAL CODE (PEC). THE RULES AND REGULATIONS OF THE LOCAL ENFORCING AUTHORITY AND THE REQUIREMENTS OF THE LOCAL POWER COMPANY. THE ELECTRICAL WORKS SHALL BE UNDER THE IMMEDIATE SUPERVISION OF A DULY REGISTERED ELECTRICAL ENGINEER.
- THE ELECTRICAL SERVICE POWER IS 1-PHASE, 2-WIRE + GROUND 230 V AC, 60 Hz.
- WIRING METHOD SHALL BE AS FOLLOWS :
 - FEEDERS AND RISERS - RIGID STEEL CONDUIT
 - LIGHTING, POWER RECEPTACLE - POLYVINYL CHLORIDE CONDUIT THICK WALL
 - BRANCH CKT., & AUXILIARY - POLYVINYL CHLORIDE THICK WALL
- ALL WIRES SHALL BE COPPER AND THERMOPLASTIC INSULATED TYPE "THHN" UNLESS OTHERWISE INDICATED IN THE PLAN. THE MINIMUM SIZE OF WIRE FOR POWER AND LIGHTING CIRCUIT HOMERUN SHALL BE 3.5mm² AND INSULATED FOR 600 VOLTS. SMALLEST RACEWAY SHALL BE 20mm Ø TRADE/NOMINAL SIZE.
- ALL OUTLET BOXES SHALL BE POLYVINYL CHLORIDE (PVC) TYPE WITH FACTORY KNOCKOUTS.
- ALL MATERIALS TO BE USED SHALL BE BRAND NEW AND APPROVED TYPE FOR THE PARTICULAR LOCATION AND PURPOSE OF USAGE.
- EQUIPMENT GROUNDING SYSTEM SHALL BE PROVIDED TO THE ELECTRICAL SYSTEM AS PER PHILIPPINE ELECTRICAL CODE REQUIREMENT.
- MOUNTING HEIGHT OF WIRING DEVICES SHALL BE AS FOLLOWS :
 - LIGHT SWITCH - 1.20 M ABOVE FINISH FLOOR
 - CONVENIENCE OUTLET - 0.30 M ABOVE FINISH FLOOR.
 - PANELBOARD - 1.80 M ABOVE FINISH FLOOR
 - FIRE ALARM STATION OUTLET - 1.50 M. ABOVE FINISH FLOOR
 - PUSH BUTTON OUTLET - 1.20 M ABOVE FINISH FLOOR
 - FIRE ALARM & VIBRATING BELL - 0.30 M BELOW CEILING LINE

LEGEND

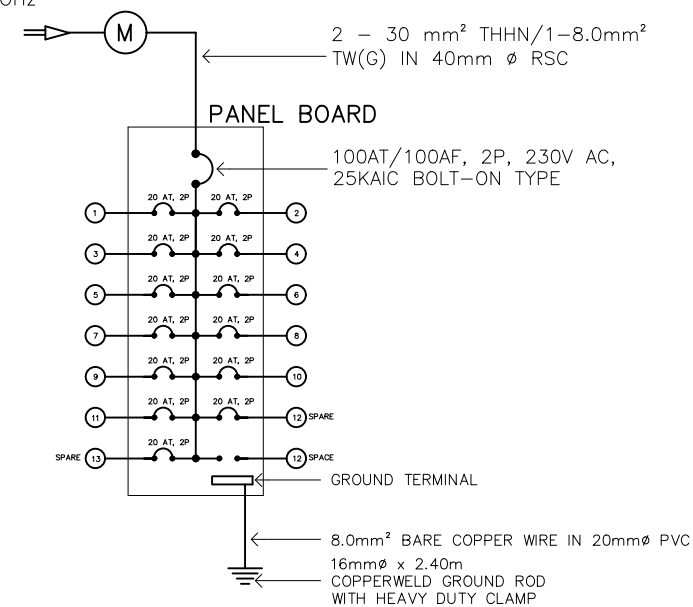
SYMBOL	DESCRIPTION
Sa	ONE GANG DEVICE SWITCH
Sab	TWO GANG DEVICE SWITCH
Scde	THREE GANG DEVICE SWITCH
3WSx	THREE WAY ONE GANG DEVICE SWITCH
SF	FAN CONTROL SWITCH
	ORBIT FAN OUTLET
	RACEWAY CONDUIT CONCEALED IN CEILING
	RACEWAY CONDUIT CONCEALED UNDER FLOOR
	PANELBOARD, MARKED AS "MDP/DPA/DPB"
	CKT. BREAKER, RATING AS INDICATED
	DUPLEX CONVENIENCE OUTLET, UNIVERSAL SLOTS, GROUNDING TYPE, 16 AMPS, 250 VOLT
	WEATHERPROOF DUPLEX CONVENIENCE OUTLET, UNIVERSAL SLOTS, GROUNDING TYPE, 16 AMPS, 250 VOLT
	EMERGENCY LIGHT OUTLET, SIMPLEX
	CIRCUIT HOMERUN
	ENCLOSED CIRCUIT BREAKER
	FIRE ALARM CONTROL PANEL
	FIRE ALARM STATION OUTLET
	VIBRATING BELL OUTLET
	FIRE ALARM BELL
	SERVICE METER
	SERVICE ENTRANCE



3 SINGLE LINE DIAGRAM
SCALE: NTS

SERVICE ENTRANCE

1Ø, 230V, 2-WIRE + GROUND, 60Hz



2 RISER DIAGRAM
SCALE: NTS

RSIM BUILDERS AND CONSTRUCTION SERVICES, INC.
Bacolod City, Negros Occidental

MR. RICHIE B. GEROCHÉ
GENERAL MANAGER

CHECKED BY :

MELJAN I. TORRES
DIVISION ENGINEER
DepED

REVIEWED BY :

MICHAEL T. RAPIZ
Chief, SGOO
DepED

APPROVED BY :

Dr. SALVADOR O. OCHAVO, CESO VI
SCHOOLS DIVISION SUPERINTENDENT
DIVISION OF AKLAN, DepED

PROJECT TITLE :

RESTORATION
OF GABALDON BUILDING
IBAJAY CENTRAL SCHOOL

LOCATION : New Washington Elementary School , Kalibo, Aklan

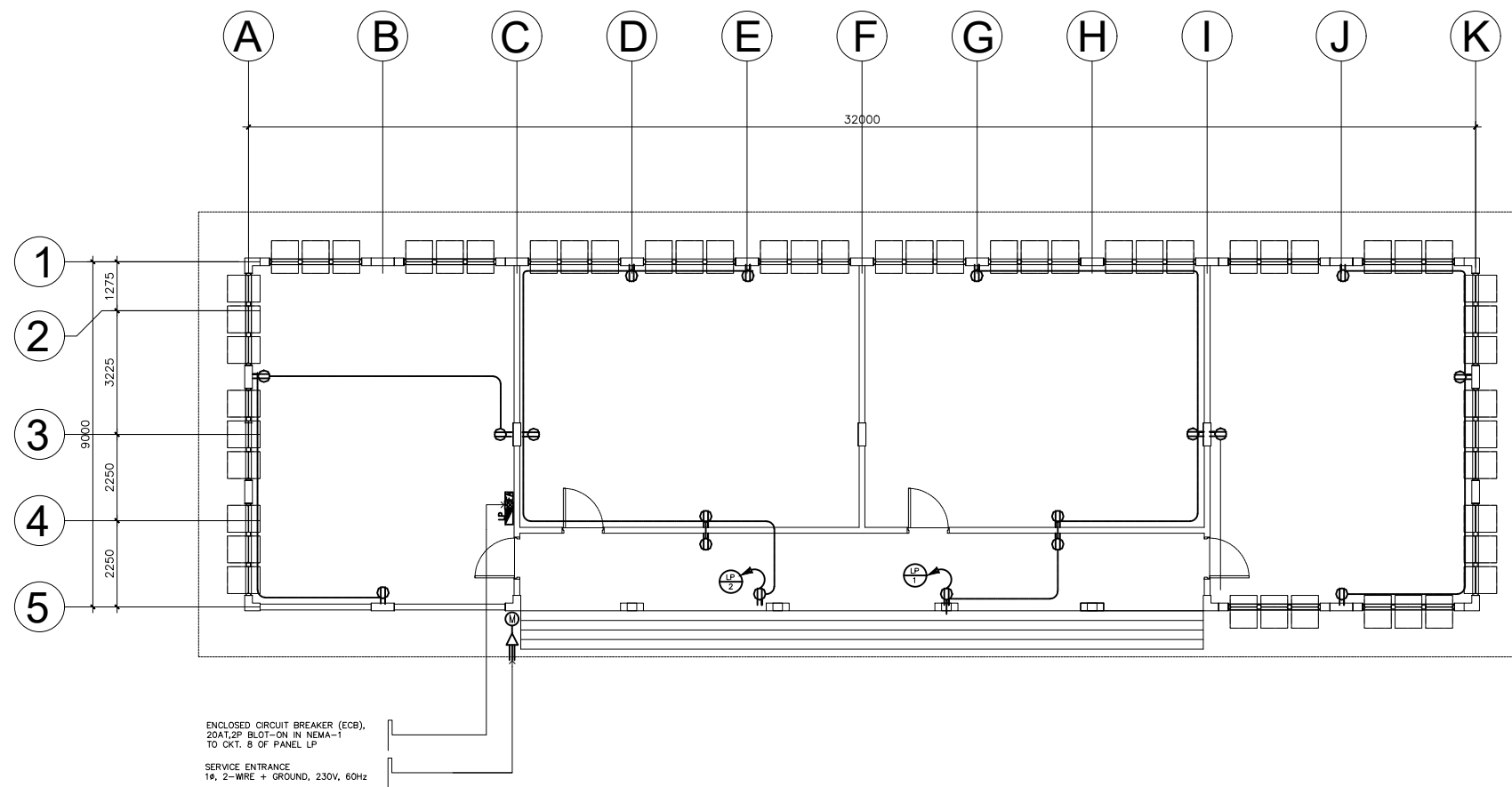
OWNER :

DEPARTMENT OF EDUCATION
DepED

SHEET CONTENTS :

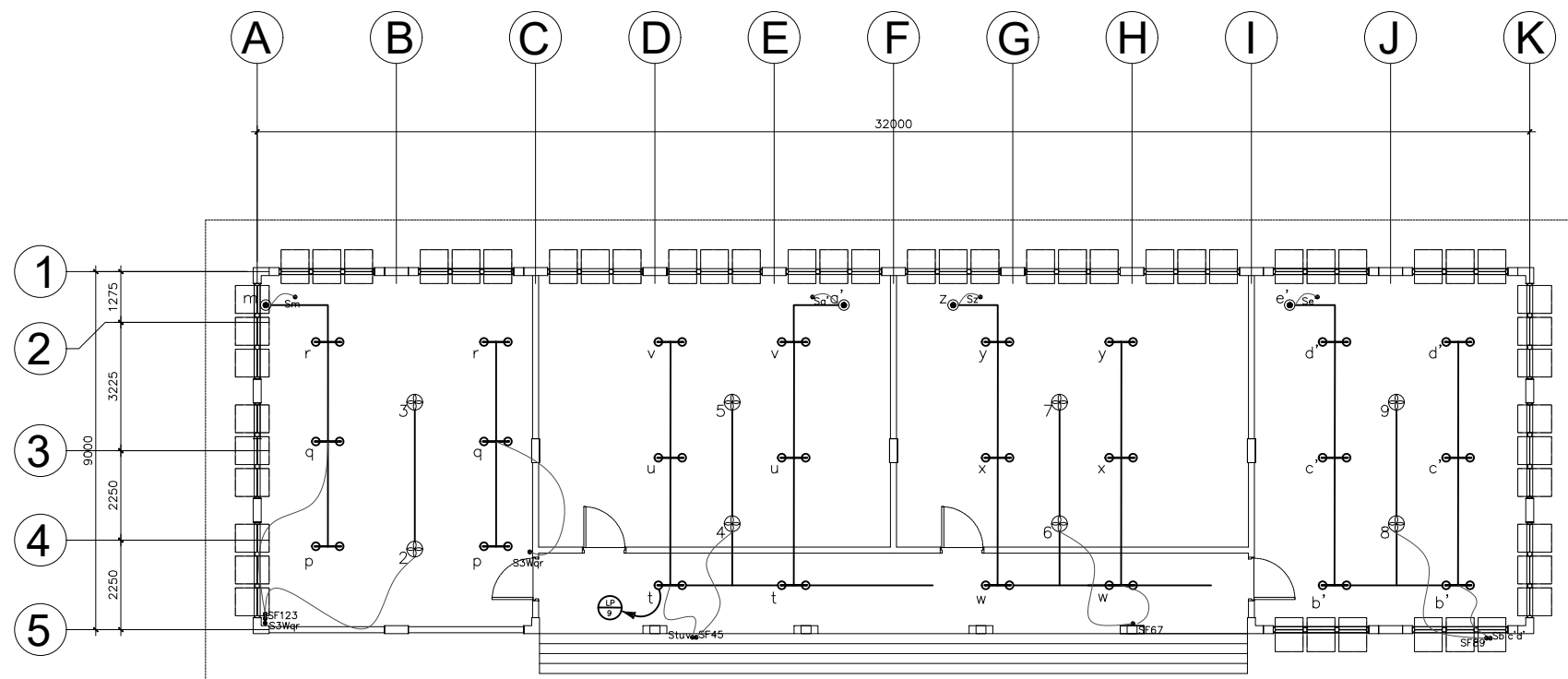
SHEET NO:

E-1
3



1 POWER LAYOUT
E-2 SCALE : 1:100M

RSIM BUILDERS AND CONSTRUCTION SERVICES, INC. Bacolod City, Negros Occidental MR. RICHTIE B. GEROCHÉ GENERAL MANAGER	CHECKED BY :	REVIEWED BY :	APPROVED BY :	PROJECT TITLE :	OWNER :	SHEET CONTENTS :	SHEET NO.:
	MELJAN I. TORRES DIVISION ENGINEER DepED	MICHAEL T. RAPIZ Chief, SGOO DepED	Dr. SALVADOR O. OCHAVO, CESO VI SCHOOLS DIVISION SUPERINTENDENT DIVISION OF AKLAN, DepED	RESTORATION OF GABALDON BUILDING IBAJAY CENTRAL SCHOOL LOCATION : New Washington Elementary School , Kalibo, Aklan	DEPARTMENT OF EDUCATION DepED		E-2 3



1 LIGHTING LAYOUT
E-3 SCALE : 1:100M

LAMPS TO BE USED:

⊕ - 20WATTS LIGHTS on 300mm diameter globe diffuser w/ metal hanger (hallway)

⊖ — ⊖ - 2 x 40WATTS lights on 300mm diameter reflectorized bowl-type housing

<p>RSIM BUILDERS AND CONSTRUCTION SERVICES, INC. Bacolod City, Negros Occidental</p> <p>MR. RICHTIE B. GEROCHE GENERAL MANAGER</p>	<p>CHECKED BY :</p> <p>MELJAN I. TORRES DIVISION ENGINEER DepED</p>	<p>REVIEWED BY :</p> <p>MICHAEL T. RAPIZ Chief, SGOO DepED</p>	<p>APPROVED BY :</p> <p>Dr. SALVADOR O. OCHAVO, CESO VI SCHOOLS DIVISION SUPERINTENDENT DIVISION OF AKLAN, DepED</p>	<p>PROJECT TITLE :</p> <p>RESTORATION OF GABALDON BUILDING IBAJAY CENTRAL SCHOOL</p> <p>LOCATION : New Washington Elementary School , Kalibo, Aklan</p>	<p>OWNER :</p> <p>DEPARTMENT OF EDUCATION DepED</p>	<p>SHEET CONTENTS :</p>	<p>SHEET NO:</p> <p>E-3 3</p>
---------------------------------------------------------------------------------------------------------------------------------------------------	------------------------------------------------------------------------------------	-------------------------------------------------------------------------------	-------------------------------------------------------------------------------------------------------------------------------------	----------------------------------------------------------------------------------------------------------------------------------------------------------------	----------------------------------------------------------------	-------------------------	------------------------------------------