

REPUBLIC OF THE PHILIPPINES
 DEPARTMENT OF EDUCATION
 CY 2022 BASIC EDUCATIONAL FACILITIES FUND
 PROVISION OF SCHOOL FURNITURE - 75% Allocation for Regular Supplier

Summary

Division	No. of Sites	Elem. (Grade I-III) Individual Learner Table & Chair Set	Elem. (Grade IV-VI) Individual Learner Table & Chair Set	Elem. Individual Learner Table & Chair Set	JHS Individual Learner Table & Chair Set	SHS Individual Learner Table & Chair Set	Teacher's Table & Chair Set
Biliran	4	45	90	135	1757	0	42
Eastern Samar	16	990	1485	2475	1980	0	99
Leyte	69	5175	7785	12960	4095	0	379
Northern Samar	36	2700	4050	6750	1800	0	190
Samar (Western Samar)	49	2655	4050	6705	4995	1080	287
Southern Leyte	20	720	1125	1845	4005	200	135
Grand Total	194	12285	18585	30870	18632	1280	1132

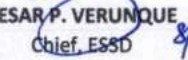
Prepared by:


Checked by:

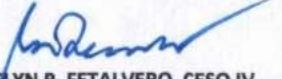
Recommending Approval:

Approved:


 ENGR. RYAN JAY L. BAGON
 Regional Engineer, Head -EFS


 CESAR P. VERUNQUE
 Chief, ESSD 8/29/23


 RONELO AL K. FIRMO PhD, CESO V
 Assistant Regional Director


 EVELYN R. FETALVERO, CESO IV
 Regional Director

REPUBLIC OF THE PHILIPPINES
 DEPARTMENT OF EDUCATION
 CY 2022 BASIC EDUCATIONAL FACILITIES FUND
 PROVISION OF SCHOOL FURNITURE - 75% Allocation for Regular Supplier

Cluster 1

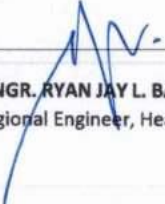
Division	No. of Sites	Elem. (Grade I-III) Individual Learner Table & Chair Set	Elem. (Grade IV-VI) Individual Learner Table & Chair Set	Elem. Individual Learner Table & Chair Set	JHS Individual Learner Table & Chair Set	SHS Individual Learner Table & Chair Set	Teacher's Table & Chair Set
Biliran	4	45	90	135	1757	0	42
Leyte	69	5175	7785	12960	4095	0	379
Southern Leyte	20	720	1125	1845	4005	200	135
Grand Total	93	5940	9000	14940	9857	200	556

Prepared by:


Checked by:

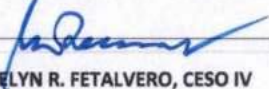
Recommending Approval:

Approved:


 ENGR. RYAN JAY L. BAGON
 Regional Engineer, Head -EFS


 CESAR P. VERUNQUE
 Chief, ESSD 8/29/22


 RONELO AL K. FIRMO PhD, CESO V
 Assistant Regional Director


 EVELYN R. FETALVERO, CESO IV
 Regional Director

REPUBLIC OF THE PHILIPPINES
 DEPARTMENT OF EDUCATION
 CY 2022 BASIC EDUCATIONAL FACILITIES FUND
 PROVISION OF SCHOOL FURNITURE - 75% Allocation for Regular Supplier

Cluster 2

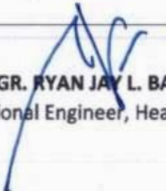
Division	No. of Sites	Elem. (Grade I-III) Individual Learner Table & Chair Set	Elem. (Grade IV-VI) Individual Learner Table & Chair Set	Elem. Individual Learner Table & Chair Set	JHS Individual Learner Table & Chair Set	SHS Individual Learner Table & Chair Set	Teacher's Table & Chair Set	Approved Budget for Contract
Eastern Samar	16	990	1485	2475	1980	0	99	14335200
Northern Samar	36	2700	4050	6750	1800	0	190	27512000
Samar (Western Samar)	49	2655	4050	6705	4995	1080	287	41139100
Grand Total	101	6345	9585	15930	8775	1080	576	82,986,300.00

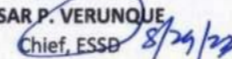
Prepared by:


Checked by:

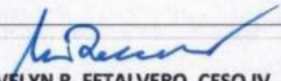
Recommending Approval:

Approved:


 ENGR. RYAN JAY L. BAGON
 Regional Engineer, Head -EFS


 CESAR P. VERUNOQUE
 Chief, ESSB 8/24/22


 RONELO AL K. FIRMO PhD, CESO V
 Assistant Regional Director


 EVELYN R. FETALVERO, CESO IV
 Regional Director

REPUBLIC OF THE PHILIPPINES
DEPARTMENT OF EDUCATION
CY 2022 BASIC EDUCATIONAL FACILITIES FUND
PROVISION OF SCHOOL FURNITURE - 75% Allocation for Regular Supplier

Region	Division	School ID	School Name	Municipality	LD	No. of Sites	Elem. (Grade I-III) Individual Learner Table & Chair Set	Elem. (Grade IV-VI) Individual Learner Table & Chair Set	Elem. Individual Learner Table & Chair Set	JHS Individual Learner Table & Chair Set	SHS Individual Learner Table & Chair Set	Teacher's Table & Chair Set	Cluster
Region VIII	Biliran	120804	Katipunan ES	CAIBIRAN	0	1	45	90	135	-	-	3	1
Region VIII	Biliran	313203	ICT High School of Eastern Biliran	CAIBIRAN	0	1			-	900	-	20	1
Region VIII	Biliran	303321	Bool NHS	CULABA	0	1			-	720	-	16	1
Region VIII	Biliran	303326	Kawayan National High School	KAWAYAN	0	1			-	137	-	3	1
Region VIII	Eastern Samar	122498	San Isidro Elementary School	HERNANI	0	1	90	135	225	-	-	5	2
Region VIII	Eastern Samar	303505	Pedro E. Candido Memorial National High School	HERNANI	0	1			-	360	-	8	2
Region VIII	Eastern Samar	122470	Tangbo Elementary School	MASLOG	0	1	90	135	225	-	-	5	2
Region VIII	Eastern Samar	303515	Maslog National High School	MASLOG	0	1			-	360	-	8	2
Region VIII	Eastern Samar	303518	Mercedes National High School	MERCEDES	0	1			-	315	-	7	2
Region VIII	Eastern Samar	122696	Lusod Elementary School	SALCEDO	0	1	90	135	225	-	-	5	2
Region VIII	Eastern Samar	122701	Seguinon Elementary School	SALCEDO	0	1	90	135	225	-	-	5	2
Region VIII	Eastern Samar	122704	Alog Elementary School	SALCEDO	0	1	90	135	225	-	-	5	2
Region VIII	Eastern Samar	122709	Bugay Elementary School	SALCEDO	0	1	90	135	225	-	-	5	2
Region VIII	Eastern Samar	122715	Guba Elementary School	SALCEDO	0	1	90	135	225	-	-	5	2
Region VIII	Eastern Samar	122716	Jagnaya Elementary School	SALCEDO	0	1	90	135	225	-	-	5	2
Region VIII	Eastern Samar	122719	Sta. Cruz Elementary School	SALCEDO	0	1	90	135	225	-	-	5	2
Region VIII	Eastern Samar	313509	Salcedo Vocational High School	SALCEDO	0	1			-	360	-	8	2
Region VIII	Eastern Samar	122729	Putong Elementary School	SAN JULIAN	0	1	90	135	225	-	-	5	2
Region VIII	Eastern Samar	122745	Tanauan Elementary School	SAN POLICARPO	0	1	90	135	225	-	-	5	2
Region VIII	Eastern Samar	303523	Samar National Pilot Opportunity School of Agriculture	SAN POLICARPO	0	1			-	585	-	13	2
Region VIII	Leyte	121878	San Miguelay Elementary School	SANTA FE	1	1	90	135	225	-	-	5	1
Region VIII	Leyte	305523	Sta. Fe Stand Alone Senior High School	SANTA FE	1	1			-	450	-	10	1
Region VIII	Leyte	121948	Cantariwis Elementary School	TOLOSA	1	1	90	135	225	-	-	5	1
Region VIII	Leyte	303391	Daniel Z. Romualdez State Comprehensive School of Fisheries	TOLOSA	1	1			-	315	-	7	1
Region VIII	Leyte	303440	Tolosa National High School	TOLOSA	1	1			-	405	-	9	1
Region VIII	Leyte	121518	Balante Primary School	JULITA	2	1	90	135	225	-	-	5	1

REPUBLIC OF THE PHILIPPINES
 DEPARTMENT OF EDUCATION
 CY 2022 BASIC EDUCATIONAL FACILITIES FUND
 PROVISION OF SCHOOL FURNITURE - 75% Allocation for Regular Supplier

Region	Division	School ID	School Name	Municipality	LD	No. of Sites	Elem. (Grade I-III) Individual Learner Table & Chair Set	Elem. (Grade IV-VI) Individual Learner Table & Chair Set	Elem. Individual Learner Table & Chair Set	JHS Individual Learner Table & Chair Set	SHS Individual Learner Table & Chair Set	Teacher's Table & Chair Set	Cluster
Region VIII	Leyte	121521	Caridad Primary School	JULITA	2	1	90	135	225	-	-	5	1
Region VIII	Leyte	121524	Gitabla Primary School	JULITA	2	1	90	135	225	-	-	5	1
Region VIII	Leyte	121526	Inawangang Primary School	JULITA	2	1	90	135	225	-	-	5	1
Region VIII	Leyte	121531	Tagkip Primary School	JULITA	2	1	90	135	225	-	-	5	1
Region VIII	Leyte	191514	Bugho Primary School	JULITA	2	1	90	135	225	-	-	5	1
Region VIII	Leyte	191538	Bonifacio Primary School	JULITA	2	1	90	135	225	-	-	5	1
Region VIII	Leyte	121559	Bongtod Primary School	LA PAZ	2	1	90	135	225	-	-	5	1
Region VIII	Leyte	121561	Caabangan Elementary School	LA PAZ	2	1	90	135	225	-	-	5	1
Region VIII	Leyte	121563	Cacao Primary School	LA PAZ	2	1	90	135	225	-	-	5	1
Region VIII	Leyte	121565	Caltayan Primary School	LA PAZ	2	1	90	135	225	-	-	5	1
Region VIII	Leyte	121566	Canbarez Primary School	LA PAZ	2	1	90	135	225	-	-	5	1
Region VIII	Leyte	121567	Cogon Primary School	LA PAZ	2	1	90	135	225	-	-	5	1
Region VIII	Leyte	121569	Gimiranat East Elementary School	LA PAZ	2	1	90	135	225	-	-	5	1
Region VIII	Leyte	121570	Gimiranat West Elementary School	LA PAZ	2	1	90	135	225	-	-	5	1
Region VIII	Leyte	121571	Jacinta Vivero Memorial Primary School	LA PAZ	2	1	90	135	225	-	-	5	1
Region VIII	Leyte	121575	Miguel Gernale Memorial Primary School	LA PAZ	2	1	90	135	225	-	-	5	1
Region VIII	Leyte	121577	Moroboro Elementary School	LA PAZ	2	1	90	135	225	-	-	5	1
Region VIII	Leyte	121578	Nicasio Vivero Memorial Primary School	LA PAZ	2	1	90	135	225	-	-	5	1
Region VIII	Leyte	121579	Pansud Elementary School	LA PAZ	2	1	90	135	225	-	-	5	1
Region VIII	Leyte	121581	Piliway Primary School	LA PAZ	2	1	90	135	225	-	-	5	1
Region VIII	Leyte	121585	Tarugan Primary School	LA PAZ	2	1	90	135	225	-	-	5	1
Region VIII	Leyte	313332	Buracan National High School	LA PAZ	2	1			-	225	-	5	1
Region VIII	Leyte	121618	Causwagan Elementary School	MACARTHUR	2	1	90	135	225	-	-	5	1
Region VIII	Leyte	191529	Gen. Luna Elementary School	MACARTHUR	2	1	90	135	225	-	-	5	1
Region VIII	Leyte	191530	Lanauan Elementary School	MACARTHUR	2	1	90	135	225	-	-	5	1
Region VIII	Leyte	191539	Quezon Elementary School	MACARTHUR	2	1	90	135	225	-	-	5	1
Region VIII	Leyte	191556	Burabod Primary School	MACARTHUR	2	1	90	135	225	-	-	5	1

REPUBLIC OF THE PHILIPPINES
 DEPARTMENT OF EDUCATION
 CY 2022 BASIC EDUCATIONAL FACILITIES FUND
 PROVISION OF SCHOOL FURNITURE - 75% Allocation for Regular Supplier

Region	Division	School ID	School Name	Municipality	LD	No. of Sites	Elem. (Grade I-III) Individual Learner Table & Chair Set	Elem. (Grade IV-VI) Individual Learner Table & Chair Set	Elem. Individual Learner Table & Chair Set	JHS Individual Learner Table & Chair Set	SHS Individual Learner Table & Chair Set	Teacher's Table & Chair Set	Cluster
Region VIII	Leyte	191564	Kiling Elementary School	MACARTHUR	2	1	90	135	225	-	-	5	1
Region VIII	Leyte	191565	San Pedro Elementary School	MACARTHUR	2	1	90	135	225	-	-	5	1
Region VIII	Leyte	191568	Prisco A. Pille Elementary School	MACARTHUR	2	1	90	135	225	-	-	5	1
Region VIII	Leyte	191575	Salvacion Elementary School	MACARTHUR	2	1	90	135	225	-	-	5	1
Region VIII	Leyte	191577	San Vicente Elementary School	MACARTHUR	2	1	90	135	225	-	-	5	1
Region VIII	Leyte	191581	Oguisan Elementary School	MACARTHUR	2	1	90	135	225	-	-	5	1
Region VIII	Leyte	121702	Calipayan Elementary School	MAYORGA	2	1	90	135	225	-	-	5	1
Region VIII	Leyte	121703	Camansi Primary School	MAYORGA	2	1	90	135	225	-	-	5	1
Region VIII	Leyte	303407	Mayorga National High School	MAYORGA	2	1			-	540	-	12	1
Region VIII	Leyte	121809	Aringit Primary School	PASTRANA	2	1	90	135	225	-	-	5	1
Region VIII	Leyte	121811	Cabaoan Primary School	PASTRANA	2	1	90	135	225	-	-	5	1
Region VIII	Leyte	121815	Dumarag Elementary School	PASTRANA	2	1	90	135	225	-	-	5	1
Region VIII	Leyte	121816	Halaba Primary School	PASTRANA	2	1	90	135	225	-	-	5	1
Region VIII	Leyte	121818	Lanauan Elementary School	PASTRANA	2	1	90	135	225	-	-	5	1
Region VIII	Leyte	121819	Lima Primary School	PASTRANA	2	1	90	135	225	-	-	5	1
Region VIII	Leyte	121820	Lourdes Primary School	PASTRANA	2	1	90	135	225	-	-	5	1
Region VIII	Leyte	191511	Cancaraja Primary School	PASTRANA	2	1	90	135	225	-	-	5	1
Region VIII	Leyte	191555	Capilla Primary School	PASTRANA	2	1	90	135	225	-	-	5	1
Region VIII	Leyte	303380	Juan Villablanca Memorial High School	PASTRANA	2	1			-	450	-	10	1
Region VIII	Leyte	313343	Mactalpi-ay National High School	PASTRANA	2	1			-	315	-	7	1
Region VIII	Leyte	121909	Balingasag Primary School	TABONTABON	2	1	90	135	225	-	-	5	1
Region VIII	Leyte	121910	Belisong Primary School	TABONTABON	2	1	90	135	225	-	-	5	1
Region VIII	Leyte	121913	Jabong Elementary School	TABONTABON	2	1	90	135	225	-	-	5	1
Region VIII	Leyte	121915	Mohon Primary School	TABONTABON	2	1	90	135	225	-	-	5	1
Region VIII	Leyte	191540	Mering Primary School	TABONTABON	2	1	90	135	225	-	-	5	1
Region VIII	Leyte	303382	Justimbaste-Remandaban National High School	TABONTABON	2	1			-	540	-	12	1
Region VIII	Leyte	303441	Gregorio C. Catenza NHS (Tunga NHS)	TUNGA	2	1			-	450	-	10	1

REPUBLIC OF THE PHILIPPINES
DEPARTMENT OF EDUCATION
CY 2022 BASIC EDUCATIONAL FACILITIES FUND
PROVISION OF SCHOOL FURNITURE - 75% Allocation for Regular Supplier

Region	Division	School ID	School Name	Municipality	LD	No. of Sites	Elem. (Grade I-III) Individual Learner Table & Chair Set	Elem. (Grade IV-VI) Individual Learner Table & Chair Set	Elem. Individual Learner Table & Chair Set	JHS Individual Learner Table & Chair Set	SHS Individual Learner Table & Chair Set	Teacher's Table & Chair Set	Cluster
Region VIII	Leyte	121728	Mahayag Primary School	MERIDA	4	1	90	135	225	-	-	5	1
Region VIII	Leyte	121729	Mat-e Primary School	MERIDA	4	1	90	135	225	-	-	5	1
Region VIII	Leyte	121734	San Jose Elementary School	MERIDA	4	1	90	135	225	-	-	5	1
Region VIII	Leyte	121735	Tubod Primary School	MERIDA	4	1	45	90	135	-	-	3	1
Region VIII	Leyte	303410	Puerto Bello National High School	MERIDA	4	1			-	180	-	4	1
Region VIII	Leyte	313301	Minesite National High School	MERIDA	4	1			-	225	-	5	1
Region VIII	Leyte	121399	Baldoza Elementary School	HINDANG	5	1	90	135	225	-	-	5	1
Region VIII	Leyte	121407	Himokilan Elementary School	HINDANG	5	1	90	135	225	-	-	5	1
Region VIII	Leyte	121409	Katipunan Elementary School	HINDANG	5	1	90	135	225	-	-	5	1
Region VIII	Northern Samar	122776	Alejandro Primary School	ALLEN	1	1	90	135	225	-	-	5	2
Region VIII	Northern Samar	122780	Caputian PS	ALLEN	1	1	90	135	225	-	-	5	2
Region VIII	Northern Samar	122789	Sta. Rita Elementary School	ALLEN	1	1	90	135	225	-	-	5	2
Region VIII	Northern Samar	122790	Bagong Silang ES	BIRI	1	1	90	135	225	-	-	5	2
Region VIII	Northern Samar	122793	CAWAYAN ES	BIRI	1	1	90	135	225	-	-	5	2
Region VIII	Northern Samar	122794	Langub-Langub ES	BIRI	1	1	90	135	225	-	-	5	2
Region VIII	Northern Samar	122795	MACARET ELEMENTARY SCHOOL	BIRI	1	1	90	135	225	-	-	5	2
Region VIII	Northern Samar	122797	SALVACION ELEMENTARY SCHOOL	BIRI	1	1	90	135	225	-	-	5	2
Region VIII	Northern Samar	122800	Tampipi Elementary School	BIRI	1	1	90	135	225	-	-	5	2
Region VIII	Northern Samar	303534	BIRI NATIONAL HIGH SCHOOL	BIRI	1	1			-	540	-	12	2
Region VIII	Northern Samar	303576	San Antonio NHS	BIRI	1	1			-	405	-	9	2
Region VIII	Northern Samar	122819	Aguin ES	CAPUL	1	1	90	135	225	-	-	5	2
Region VIII	Northern Samar	122822	Dalaquit Elem School	CAPUL	1	1	90	135	225	-	-	5	2
Region VIII	Northern Samar	123250	Tarnate ES	SAN VICENTE	1	1	90	135	225	-	-	5	2
Region VIII	Northern Samar	303567	Mongolbongol NHS	SAN VICENTE	1	1			-	225	-	5	2
Region VIII	Northern Samar	123270	Acedillo Elementary School	VICTORIA	1	1	90	135	225	-	-	5	2
Region VIII	Northern Samar	123271	Buenasuerte ES	VICTORIA	1	1	90	135	225	-	-	5	2
Region VIII	Northern Samar	123275	Gonzaga Elementary School	VICTORIA	1	1	90	135	225	-	-	5	2

REPUBLIC OF THE PHILIPPINES
 DEPARTMENT OF EDUCATION
 CY 2022 BASIC EDUCATIONAL FACILITIES FUND
 PROVISION OF SCHOOL FURNITURE - 75% Allocation for Regular Supplier

Region	Division	School ID	School Name	Municipality	LD	No. of Sites	Elem. (Grade I-III) Individual Learner Table & Chair Set	Elem. (Grade IV-VI) Individual Learner Table & Chair Set	Elem. Individual Learner Table & Chair Set	JHS Individual Learner Table & Chair Set	SHS Individual Learner Table & Chair Set	Teacher's Table & Chair Set	Cluster
Region VIII	Northern Samar	123281	San Lazaro ES	VICTORIA	1	1	90	135	225	-	-	5	2
Region VIII	Northern Samar	123283	San Roman Elementary School	VICTORIA	1	1	90	135	225	-	-	5	2
Region VIII	Northern Samar	303585	Victoria NHS	VICTORIA	1	1			-	225	-	5	2
Region VIII	Northern Samar	330502	Maxvilla National High School	VICTORIA	1	1			-	225	-	5	2
Region VIII	Northern Samar	122991	Bagacay Elementary School	LAPINIG	2	1	90	135	225	-	-	5	2
Region VIII	Northern Samar	122992	Cahagwayan ES	LAPINIG	2	1	90	135	225	-	-	5	2
Region VIII	Northern Samar	122994	Can-omanio ES	LAPINIG	2	1	90	135	225	-	-	5	2
Region VIII	Northern Samar	122995	Imelda ES	LAPINIG	2	1	90	135	225	-	-	5	2
Region VIII	Northern Samar	122997	Lo-ok ES	LAPINIG	2	1	90	135	225	-	-	5	2
Region VIII	Northern Samar	122998	Mabini ES	LAPINIG	2	1	90	135	225	-	-	5	2
Region VIII	Northern Samar	122999	May-igot ES	LAPINIG	2	1	90	135	225	-	-	5	2
Region VIII	Northern Samar	123000	Palanas elementary school	LAPINIG	2	1	90	135	225	-	-	5	2
Region VIII	Northern Samar	123001	Pio Del Pilar ES	LAPINIG	2	1	90	135	225	-	-	5	2
Region VIII	Northern Samar	123106	Magsaysay ES	MAPANAS	2	1	90	135	225	-	-	5	2
Region VIII	Northern Samar	123109	Naparasan ES	MAPANAS	2	1	90	135	225	-	-	5	2
Region VIII	Northern Samar	123110	Pangudtan PS	MAPANAS	2	1	90	135	225	-	-	5	2
Region VIII	Northern Samar	123111	Quezon ES	MAPANAS	2	1	90	135	225	-	-	5	2
Region VIII	Northern Samar	313622	Magtaon NHS	MAPANAS	2	1			-	180	-	4	2
Region VIII	Samar (Western Samar)	123293	Lunang II ES	ALMAGRO	1	1	90	135	225	-	-	5	2
Region VIII	Samar (Western Samar)	123294	Magsaysay ES	ALMAGRO	1	1	90	135	225	-	-	5	2
Region VIII	Samar (Western Samar)	123299	Tonga-Tonga ES	ALMAGRO	1	1	90	135	225	-	-	5	2
Region VIII	Samar (Western Samar)	123540	De-It ES	MATUGUINAO	1	1	90	135	225	-	-	5	2
Region VIII	Samar (Western Samar)	123549	Matuguinao CES	MATUGUINAO	1	1	90	135	225	-	-	5	2
Region VIII	Samar (Western Samar)	123550	Nagpapacao ES	MATUGUINAO	1	1	90	135	225	-	-	5	2
Region VIII	Samar (Western Samar)	123557	San Isidro ES	MATUGUINAO	1	1	90	135	225	-	-	5	2
Region VIII	Samar (Western Samar)	193503	Libertad PS	MATUGUINAO	1	1	90	135	225	-	-	5	2
Region VIII	Samar (Western Samar)	193504	Rizal PS 2	MATUGUINAO	1	1	90	135	225	-	-	5	2

REPUBLIC OF THE PHILIPPINES
 DEPARTMENT OF EDUCATION
 CY 2022 BASIC EDUCATIONAL FACILITIES FUND
 PROVISION OF SCHOOL FURNITURE - 75% Allocation for Regular Supplier

Region	Division	School ID	School Name	Municipality	LD	No. of Sites	Elem. (Grade I-III) Individual Learner Table & Chair Set	Elem. (Grade IV-VI) Individual Learner Table & Chair Set	Elem. Individual Learner Table & Chair Set	JHS Individual Learner Table & Chair Set	SHS Individual Learner Table & Chair Set	Teacher's Table & Chair Set	Cluster
Region VIII	Samar (Western Samar)	193536	Inubod ES	MATUGUINAO	1	1	90	135	225	-	-	5	2
Region VIII	Samar (Western Samar)	193541	Salvacion PS	MATUGUINAO	1	1	90	135	225	-	-	5	2
Region VIII	Samar (Western Samar)	123812	Sto. Nino CS	SANTO NIÑO	1	1	90	135	225	-	-	5	2
Region VIII	Samar (Western Samar)	303591	Baras National High School	SANTO NIÑO	1	1			-	225	-	5	2
Region VIII	Samar (Western Samar)	303632	Sto. Niño National High School	SANTO NIÑO	1	1			-	270	-	6	2
Region VIII	Samar (Western Samar)	303638	Villahermosa National High School	SANTO NIÑO	1	1			-	270	-	6	2
Region VIII	Samar (Western Samar)	313703	Cabunga-an Integrated School	SANTO NIÑO	1	1			-	270	-	6	2
Region VIII	Samar (Western Samar)	501924	Sevilla Integrated School	SANTO NIÑO	1	1			-	-	360	9	2
Region VIII	Samar (Western Samar)	123824	Pantalan Elementary School	TAGAPUL-AN	1	1	90	135	225	-	-	5	2
Region VIII	Samar (Western Samar)	123826	San Vicente Elementary school	TAGAPUL-AN	1	1	90	135	225	-	-	5	2
Region VIII	Samar (Western Samar)	123828	Trinidad Elementary School	TAGAPUL-AN	1	1	90	135	225	-	-	5	2
Region VIII	Samar (Western Samar)	303590	Baqiwi National High School	TAGAPUL-AN	1	1			-	225	-	5	2
Region VIII	Samar (Western Samar)	313724	Balocawe Integrated School	TAGAPUL-AN	1	1			-	405	-	9	2
Region VIII	Samar (Western Samar)	123583	Bugho ES	JIABONG	2	1	45	90	135	-	-	3	2
Region VIII	Samar (Western Samar)	123588	Catalina ES	JIABONG	2	1	45	135	180	-	-	4	2
Region VIII	Samar (Western Samar)	123589	Cristina Elementary School	JIABONG	2	1	90	135	225	-	-	5	2
Region VIII	Samar (Western Samar)	123590	Dogongan Elementary School	JIABONG	2	1	90	135	225	-	-	5	2
Region VIII	Samar (Western Samar)	123591	Garcia ES	JIABONG	2	1	90	135	225	-	-	5	2
Region VIII	Samar (Western Samar)	123594	Jidanao Elementary School	JIABONG	2	1	90	135	225	-	-	5	2
Region VIII	Samar (Western Samar)	123600	Nagbac Elementary School	JIABONG	2	1	90	135	225	-	-	5	2
Region VIII	Samar (Western Samar)	123603	San Andres ES	JIABONG	2	1	90	135	225	-	-	5	2
Region VIII	Samar (Western Samar)	123605	San Miguel ES	JIABONG	2	1	90	135	225	-	-	5	2
Region VIII	Samar (Western Samar)	193545	Hinaga ES	JIABONG	2	1	90	135	225	-	-	5	2
Region VIII	Samar (Western Samar)	281506	Flora Mabaet Mabansag Elementary School	JIABONG	2	1	90	135	225	-	-	5	2
Region VIII	Samar (Western Samar)	193516	Mabuhay ES	MARABUT	2	1	90	135	225	-	-	5	2
Region VIII	Samar (Western Samar)	303611	Marabut National High School	MARABUT	2	1			-	225	-	5	2
Region VIII	Samar (Western Samar)	303614	Osmeña National High School	MARABUT	2	1			-	1,080	-	24	2

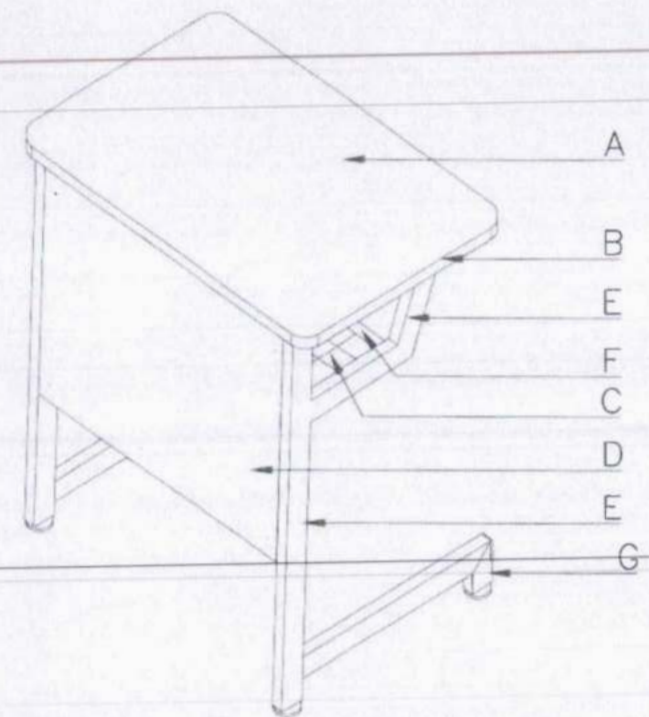
REPUBLIC OF THE PHILIPPINES
 DEPARTMENT OF EDUCATION
 CY 2022 BASIC EDUCATIONAL FACILITIES FUND
 PROVISION OF SCHOOL FURNITURE - 75% Allocation for Regular Supplier

Region	Division	School ID	School Name	Municipality	LD	No. of Sites	Elem. (Grade I-III) Individual Learner Table & Chair Set	Elem. (Grade IV-VI) Individual Learner Table & Chair Set	Elem. Individual Learner Table & Chair Set	JHS Individual Learner Table & Chair Set	SHS Individual Learner Table & Chair Set	Teacher's Table & Chair Set	Cluster
Region VIII	Samar (Western Samar)	123714	Cabaywa ES	SAN SEBASTIAN	2	1	90	135	225	-	-	5	2
Region VIII	Samar (Western Samar)	303627	San Sebastian National High School	SAN SEBASTIAN	2	1			-	225	-	5	2
Region VIII	Samar (Western Samar)	501374	Inobongan Integrated School	SAN SEBASTIAN	2	1			-	-	200	5	2
Region VIII	Samar (Western Samar)	123899	Navatas Guti Elementary School	TALALORA	2	1	45	45	90	-	-	2	2
Region VIII	Samar (Western Samar)	303608	Independencia National High School	TALALORA	2	1			-	450	-	10	2
Region VIII	Samar (Western Samar)	501372	Tatabunan Integrated School	TALALORA	2	1			-	-	200	5	2
Region VIII	Samar (Western Samar)	123967	Botaera ES	ZUMARRAGA	2	1	90	135	225	-	-	5	2
Region VIII	Samar (Western Samar)	123974	Marapilit ES	ZUMARRAGA	2	1	90	135	225	-	-	5	2
Region VIII	Samar (Western Samar)	303602	Mualbual National High School	ZUMARRAGA	2	1			-	270	-	6	2
Region VIII	Samar (Western Samar)	303643	Zumarraga National High School	ZUMARRAGA	2	1			-	360	-	8	2
Region VIII	Samar (Western Samar)	313707	Bioso Integrated School	ZUMARRAGA	2	1			-	225	-	5	2
Region VIII	Samar (Western Samar)	313721	San Isidro National High School	ZUMARRAGA	2	1			-	495	-	11	2
Region VIII	Samar (Western Samar)	501931	Camayse Integrated School	ZUMARRAGA	2	1			-	-	320	8	2
Region VIII	Southern Leyte	303444	Anahawan National Vocational High School	ANAHAWAN	0	1			-	270	-	6	1
Region VIII	Southern Leyte	122062	Amaga Elementary School	HINUNDAYAN	0	1	90	135	225	-	-	5	1
Region VIII	Southern Leyte	122069	Cabulisan Multi-Grade Elem.School	HINUNDAYAN	0	1	90	135	225	-	-	5	1
Region VIII	Southern Leyte	192031	Cat-iwing MG Elem School	HINUNDAYAN	0	1	90	135	225	-	-	5	1
Region VIII	Southern Leyte	313411	Libagon National High School	LIBAGON	0	1			-	360	-	8	1
Region VIII	Southern Leyte	303465	LIMASAWA NATIONAL HIGH SCHOOL	LIMASAWA	0	1			-	900	-	20	1
Region VIII	Southern Leyte	122241	Punod Primary School	PINTUYAN	0	1	90	135	225	-	-	5	1
Region VIII	Southern Leyte	303477	Pintuyan National Vocational High School	PINTUYAN	0	1			-	225	-	5	1
Region VIII	Southern Leyte	122114	Sta. Paz Elementary School	SAN FRANCISCO	0	1	90	180	270	-	-	6	1
Region VIII	Southern Leyte	192021	Anislagon Primary School	SAN FRANCISCO	0	1	90	135	225	-	-	5	1
Region VIII	Southern Leyte	303489	Sta. Paz National High School	SAN FRANCISCO	0	1			-	315	-	7	1
Region VIII	Southern Leyte	122254	Sta. Filomena Elementary School	SAN JUAN (CABALIAN)	0	1	90	135	225	-	-	5	1
Region VIII	Southern Leyte	303481	San Juan NHS	SAN JUAN (CABALIAN)	0	1			-	765	-	17	1
Region VIII	Southern Leyte	303455	Esperanza National High School	SAN RICARDO	0	1			-	225	-	5	1

REPUBLIC OF THE PHILIPPINES
 DEPARTMENT OF EDUCATION
 CY 2022 BASIC EDUCATIONAL FACILITIES FUND
 PROVISION OF SCHOOL FURNITURE - 75% Allocation for Regular Supplier

Region	Division	School ID	School Name	Municipality	LD	No. of Sites	Elem. (Grade I-III) Individual Learner Table & Chair Set	Elem. (Grade IV-VI) Individual Learner Table & Chair Set	Elem. Individual Learner Table & Chair Set	JHS Individual Learner Table & Chair Set	SHS Individual Learner Table & Chair Set	Teacher's Table & Chair Set	Cluster
Region VIII	Southern Leyte	303478	Pinut-an National High School	SAN RICARDO	0	1			-	225	-	5	1
Region VIII	Southern Leyte	303483	San Ricardo National High School	SAN RICARDO	0	1			-	225	-	5	1
Region VIII	Southern Leyte	501048	Saub Integrated School	SAN RICARDO	0	1			-	-	200	5	1
Region VIII	Southern Leyte	122313	Carnaga Elementary School	TOMAS OPPUS	0	1	90	135	225	-	-	5	1
Region VIII	Southern Leyte	303479	RIZAL NATIONAL HIGH SCHOOL	TOMAS OPPUS	0	1			-	225	-	5	1
Region VIII	Southern Leyte	303480	San Isidro NHS	TOMAS OPPUS	0	1			-	270	-	6	1
Region VIII Total						194	12,285	18,585	30,870	18,632	1,280	1,132	

1	TECHNICAL SPECIFICATIONS OF LEARNER'S TABLE	
MARK	COMPONENTS	SPECIFICATIONS
A	TABLE TOP	18MM THK TOP BOARD ROUND CORNER'S (1 SIDE 1.0MM THK HIGH PRESSURE LAMINATE/1 SIDE VARNISH FINISHES ON MARINE PLYWOOD)
B	EDGING	1.0 MM THK PVC EDGING, ALL EDGES OF TABLE TOP
C	SHELF	METAL WIRE MESH 4MMTHKX50X50
D	FRONT COVER	6MM THK FRONT COVER (1 SIDE 1.0MM THK HIGH PRESSURE LAMINATE / 1 SIDE VARNISH FINISHES ON MARINE PLYWOOD)
E	MAIN FRAME	1.0MMTHKX20MMX40MM STEEL TUBULAR
F	SECONDARY FRAME	1.0MMTHKX20MMX20MM STEEL TUBULAR
G	ADJUSTABLE LEVELER	8MMØ THREAD WITH 38MMØ PLASTIC BASE
	CONNECTOR/FLAT BAR	1MMTHKX25MMX50MM STEEL FLAT BAR (TABLE TOP: 4PCS; SCREW)
	CONNECTION	WOOD TO STEEL: SCREW: E-TYPE HEX M6X13mm:(TABLE TOP) RIVETS: BLIND RIVET (FRONT COVER)
		STEEL TO STEEL: FULL WELDING CONNECTION



1 ISOMETRIC VIEW OF LEARNER'S TABLE
SCALE 1:1 -M

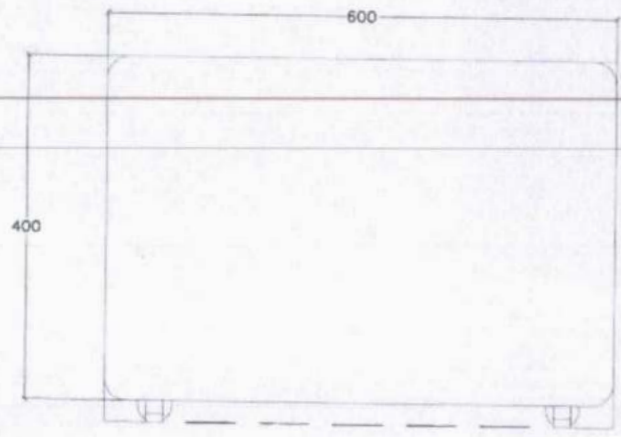
2a	SCHEDULE OF FINISHES	
TOP BOARD	1.0MM THK HIGH PRESSURE LAMINATE	
EDGING	1.0 MM THK PVC EDGING, ALL EDGES OF TABLE TOP	

FRONT COVER	1.0MM THK HIGH PRESSURE LAMINATE	
METAL/STEEL TUBULAR	POWDER COATED (BLACK); SMOOTH, GLOSSY FINISH	
LAMINATE COLOR	PANTONE 729C OR COLOR HEX #b07c45 / RGB 186, 124, 69 / CMYK 0%, 33%, 63%, 27% WITH WOOD GRAIN (SERANO BEECH OR EQUIVALENT)	

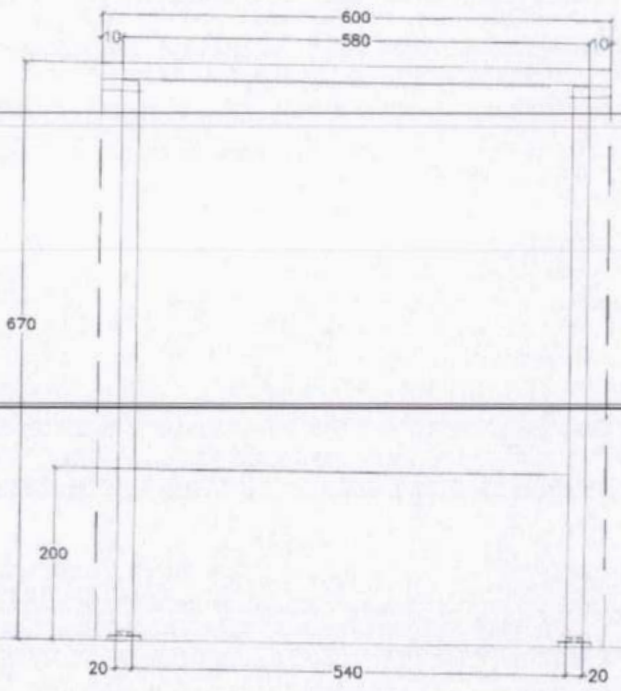
3	DIMENSIONS OF LEARNER'S TABLE(mm) (TOLERANCE ± 10mm)		
MARK	COMPONENTS	DIMENSIONS	
		ELEMENTARY	SECONDARY
a	TABLE HEIGHT	670	730
b	TABLE LENGTH	600	600
c	TABLE WIDTH	400	400

 REPUBLIC OF THE PHILIPPINES DepEd DEPARTMENT OF EDUCATION EDUCATION OFFICES DIVISION MEGALAO AVENUE, PASIG CITY	DRAWN BY: RAYMOND G. ALARCON ARCHITECT	RECOMMENDING APPROVAL: ENGR. ANNABELLE MANZANO CHIEF - EDUCATION FACILITIES DIVISION	APPROVED BY: EPIMAC V. ALARCON Undersecretary for School Infrastructure and Facilities	CONCURRED BY: GINA D. GOHING Undersecretary for Curriculum and Training	PROJECT TITLE: LEARNER'S TABLE (WOOD & STEEL)	SHEET CONTENTS: TECHNICAL SPECIFICATION SCHEDULE OF FINISHES EDGING APPLICATION DIMENSIONS ISOMETRIC VIEW	SHEET NO: 1 3
--	--	--	--	---	---	--	---------------------

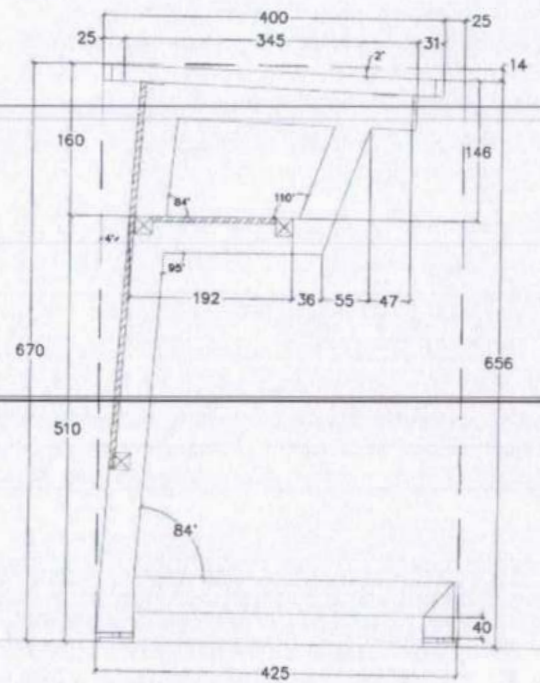
DEPED ELEMENTARY SINGLE LEARNER'S TABLE



TOP VIEW



FRONT VIEW



SIDE SECTION VIEW

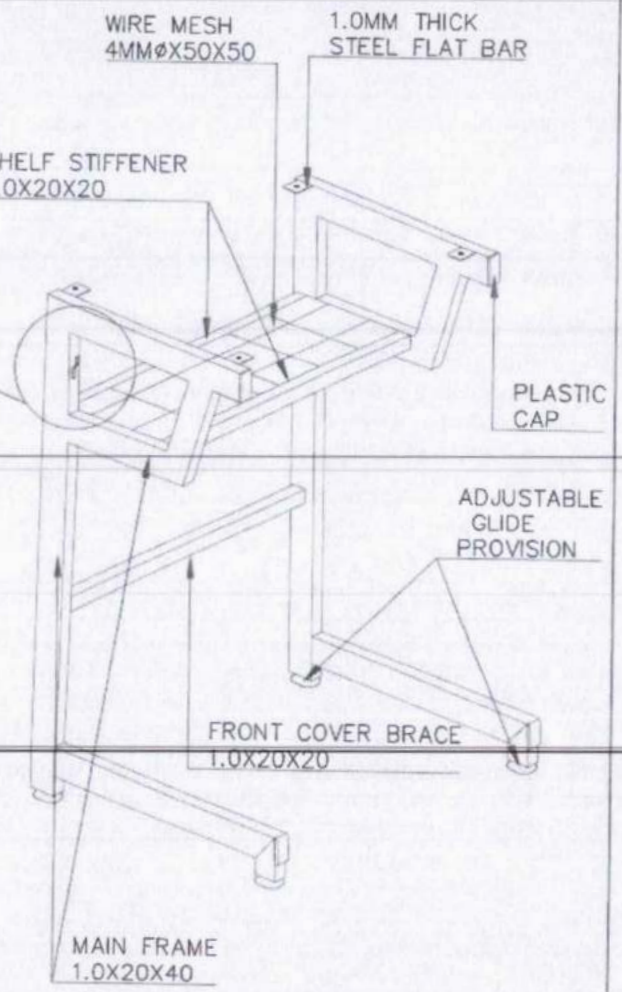
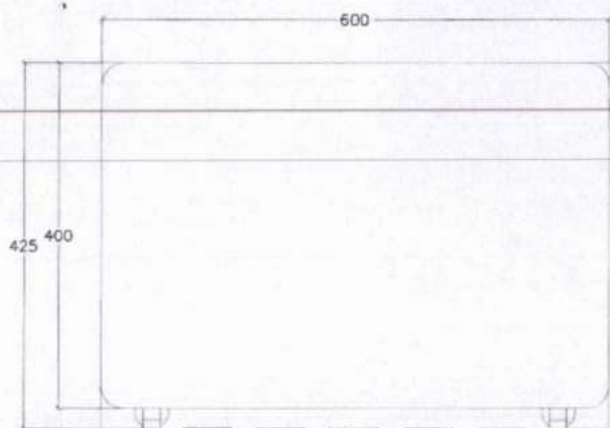


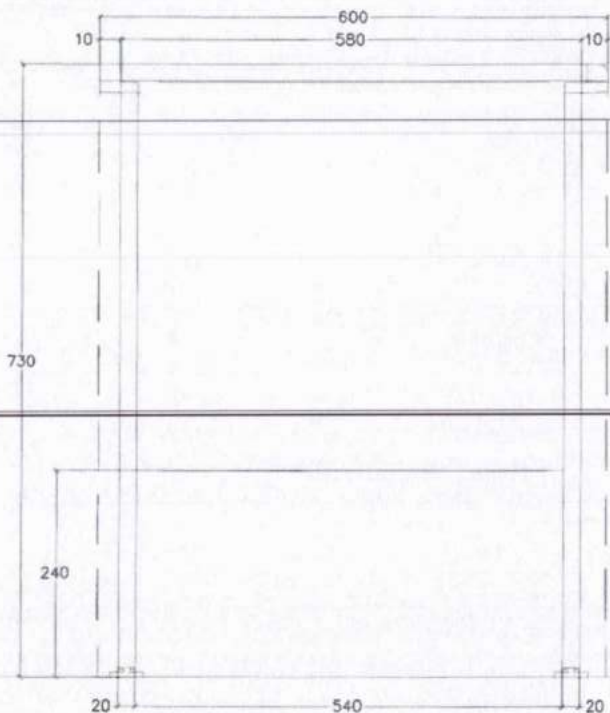
TABLE FRAMING PERSPECTIVE VIEW

<p>REPUBLIC OF THE PHILIPPINES DepEd DEPARTMENT OF EDUCATION EDUCATION FACILITIES DIVISION MIDALCO AVENUE, PASIG CITY</p>	DESIGN BY: ENGR. RAYMOND G. ALARADO ARCHITECT	RECOMMENDING APPROVAL: ENGR. RAYMOND G. ALARADO CHIEF, EDUCATION FACILITIES DIVISION	APPROVED BY: ENGR. RAYMOND G. ALARADO Undersecretary for School Infrastructure and Facilities	CONCURRED BY: ENGR. RAYMOND G. ALARADO Undersecretary for School Infrastructure and Facilities	PROJECT TITLE: LEARNER'S TABLE (WOOD & STEEL)	SHEET CONTENTS TOP VIEW FRONT VIEW SIDE SECTION VIEW FRAMING PERSPECTIVE VIEW	SHEET NO. 2 3

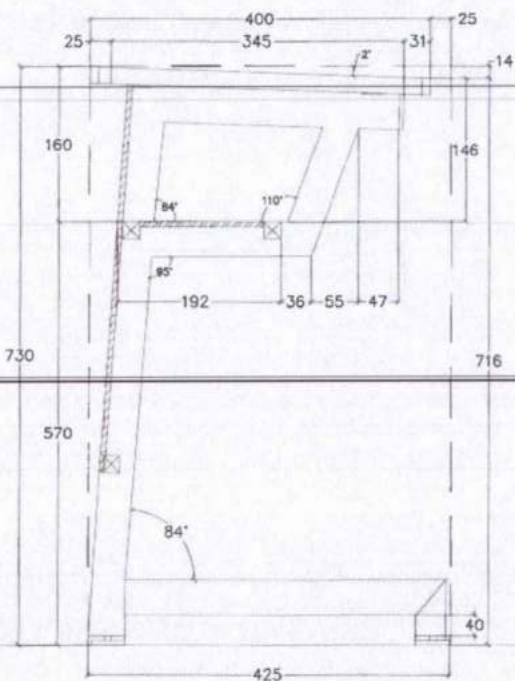
DEPED SECONDARY SINGLE LEARNER'S TABLE



TOP VIEW



FRONT VIEW



SIDE SECTION VIEW

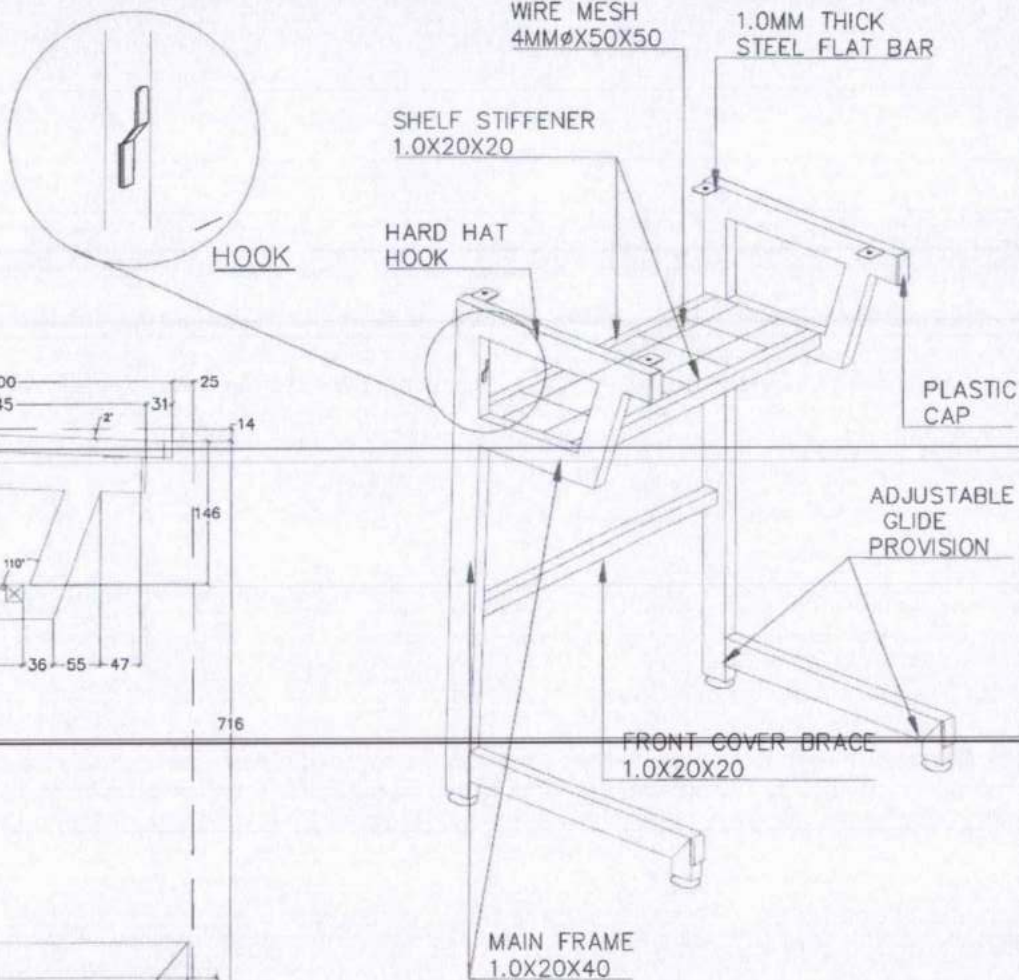
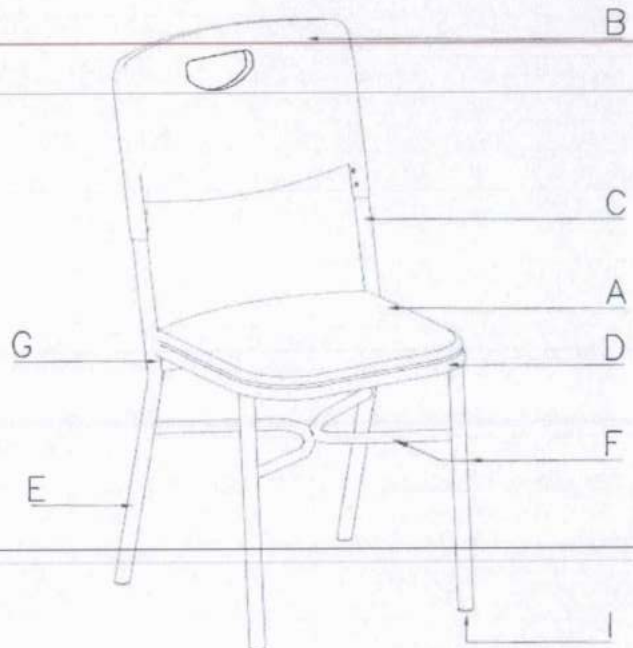


TABLE FRAMING PERSPECTIVE VIEW

<p>REPUBLIC OF THE PHILIPPINES DepED DEPARTMENT OF EDUCATION EDUCATION FACILITIES DIVISION MORONG AVENUE, PASIG CITY</p>	DRAWN BY: ARCHITECT	RECOMMENDING APPROVAL: ENGR. ARMAND C. MASAGAN CHIEF - EDUCATION FACILITIES DIVISION	APPROVED BY: UPIMACO V. DENING III Undersecretary for School Infrastructure and Facilities	CONCURRED BY: GMA LONDINO Undersecretary for Curriculum and Teaching	PROJECT TITLE: LEARNER'S TABLE (WOOD & STEEL)	SHEET CONTENTS: TOP VIEW FRONT VIEW SIDE SECTION VIEW FRAMING PERSPECTIVE VIEW	SHEET NO.: 3 3
---	----------------------------	--	--	--	---	--	----------------------



1 ISOMETRIC VIEW OF LEARNER'S CHAIR
1 SCALE -M

1 TECHNICAL SPECIFICATIONS OF LEARNER'S CHAIR		
MARK	COMPONENTS	SPECIFICATIONS
A	SEAT	BLOW MOLDED PLASTIC HIGH-DENSITY POLYETHYLENE (HDPE)
B	BACKREST	BLOW MOLDED PLASTIC HIGH-DENSITY POLYETHYLENE (HDPE)
C	BACK SUPPORT	BI PIPE TUBE 1.0MMX22MMØ
D	SEAT SUPPORT	BI PIPE TUBE 1.0MMX19MMØ
E	BACK LEG	BI PIPE TUBE 1.0MMX22MMØ
F	FRONT LEG/BRACE	BI PIPE TUBE 1.0MMX22MMØ
G	LOWER SEAT SUPPORT	BI PIPE TUBE 1.0MMX19MMØ
I	COVER CAP	PLASTIC GLIDE
	<u>HDPE TO STEEL:</u>	BACK HDPE TO STEEL - SELF TAPPING SCREW/RIVET
		SEAT HDPE TO STEEL - 1MM THK 25MMX30MM FLAT BAR, M6X12

SCHEDULE OF FINISHES

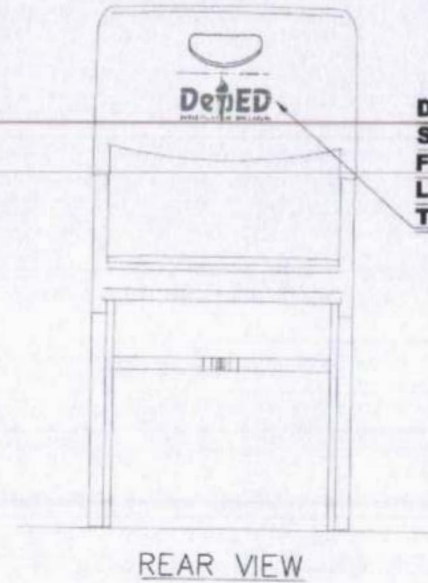
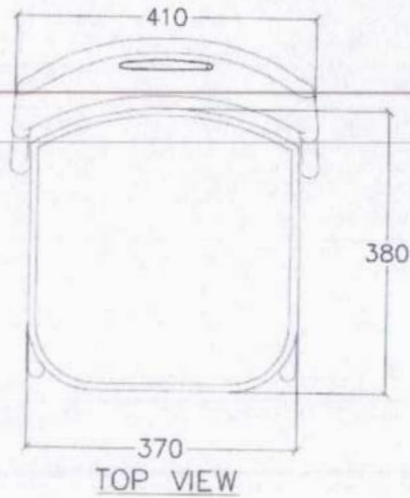
SEAT PANEL BACKREST	HIGH-DENSITY POLYETHYLENE (HDPE) PLASTIC (BLOW MOLDED)
METAL/STEEL TUBULAR	POWDER COATED (BLACK); SMOOTH, GLOSSY FINISH
HDPE COLOR	REFER TO COLOR CODE PANTONE 4665C OR COLOR HEX: #cda788 / RGB: 205, 167, 136 / CMYK: 0%, 19%, 34%, 20%

DIMENSIONS OF LEARNER'S CHAIR (mm)
(TOLERANCE ± 10mm)

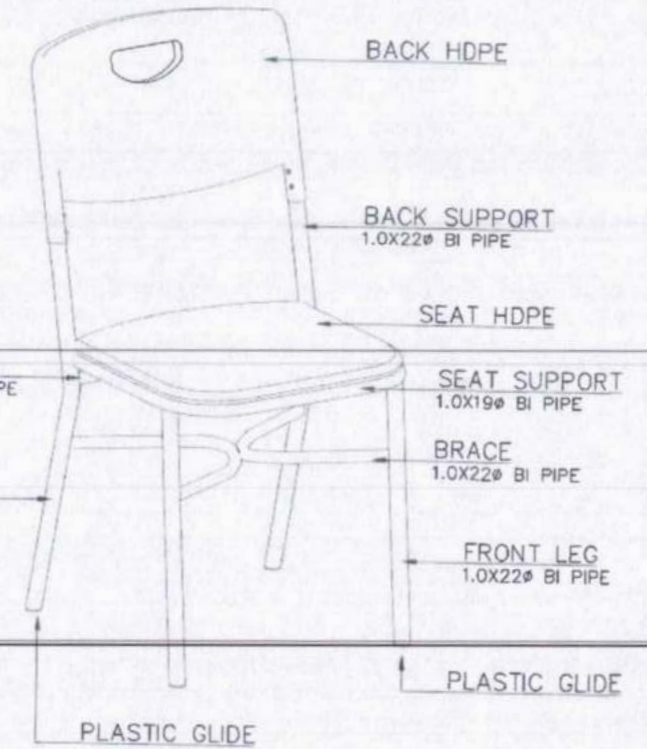
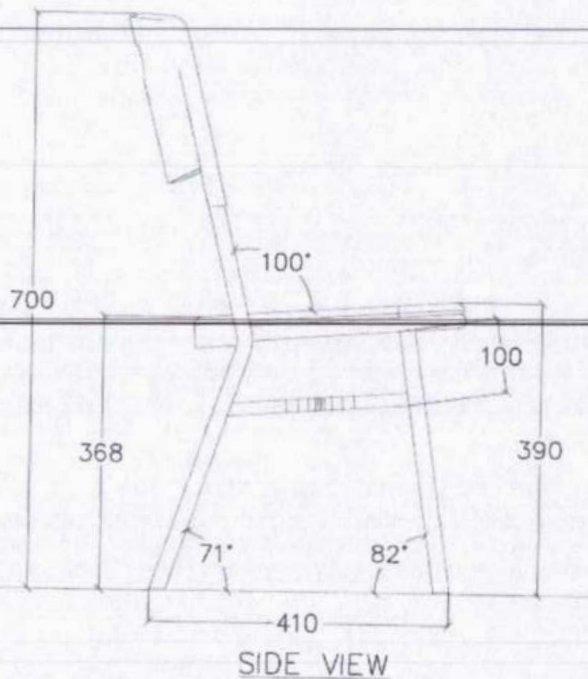
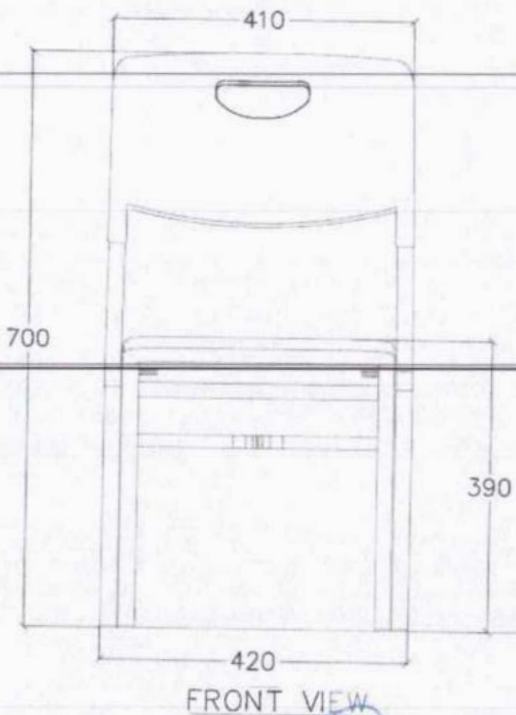
COMPONENTS	DIMENSIONS	
	ELEMENTARY	SECONDARY
SEAT HEIGHT	390	430
SEAT DEPTH	380	380
SEAT WIDTH	370	370
BACK REST HEIGHT	700	800
BACK REST WIDTH	410	410

<p>REPUBLIC OF THE PHILIPPINES DepED DIVISION OFFICE OF EDUCATION EDUCATION FACILITIES DIVISION MARIKINA CITY, PHILIPPINES</p>	<p>DRAWN BY: <i>[Signature]</i> JIT RAMOS G. ALARMO ARCHITECT</p>	<p>RECOMMENDING APPROVAL: <i>[Signature]</i> ENGR. ANABELLE R. ... CHIEF - EDUCATION FACILITIES DIVISION</p>	<p>APPROVED BY: <i>[Signature]</i> EMACD V. TENSING III Undersecretary for School Infrastructure and Facilities</p>	<p>CONCURRED BY: <i>[Signature]</i> ... Undersecretary for Curriculum and Teaching</p>	<p>PROJECT TITLE: LEARNER'S CHAIR (HDPE & STEEL)</p>	<p>SHEET CONTENTS: TECHNICAL SPECIFICATION SCHEDULE OF FINISHES EDGING APPLICATION DIMENSIONS ISOMETRIC VIEW</p>	<p>SHEET NO: 1 5</p>
---	---	--	---	--	---	--	------------------------------

DEPED ELEMENTARY LEARNER'S CHAIR



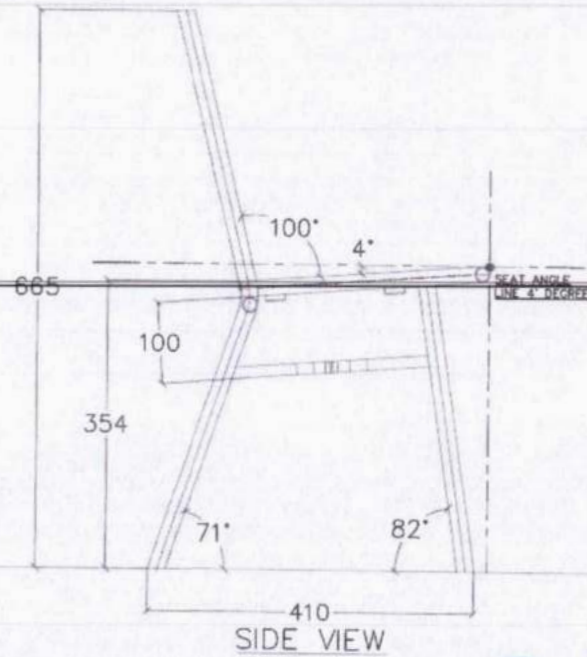
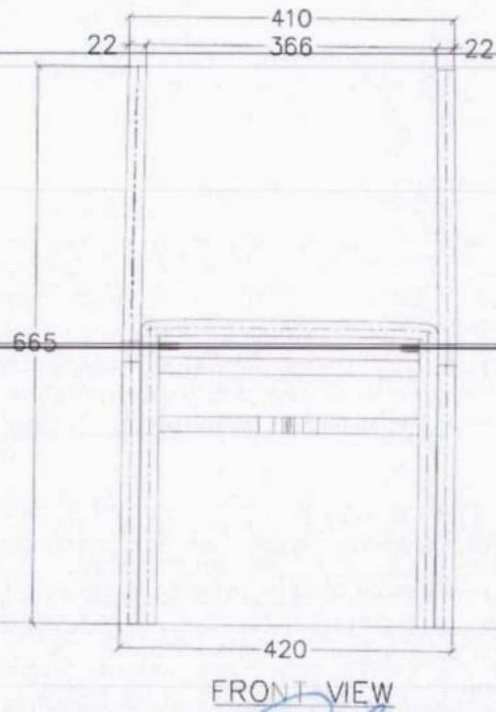
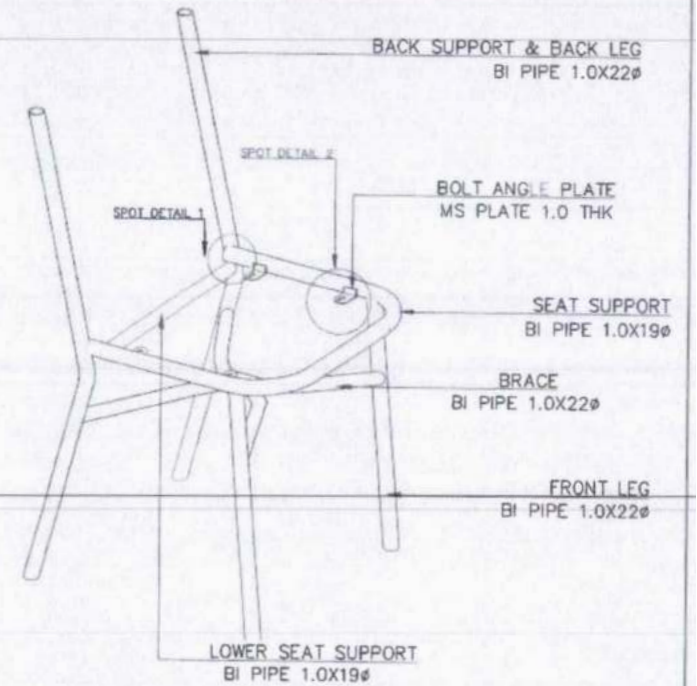
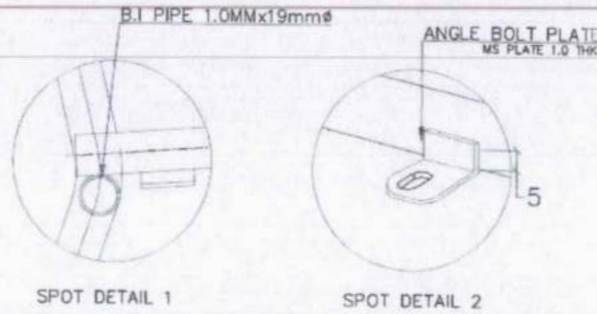
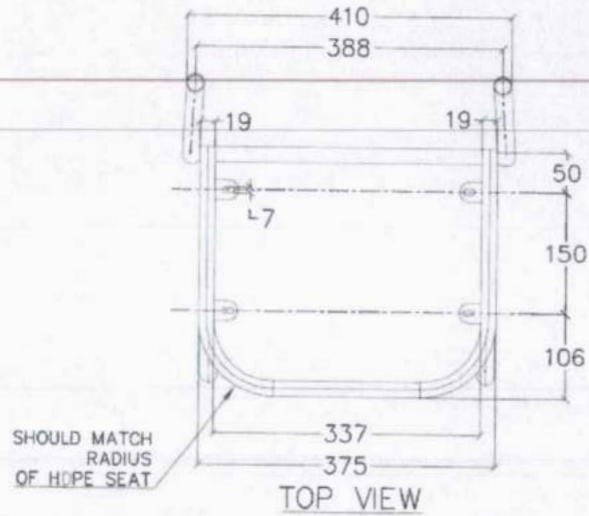
DEPED LOGO SPECIFICATIONS FOR ALL LEARNER AND TEACHER'S CHAIR



LEARNER'S CHAIR PERSPECTIVE VIEW

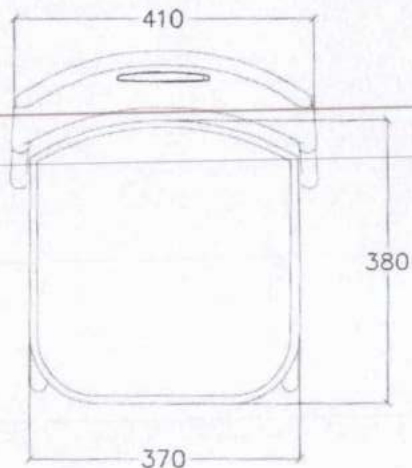
<p>REPUBLIC OF THE PHILIPPINES DepEd DEPARTMENT OF EDUCATION EDUCATION FACILITIES DIVISION MERRILL AVENUE, PASIG CITY</p>	<p>DESIGNED BY: <i>[Signature]</i> ENR. HAYANG L. ALARSO ARCHITECT</p>	<p>RECOMMENDING APPROVAL: <i>[Signature]</i> ENGR. ANNE VILLAS R. ... CHIEF - EDUCATION FACILITIES DIVISION</p>	<p>APPROVED BY: <i>[Signature]</i> ENR. ... Undersecretary for School Infrastructure and Facilities</p>	<p>CONCURRED BY: <i>[Signature]</i> GINA D. LONONG Undersecretary for Curriculum and Teaching</p>	<p>PROJECT TITLE: LEARNER'S CHAIR (HDPE & STEEL)</p>	<p>SHEET CONTENTS: ELEMENTARY LEARNER'S CHAIR: - PERSPECTIVE VIEW - TOP VIEW - REAR VIEW - FRONT VIEW - SIDE VIEW</p>	<p>SHEET NO: 2 5</p>
--	--	---	---	---	---	---	------------------------------

DEPED ELEMENTARY LEARNER'S CHAIR

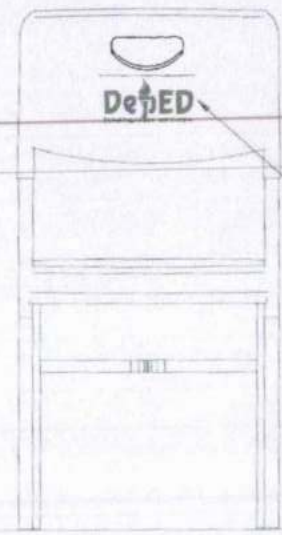


<p>REPUBLIC OF THE PHILIPPINES DepED DEPARTMENT OF EDUCATION EDUCATIONAL FACILITIES DIVISION WORKSHEET SERVICE, PANDA-LITAY</p>	DESIGNED BY: RAYMOND G. ALABASO ARCHITECT	RECOMMENDING APPROVAL: ENGR. ANNA L. LOPEZ CHIEF - EDUCATION FACILITIES DIVISION	APPROVED BY: RAMON V. DENSGING III Undersecretary for School Infrastructure and Facilities	CONCURRED BY: LINA D. GONONG Undersecretary for Curriculum and Learning	PROJECT TITLE: LEARNER'S CHAIR (HDPE & STEEL)	SHEET CONTENTS: ELEMENTARY LEARNER'S CHAIR -CHAIR FRAME (TOP/FRONT, SIDE VIEWS) -PERSPECTIVE VIEW -DETAILS	SHEET NO: 3 5
--	---	--	--	---	---	--	---------------------

DEPED SECONDARY LEARNER'S CHAIR

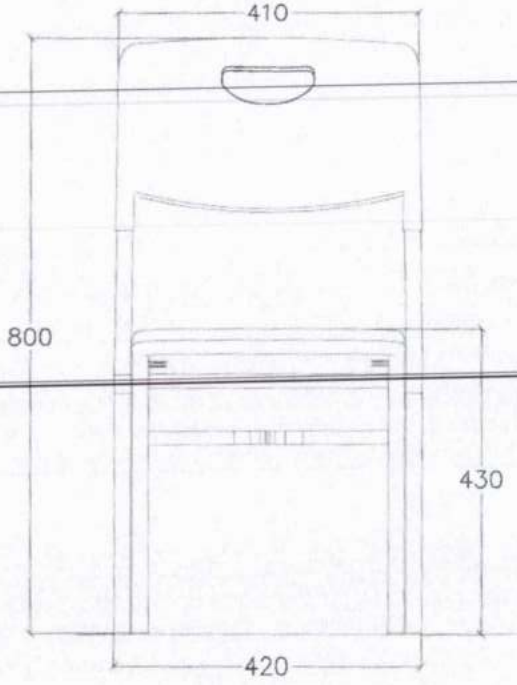


TOP VIEW

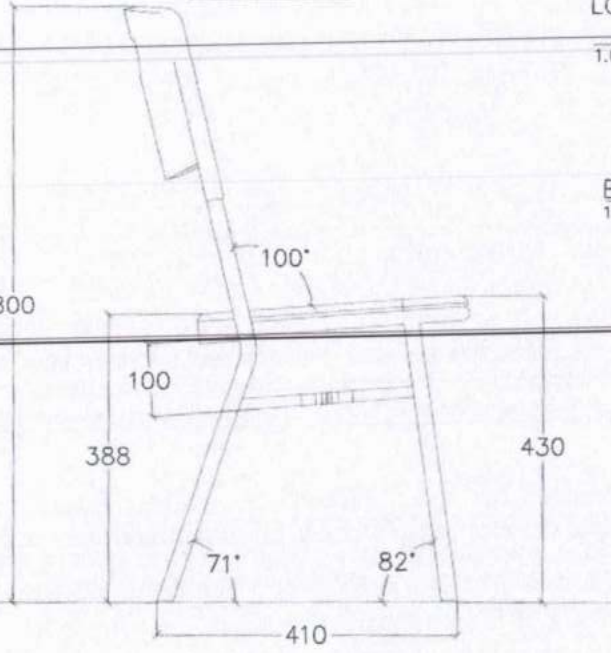


REAR VIEW

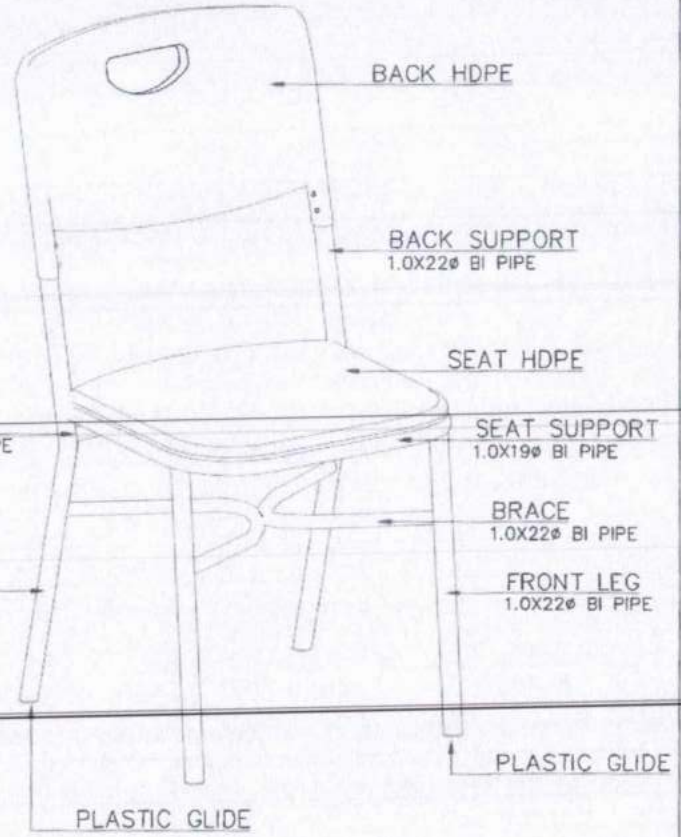
DEPED LOGO SPECIFICATIONS FOR ALL LEARNER AND TEACHER'S CHAIR



FRONT VIEW



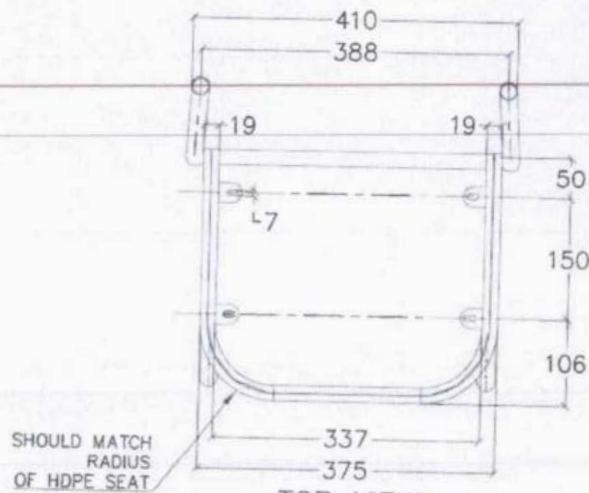
SIDE VIEW



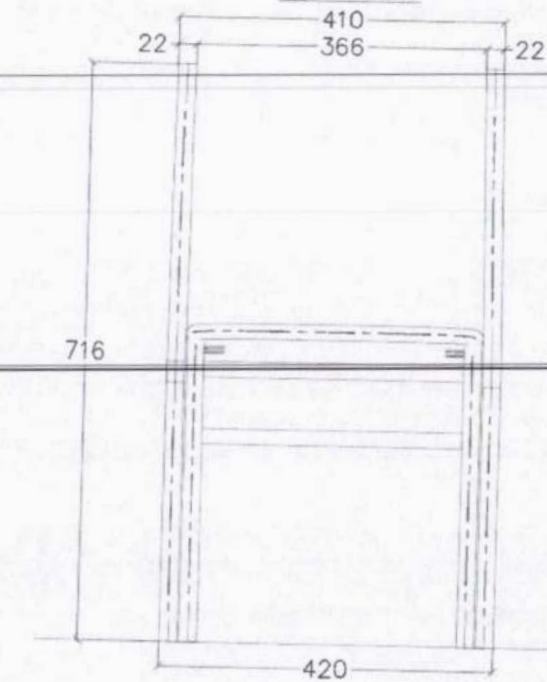
LEARNER'S CHAIR PERSPECTIVE VIEW

<p>REPUBLIC OF THE PHILIPPINES DepED DEPARTMENT OF EDUCATION EDUCATIONAL FACILITIES DIVISION MORONG AVENUE, PAMPANGA CITY</p>	<p>DESIGNED BY: <i>[Signature]</i> JEFFREY D. ALABAN ARCHITECT</p>	<p>RECOMMENDING APPROVAL: <i>[Signature]</i> ENGR. APRIALLES B. BAYANI CHIEF - LOCATION FACILITIES DIVISION</p>	<p>APPROVED BY: <i>[Signature]</i> MARIC V. DENING III Undersecretary for School Infrastructure and Facilities</p>	<p>CONCURRED BY: <i>[Signature]</i> MARK L. STANON Undersecretary for Curriculum and Teaching</p>	<p>PROJECT TITLE: LEARNER'S CHAIR (HDPE & STEEL)</p>	<p>SHEET CONTENTS SECONDARY LEARNER'S CHAIR: - PERSPECTIVE VIEW - TOP VIEW - REAR VIEW - FRONT VIEW - SIDE VIEW</p>	<p>SHEET NO. 4 5</p>
--	--	---	--	---	---	---	------------------------------

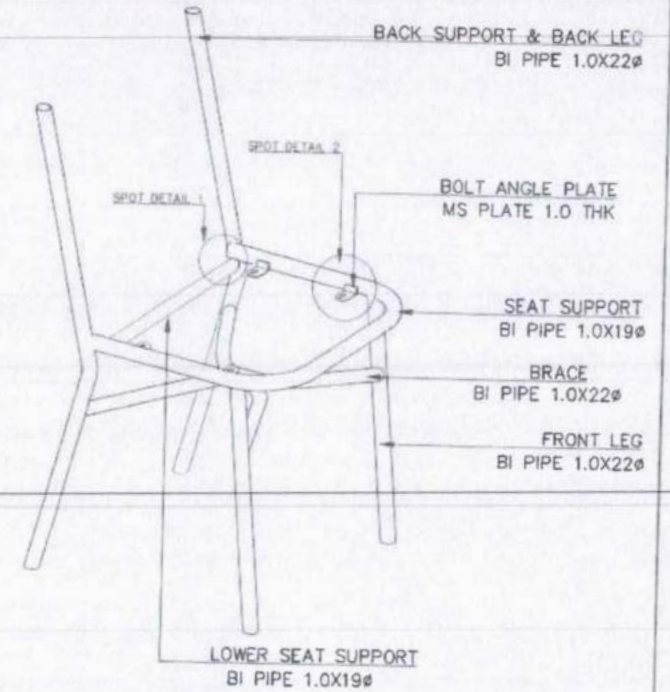
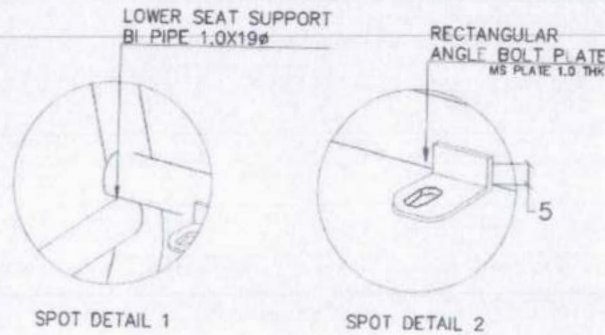
DEPED SECONDARY LEARNER'S CHAIR



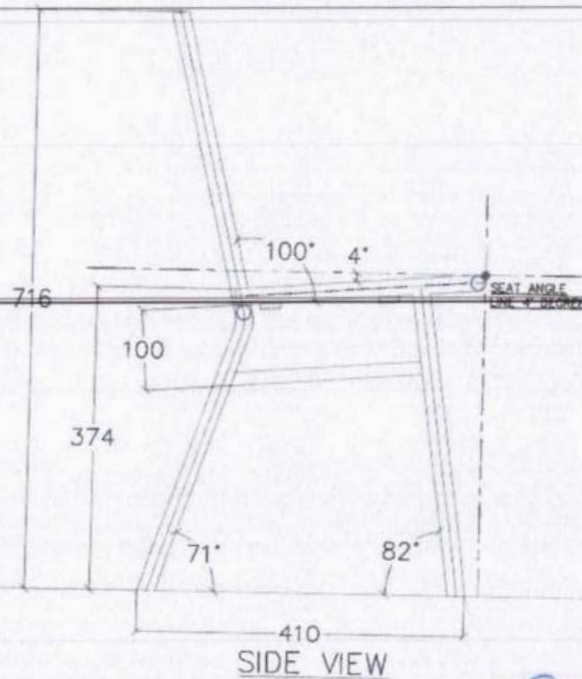
TOP VIEW



FRONT VIEW



PERSPECTIVE VIEW



SIDE VIEW



DESIGN BY: *[Signature]*
 ENGR. RICHARD G. ALABASO
 ARCHITECT

RECOMMENDING APPROVAL: *[Signature]*
 ENGR. ANABELLE S. MARIANO
 CHIEF - EDUCATION FACILITIES DIVISION

APPROVED BY: *[Signature]*
 ENGR. MAC J. DENISING III
 Undersecretary for School Infrastructure and Facilities

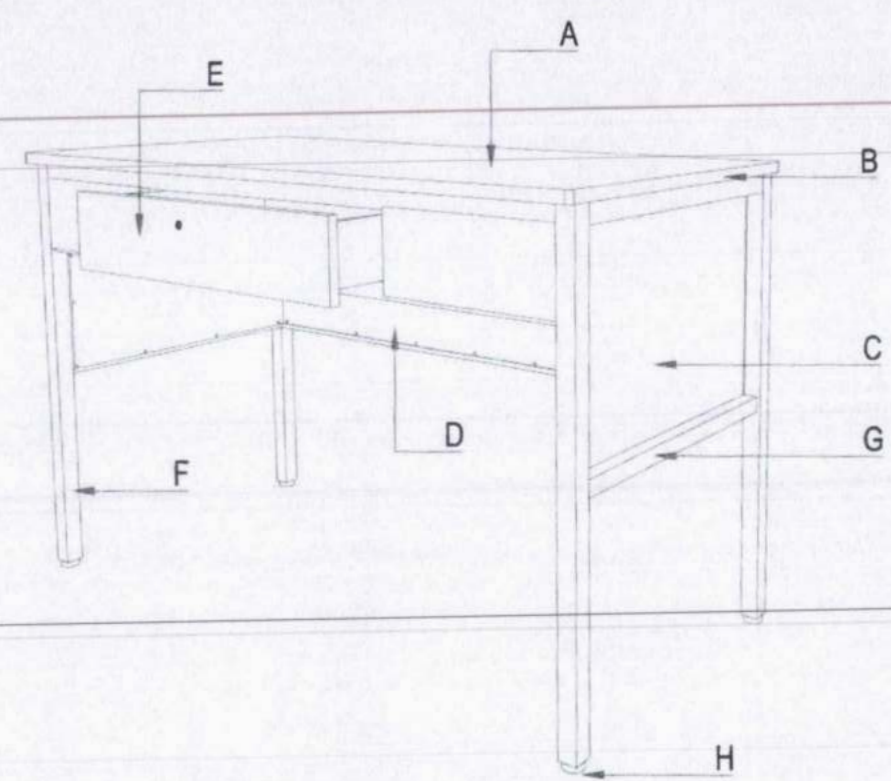
CONCURRED BY: *[Signature]*
 GINA O. GONONG
 Undersecretary for Curriculum and Teaching

PROJECT TITLE: LEARNER'S CHAIR (HDPE & STEEL)

SHEET CONTENTS:
 SECONDARY LEARNER'S CHAIR
 - CHAIR FRAME (TOP/FRONT, SIDE VIEWS)
 - PERSPECTIVE VIEW
 - DETAILS

SHEET NO:
 5
 5

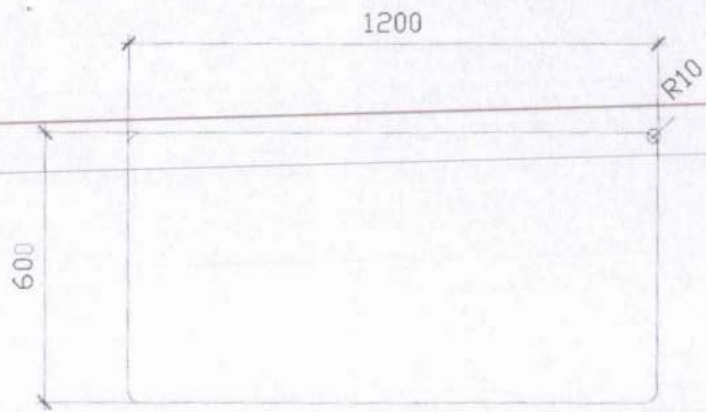
1 TECHNICAL SPECIFICATIONS OF TEACHER'S TABLE		
MARK	COMPONENTS	SPECIFICATIONS
A	TABLE TOP	18MM THK TOP BOARD ROUND CORNER'S (1 SIDE 1.0MM THK HIGH PRESSURE LAMINATE / 1 SIDE VARNISH FINISHES ON MARINE PLYWOOD)
B	EDGING	2.0MM THICK PVC EDGING
C	SIDE COVER	6.0MM THICK MARINE PLYWOOD W/ HIGH PRESSURE LAMINATE
D	FRONT COVER	6.0MM THICK MARINE PLYWOOD W/ HIGH PRESSURE LAMINATE
E	PULL OUT DRAWER	DRAWER FACE : 1 SIDE 1.0MM THK HIGH PRESSURE LAMINATE / 1 SIDE VARNISH FINISHES ON 18MM THICK MARINE PLYWOOD DRAWER BOX : 12mm THK MARINE PLYWOOD W/ SOLID WOOD EDGING VARNISH FINISHED DRAWER LOCK : 1 LOCK ONLY PER TABLE,
	DRAWER GUIDE	400MM LONG RAIL GUIDE (BALL BEARING TYPE)
F	LEG	1.0MMTHKX30MMX30MM STEEL TUBULAR
G	BRACES	1.0MMTHKX30MMX30MM STEEL TUBULAR
H	ADJUSTABLE LEVELER	8MMØ THREAD WITH 38MMØ PLASTIC BASE
	CONNECTION	STEEL TO STEEL: FULL WELDING WOOD TO STEEL: THREADED NUTS E-TYPE HEX M6 X13mm LENGTH (TABLE TOP) BLIND RIVETS (FRONT COVER / SIDE COVER) WOOD TO WOOD: WOOD GLUE AND FINISHING NAILS



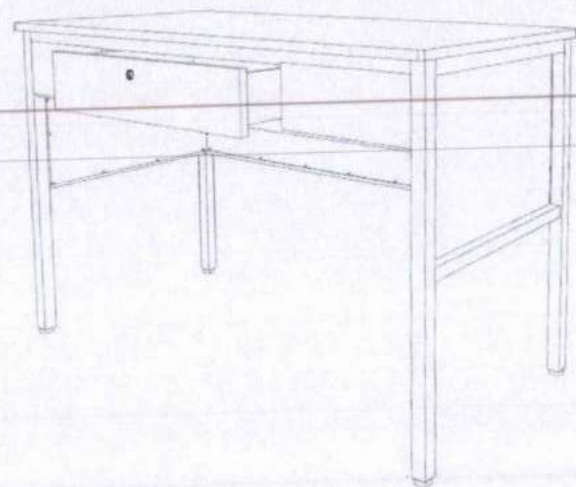
1 ISOMETRIC VIEW OF TEACHER'S TABLE
SCALE 1:1

2a SCHEDULE OF FINISHES	
TOP BOARD	18MM THK TOP BOARD ROUND CORNER'S (1 SIDE 1.0MM THK HIGH PRESSURE LAMINATE / 1 SIDE VARNISH FINISHES ON MARINE PLYWOOD)
EDGING	2.0MM THICK PVC EDGING
METAL/STEEL TUBULAR	POWDER COATED (BLACK); SMOOTH, GLOSSY FINISH
LAMINATE COLOR	PANTONE 729C OR COLOR HEX #ba7c45 / RGB 186, 124, 69 / CMYK 0%, 33%, 63%, 27% WITH WOOD GRAIN (SERANO BEECH OR EQUIVALENT)

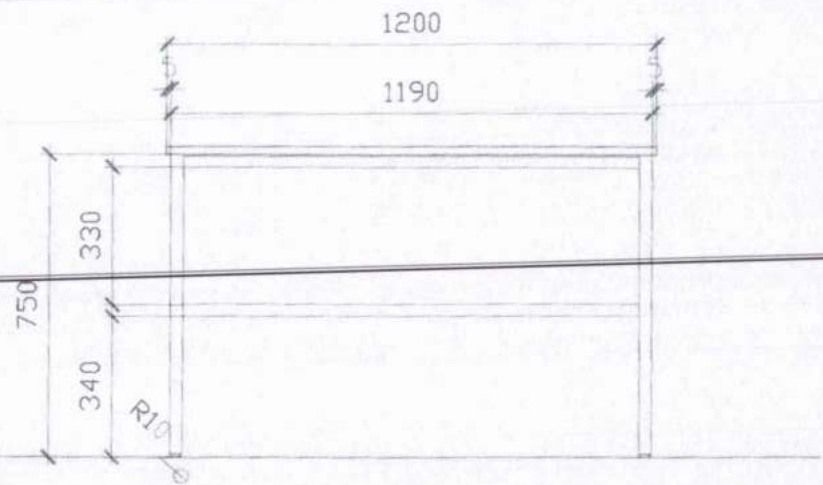
3 DIMENSIONS OF TEACHER'S TABLE (mm) (TOLERANCE ± 10mm)		
MARK	COMPONENTS	DIMENSIONS
a	TABLE HEIGHT	750
b	TABLE LENGTH	1200
c	TABLE WIDTH	600



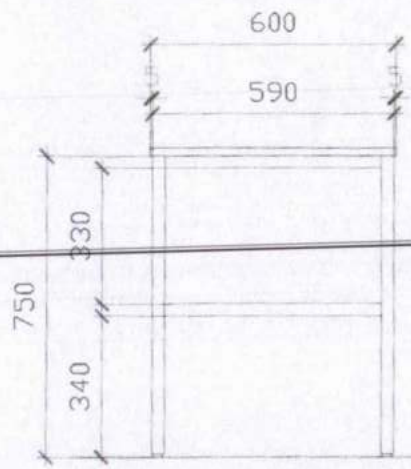
PLAN



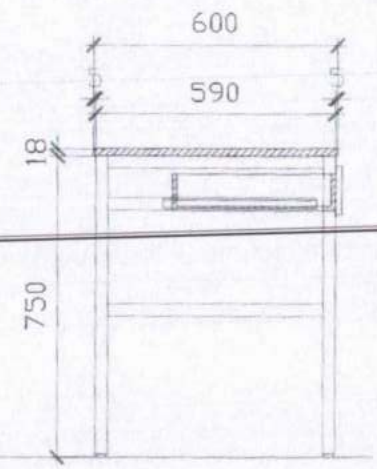
PERSPECTIVE



FRONT ELEV.



RIGHT SIDE ELEVATION



SECTION



REPUBLIC OF THE PHILIPPINES
DepED
 DEPARTMENT OF EDUCATION
 EDUCATION FACILITIES DIVISION
 MERRILL AVENUE, PASIG CITY

DRAWN BY:

 ARCHITECT

RECOMMENDING APPROVAL:

 ENGR. ANABELLE B. ANON
 CHIEF, EDUCATION FACILITIES DIVISION

APPROVED BY:

 DEPED DIVISION OFFICE - MARIKINA
 Undersecretary for School Infrastructure and Facilities

CONCORDED BY:

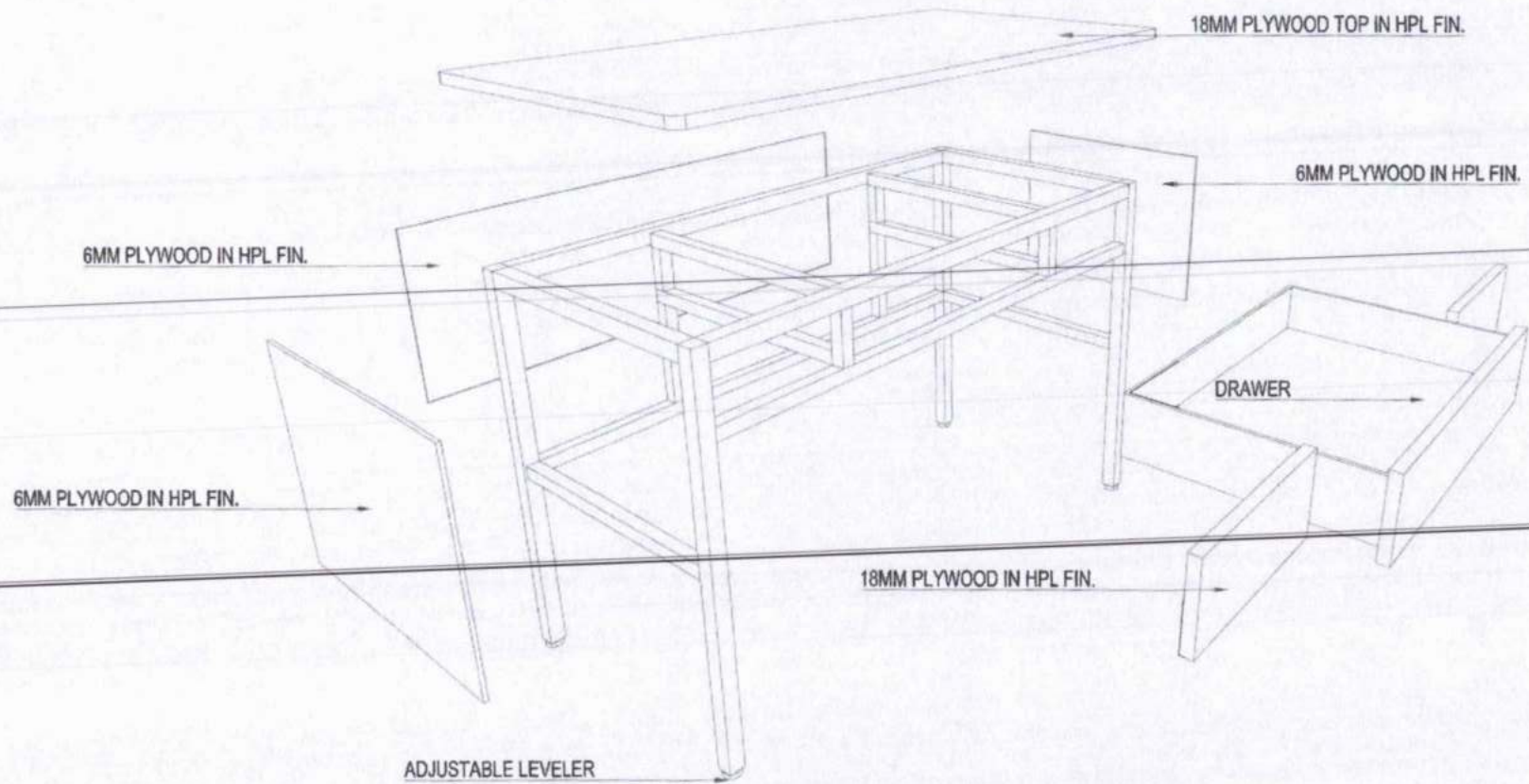
 GINA O. GIRON
 Undersecretary for Curriculum and Teaching

PROJECT TITLE:
 TEACHER'S TABLE
 (WOOD & STEEL)


SHEET CONTENTS
 PLAN
 PERSPECTIVE
 FRONT ELEVATION
 SECTION

SHEET NO:
 2
 5

TEACHER'S TABLE



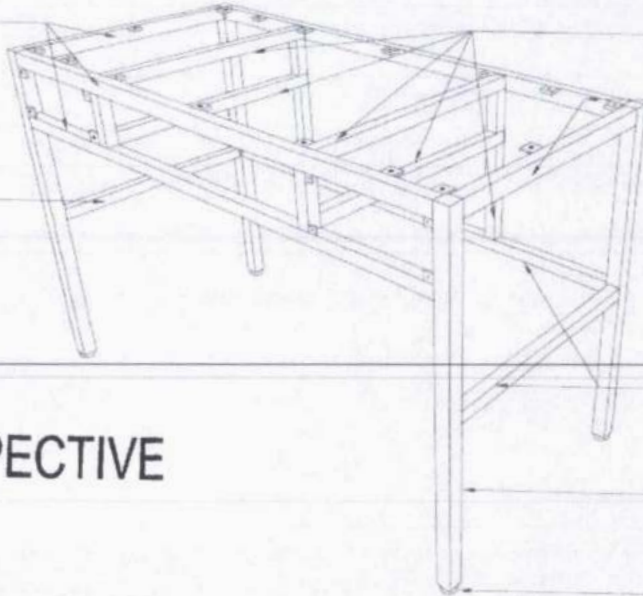
EXPLODED VIEW

 <p>REPUBLIC OF THE PHILIPPINES DepED DEPARTMENT OF EDUCATION EDUCATION FACILITIES DIVISION RESEARCH & DEVELOPMENT DIVISION</p>	<p>DRAWN BY: <i>[Signature]</i> J. MARVIN G. ALARSO ARCH/REC</p>	<p>RECOMMENDING APPROVAL: <i>[Signature]</i> ENGR. ALVIN B. [Name] CHIEF - EDUCATION FACILITIES DIVISION</p>	<p>APPROVED BY: <i>[Signature]</i> ENRICO VALENZUELA III Undersecretary for School Infrastructure and Facilities</p>	<p>CONCURRED BY: <i>[Signature]</i> GINA O. GONONG Undersecretary for Curriculum and Teaching</p>	<p>PROJECT TITLE: TEACHER'S TABLE (WOOD & STEEL)</p>	<p>SHEET CONTENTS TEACHER'S TABLE EXPLODED VIEW</p>	<p>SHEET NO: 3 5</p>
---	--	--	--	---	--	---	------------------------------

METAL FRAMING DETAIL

30X30X1MM TUBULAR
IN BLACK POWDER
COAT FIN.

30X30X1MM TUBULAR
IN BLACK POWDER
COAT FIN.



PERSPECTIVE

30X30X1MM TUBULAR
IN BLACK POWDER
COAT FIN.

30X30X1MM TUBULAR
IN BLACK POWDER
COAT FIN.

30X30X1MM TUBULAR
IN BLACK POWDER
COAT FIN.

30X30X1MM TUBULAR
POST IN BLACK POWDER
COAT FIN.

ADJUSTABLE
GLIDES

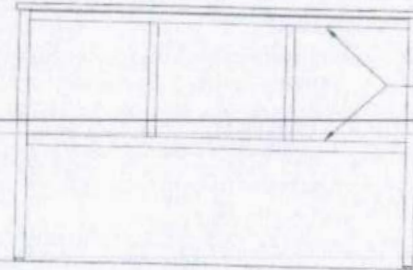
397 397 397

30X30X1MM TUBULAR
BRACE IN BLACK POWDER
COAT FIN.

30X30X1MM TUBULAR
IN BLACK POWDER
COAT FIN.

TOP

25mmX50mmX1MM THK.
POWDER COATED STEEL
FLAT BAR



30X30X1MM TUBULAR
IN BLACK POWDER
COAT FIN.

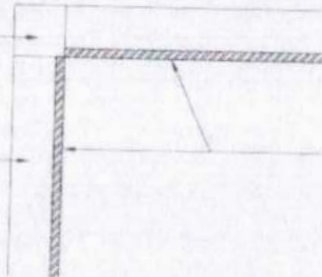
30X30X1MM TUBULAR
POST IN BLACK POWDER
COAT FIN.

FRONT

590

30X30X1MM TUBULAR
POST IN BLACK POWDER
COAT FIN.

30X30X1MM TUBULAR
BRACE IN BLACK POWDER
COAT FIN.



6MM PLYWOOD IN HPL FIN.

TOP VIEW SECTION

30X30X1MM TUBULAR
IN BLACK POWDER
COAT FIN.

30X30X1MM TUBULAR
POST IN BLACK POWDER
COAT FIN.

SIDE VIEW



REPUBLIC OF THE PHILIPPINES
DepED
DEPARTMENT OF EDUCATION
EDUCATION FACILITIES DIVISION
MERRILL AVENUE, MANILA CITY

DESIGNED BY :

JET P. RAMON
ARCHITECT

RECOMMENDING APPROVAL :

ENR. ANNECEL
CHIEF - EDUCATION ACQUIRES DIVISION

APPROVED BY :

FRANCOIS G. GONZALEZ III
Undersecretary for School Infrastructure
and Facilities

CONCURRED BY :

GINA O. GONDONG
Undersecretary for Curriculum and Teaching

PROJECT TITLE :

TEACHER'S TABLE
(WOOD & STEEL)

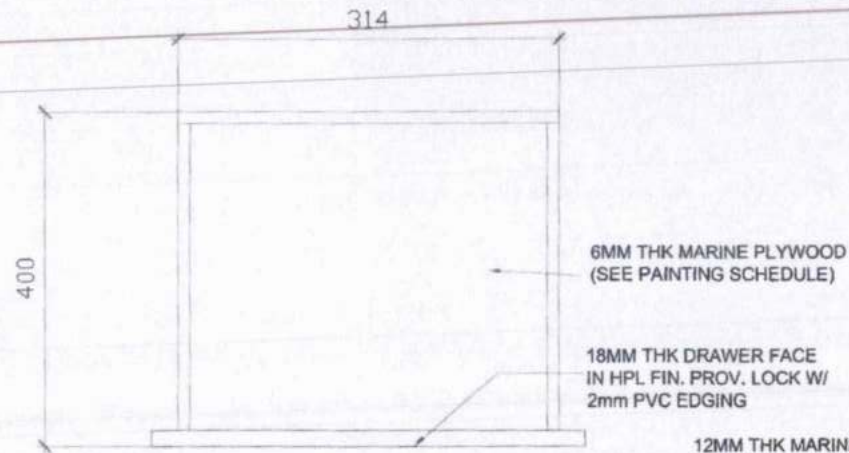
SHEET CONTENTS

METAL FRAMING PERSPECTIVE

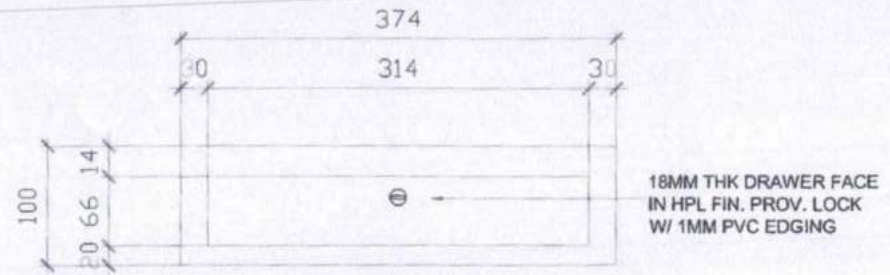
SHEET NO.

4
5

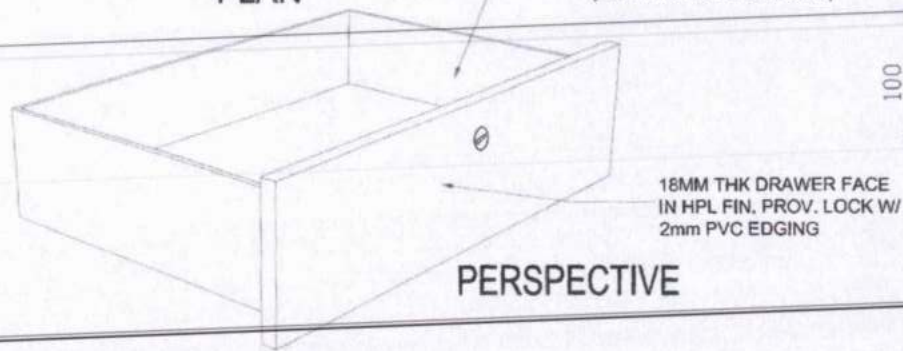
METAL CENTRAL DRAWER DETAIL



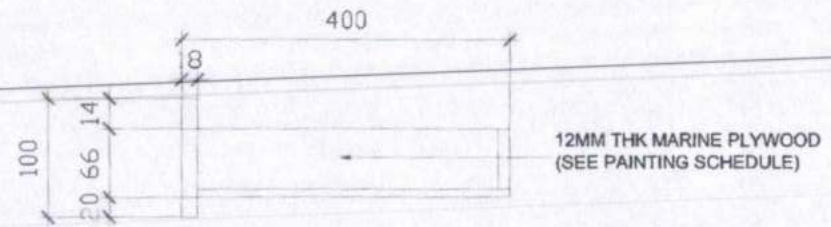
PLAN



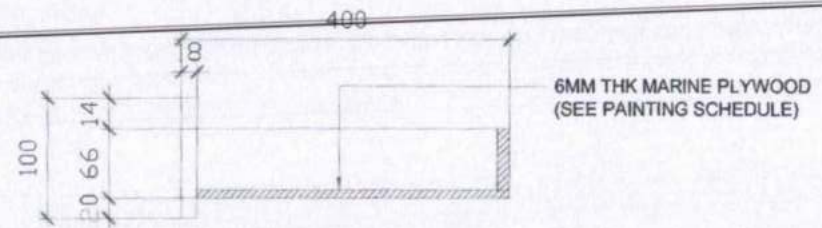
FRONT ELEV.



PERSPECTIVE



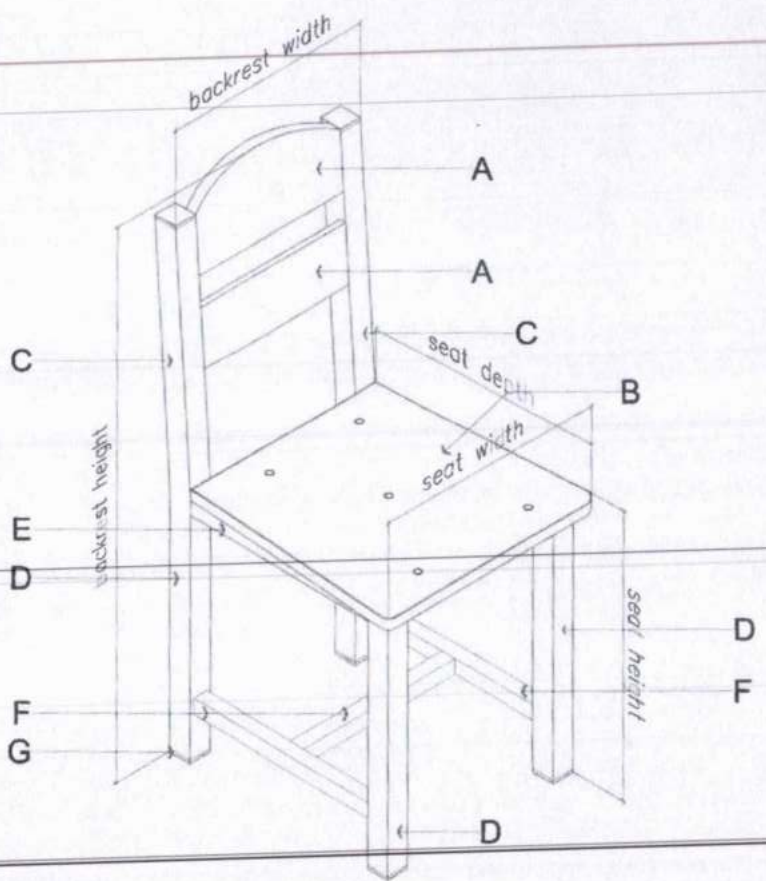
RIGHT SIDE VIEW



SECTION

PAINTING SCHEDULE

SANDING	ALL SURFACE TO BE COATED SHALL BE SMOOTHLY SANDED
1ST COAT	OIL WOOD STAIN - WHITE OAK FULL COLOR
INTERMEDIATE COAT	LACQUER SANDING SEALER
TOP COAT	CLEAR GLOSS LACQUER (2 COATS)



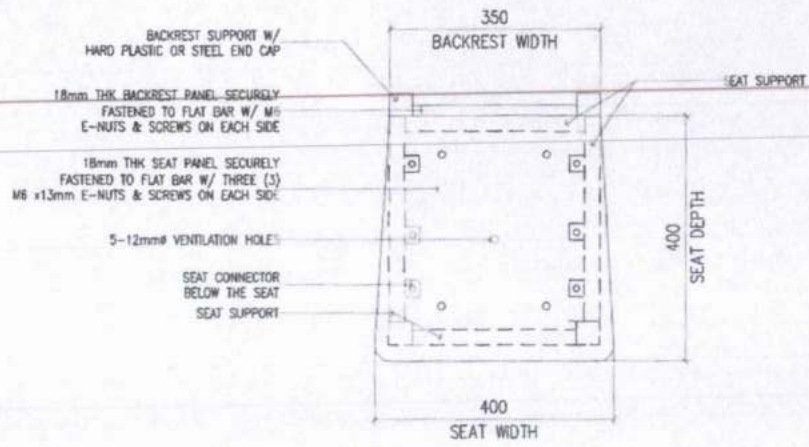
1 ISOMETRIC- TEACHER'S CHAIR
1 SCALE - M

NOTES:
WOOD GLUE SHALL BE APPLIED BEFORE INSERTING E-NUT INTO THE PLYWOOD
CORNERS OF BACKREST & SEAT PANELS MUST BE ROUNDED

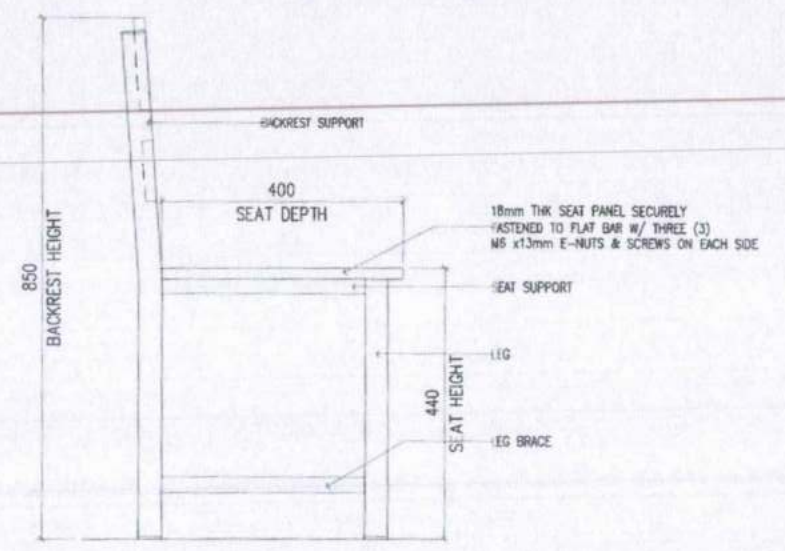
1 TECHNICAL SPECIFICATIONS OF TEACHER'S CHAIR		
MARK	COMPONENT	SPECIFICATIONS
A	BACKREST	18mm THK BACKREST PANEL (0.9mm THK HIGH PRESSURE LAMINATE ON MARINE PLYWOOD) W/ PVC EDGING
B	SEAT	18mm THK SEAT PANEL (0.9mm THK HIGH PRESSURE LAMINATE ON MARINE PLYWOOD) W/ PVC EDGING & 5 VENT HOLES (12mmØ)
C	BACKREST SUPPORT	0.8mm THK x 30mm x 30mm STEEL TUBULAR
D	LEG	0.8mm THK x 30mm x 30mm STEEL TUBULAR
E	SEAT SUPPORT	1mm THK x 30mm x 30mm STEEL TUBULAR
F	LEG BRACE	1mm THK x 30mm x 30mm STEEL TUBULAR
G	FOOTING	HARD PLASTIC (BLACK)
	EDGING	PVC EDGING
	CONNECTION	
	WOOD TO STEEL	1mm THK x 25mm x 75mm FLAT BAR (FOR BACKREST - 1) 1mm THK x 25mm x 50mm FLAT BAR (FOR BACKREST - 2) 1mm THK x 25mm x 50mm FLAT BAR (SEAT) M6 x13mm E-NUT AND SCREW (WOOD INSERT)
	STEEL TO STEEL	FULL WELDING - FOR TUBULAR TO TUBULAR CONNECTIONS; ADEQUATE WELDING - FOR B.I. PIPE TO FLAT BAR CONNECTIONS

2 SCHEDULE OF FINISHES	
BACKREST & SEAT	HIGH PRESSURE WOOD GRAIN LAMINATE W/ PVC EDGING
METAL / STEEL	POWDER COATED (BLACK); SMOOTH, GLOSSY FINISH
LAMINATE COLOR	SERANO BEECH OR EQUIVALENT

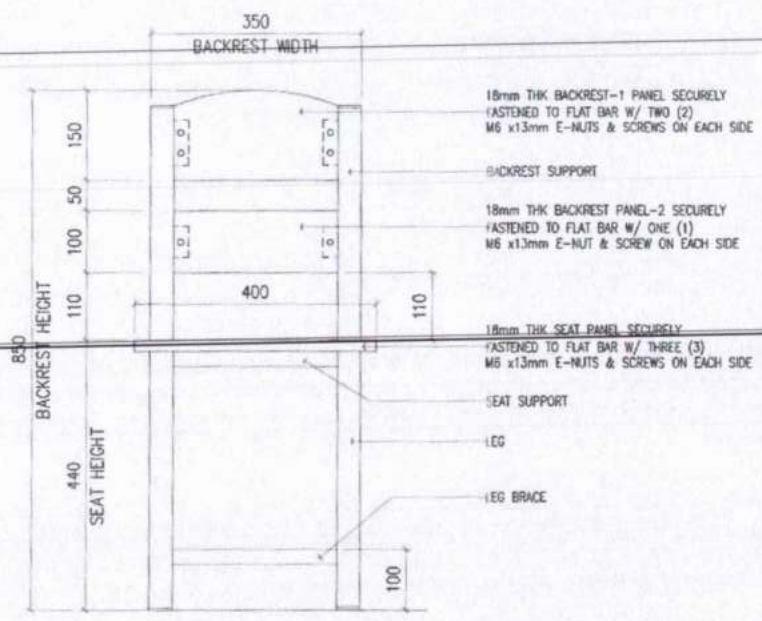
3 DIMENSIONS OF TEACHER'S CHAIR (TOLERANCE OF ±10mm)	
COMPONENT	DIMENSIONS (mm)
SEAT HEIGHT	440
SEAT DEPTH	400
SEAT WIDTH	400
BACKREST HEIGHT	850
BACKREST WIDTH	350



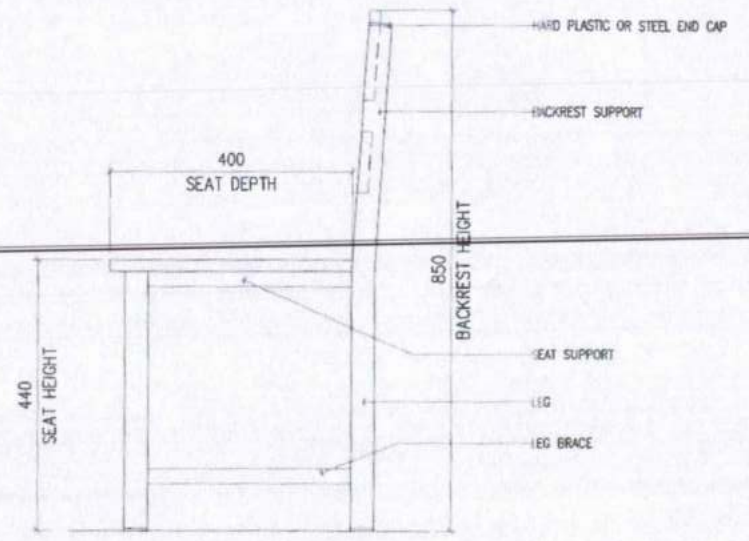
1 PLAN
2 SCALE 1 : 50 M



3 LEFT-SIDE ELEVATION
2 SCALE 1 : 50 M



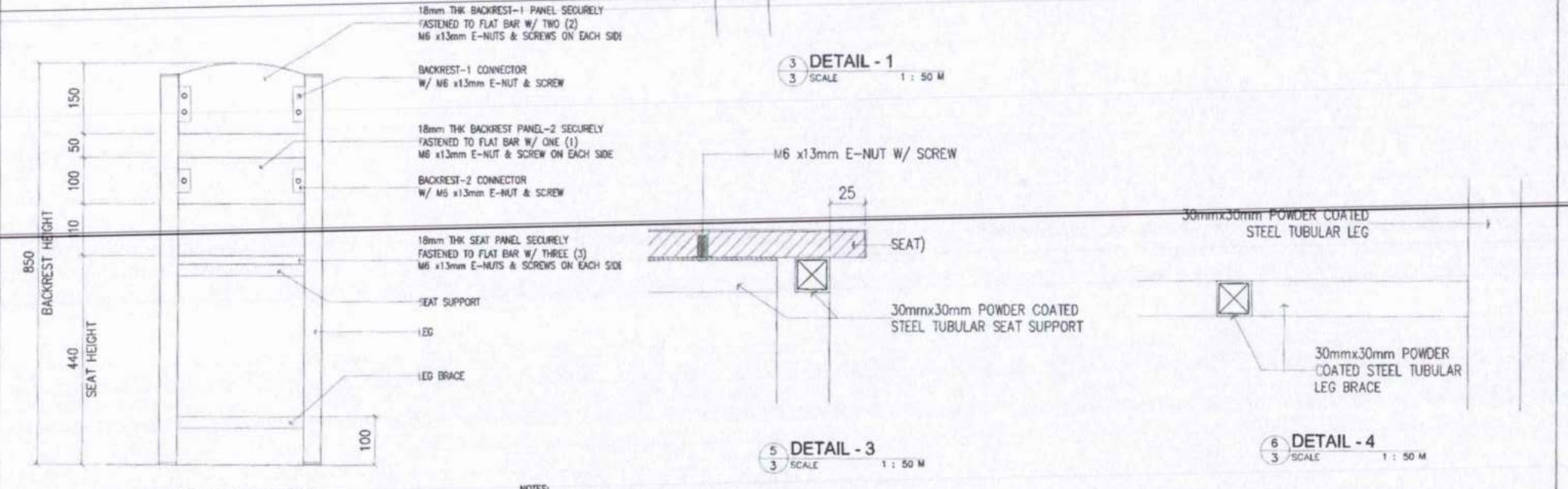
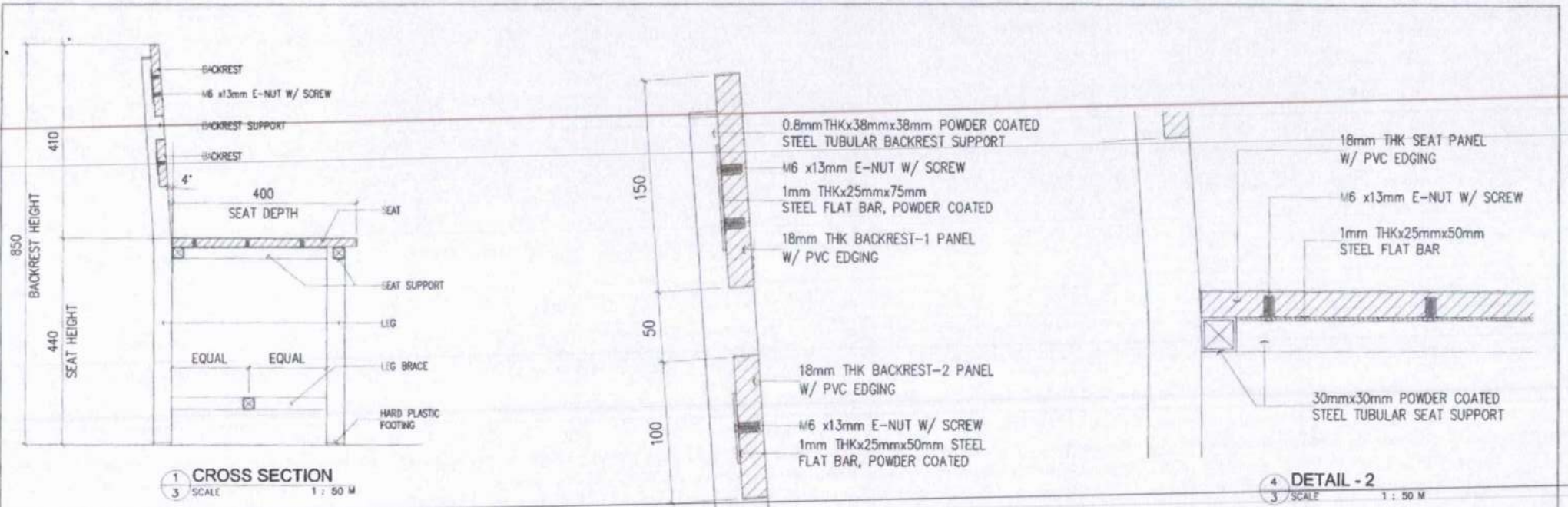
2 FRONT ELEVATION
2 SCALE 1 : 50 M



4 RIGHT-SIDE ELEVATION
2 SCALE 1 : 50 M

NOTES:
WOOD GLUE SHALL BE APPLIED BEFORE INSERTING E-NUT INTO THE PLYWOOD CORNERS OF BACKREST & SEAT PANELS MUST BE ROUNDED

<p>REPUBLIC OF THE PHILIPPINES DEPARTMENT OF EDUCATION EDUCATION FACILITIES DIVISION MERRILL AVENUE, PASIG CITY</p>	DESIGN BY: JET RAMONDO T. ALVARADO ARCHITECT	RECOMMENDING APPROVAL: ENGR. ANABELLE M. GARCIA CHIEF - EDUCATION FACILITIES DIVISION	APPROVED BY: EPMACO V. DINISING Undersecretary for School Infrastructure and Facilities	CONCURRED BY: GINA D. ONONG Undersecretary for Curriculum and Teaching	PROJECT TITLE: TEACHER'S CHAIR (WOOD & STEEL)	SHEET CONTENTS: PLANS & ELEVATIONS - TEACHER'S CHAIR	SHEET NO: 2 3



NOTES:
WOOD GLUE SHALL BE APPLIED BEFORE INSERTING E-NUT INTO THE PLYWOOD
CORNERS OF BACKREST & SEAT PANELS MUST BE ROUNDED

<p>REPUBLIC OF THE PHILIPPINES DepEd DEPARTMENT OF EDUCATION EDUCATIONAL FACILITIES DIVISION MORALIST AVENUE, PASAY CITY</p>	DESIGN BY: RAYMOND G. ALARICO ARCHITECT	RECOMMENDING APPROVAL: ENGR. ANNABELLE CHIEF - EDUCATION FACILITIES DESIGN	APPROVED BY: RAMON V. LINSING II Undersecretary for School Infrastructure and Facilities	CONCURRED BY: GINA D. GUNING Undersecretary for Curriculum and Teaching	PROJECT TITLE: TEACHER'S CHAIR (WOOD & STEEL)	SHEET CONTENTS CROSS SECTION REAR ELEVATION SPOT DETAILS	SHEET NO. <div style="border: 1px solid black; border-radius: 50%; width: 30px; height: 30px; display: flex; align-items: center; justify-content: center;"> 3 </div>
	<div style="border: 1px solid black; border-radius: 50%; width: 30px; height: 30px; display: flex; align-items: center; justify-content: center;"> 3 </div>						