

DEPARTMENT OF EDUCATION
 CY 2023 BASIC EDUCATIONAL FACILITIES FUND
 PROVISION OF SCHOOL FURNITURE - 75% Allocation for Regular Supplier

Summary

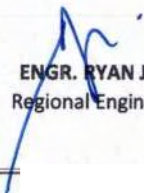
Division	No. of Sites	Elem. Individual Learner Table & Chair Set	JHS Individual Learner Table & Chair Set	SHS Individual Learner Table & Chair Set	Teacher's Table & Chair Set	Science Laboratory Table & Stool Set	Working Table & Stool Set
Baybay City	3	0	540	0	12	0	42
Leyte	32	3195	765	0	88	28	0
Maasin City	1	0	0	440	11		
Ormoc City	4	765	0	0	17		
Southern Leyte	17	1135	1180	228	57	0	7
Tacloban City	1	270	0	0	6		
Borongan City	2	0	180	0	4	0	14
Eastern Samar	14	450	1170	0	36	0	105
Northern Samar	31	2430	2025	0	99	14	0
Samar (Western Samar)	13	1125	270	80	33	0	0
Grand Total	118	9370	6130	748	363	42	168

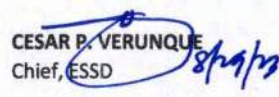
Prepared by:

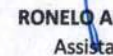
Checked by:

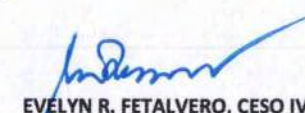
Recommending Approval:

Approved:


 ENGR. RYAN JAY L. BAGON
 Regional Engineer, Head -EFS


 CESAR P. VERUNQUE
 Chief, ESSD


 RONELO AL K. FIRMO PhD, CESO V
 Assistant Regional Director


 EVELYN R. FETALVERO, CESO IV
 Regional Director

REPUBLIC OF THE PHILIPPINES
DEPARTMENT OF EDUCATION
CY 2023 BASIC EDUCATIONAL FACILITIES FUND
PROVISION OF SCHOOL FURNITURE - 75% Allocation for Regular Supplier

Region	Division	School ID	School Name	Municipality	LD	No. of Sites	Elem. Individual Learner Table & Chair Set	JHS Individual Learner Table & Chair Set	SHS Individual Learner Table & Chair Set	Teacher's Table & Chair Set	Science Laboratory Table & Stool Set	Working Table & Stool Set
Region VIII	Baybay City	303360	Caridad National High School	CITY OF BAYBAY	5	1	-	90	-	2		-
Region VIII	Baybay City	313316	Baybay City National Night HS	CITY OF BAYBAY	5		-	90	-	2		-
Region VIII	Baybay City	313316	Baybay City National Night HS	CITY OF BAYBAY	5	1	-	90	-	2	-	14
Region VIII	Baybay City	313323	Ciabu NHS	CITY OF BAYBAY	5		-	90	-	2	-	-
Region VIII	Baybay City	313323	Ciabu NHS	CITY OF BAYBAY	5	1	-	180	-	4	-	28
Region VIII	Borongan City	303525	Sta. Fe NHS	CITY OF BORONGAN (Capital)	0	1	-	90	-	2	-	7
Region VIII	Borongan City	313515	E. Samar NCHS - Supt. Fidel E. Anacta, Sr. MHS Annex	CITY OF BORONGAN (Capital)	0	1	-	90	-	2	-	7
Region VIII	Eastern Samar	313501	Can-avid NHS	CAN-AVID	0	1	-	90	-	2	-	14
Region VIII	Eastern Samar	313521	Dapdap National Technical Vocational HS	DOLORES	0	1	-	90	-	2	-	7
Region VIII	Eastern Samar	313521	Dapdap National Technical Vocational HS	DOLORES	0		-	90	-	2	-	7
Region VIII	Eastern Samar	303501	Gen. MacArthur National Agricultural School	GENERAL MACARTHUR	0	1	-	-	-		-	7
Region VIII	Eastern Samar	303508	Homonhon NHS	GUIJUAN	0	1	-	90	-	2	-	14
Region VIII	Eastern Samar	303510	Jipapad NHS	JIPAPAD	0	1	-	-	-		-	7
Region VIII	Eastern Samar	303513	Llorente NHS	LLORENTE	0	1	-	90	-	2	-	7
Region VIII	Eastern Samar	303513	Llorente NHS	LLORENTE	0		-	90	-	2	-	7
Region VIII	Eastern Samar	303513	Llorente NHS	LLORENTE	0		-	90	-	2	-	7
Region VIII	Eastern Samar	303515	Maslog NHS	MASLOG	0	1	-	-	-		-	14
Region VIII	Eastern Samar	303518	Mercedes NHS	MERCEDES	0	1	-	-	-		-	14
REGION VIII	Eastern Samar	303522	Quinapondan National High School To Salcedo National High School	Quinapondan	0	1	-	540	-	12		
REGION VIII	Eastern Samar	122720	Capanoypoyan Primary School To Taclaon Es	Salcedo	0	1	90	-	-	2		
Region VIII	Eastern Samar	122735	Bangon Elementary School	SAN POLICARPO	0	1	90	-	-	2	-	-

REPUBLIC OF THE PHILIPPINES

DEPARTMENT OF EDUCATION

CY 2023 BASIC EDUCATIONAL FACILITIES FUND

PROVISION OF SCHOOL FURNITURE - 75% Allocation for Regular Supplier

Region	Division	School ID	School Name	Municipality	LD	No. of Sites	Elem. Individual Learner Table & Chair Set	JHS Individual Learner Table & Chair Set	SHS Individual Learner Table & Chair Set	Teacher's Table & Chair Set	Science Laboratory Table & Stool Set	Working Table & Stool Set
REGION VIII	Eastern Samar	122761	Pangabutan Primary School To Binaloan Es	Taft	0	1	45	-	-	1		
REGION VIII	Eastern Samar	122768	Lupok Central Elementary School To Malinao Es	Taft	0	1	180	-	-	4		
REGION VIII	Eastern Samar	122771	Danao Elementary School To Polangi Es	Taft	0	1	45	-	-	1		
Region VIII	Leyte	120972	Lukay Elementary School	ALANGALANG	1	1	135	-	-	3		
Region VIII	Leyte	120973	Montano Elementary School	ALANGALANG	1	1	135	-	-	3		
Region VIII	Leyte	121005	Babatngon Central School	BABATNGON	1	1	180	-	-	4		
Region VIII	Leyte	121736	Anahaway Elementary School	PALO	1	1	90	-	-	2		
Region VIII	Leyte	121764	San Jose Elementary School	PALO	1	1	270	-	-	6		
Region VIII	Leyte	121882	Victoria Elementary School	SANTA FE	1	1	90	-	-	2	-	-
Region VIII	Leyte	121940	Maribi Elementary School	TANAUAN	1	1	270	-	-	6		
Region VIII	Leyte	121946	Burak Elementary School	TOLOSA	1	1	90	-	-	2	-	-
Region VIII	Leyte	121242	Guinadiong Elementary School	CAPOCCAN	2	1	90	-	-	2		
Region VIII	Leyte	121521	Caridad Elementary School	Julita	2	1	90	-	-	2	-	-
Region VIII	Leyte	121560	Buracan Elementary School	La Paz	2	1	90	-	-	2	-	-
Region VIII	Leyte	121621	MacArthur Central School	Mac Arthur	2	1	90	-	-	2	-	-
Region VIII	Leyte	121711	Talisay Elementary School	Mayorga	2	1	90	-	-	2	-	-
Region VIII	Leyte	121809	Aringit Primary School	Pastrana	2	1	90	-	-	2	-	-
Region VIII	Leyte	121907	Amandangay Elementary School	Tabontabon	2	1	90	-	-	2	-	-
Region VIII	Leyte	121961	Tunga Central School	Tunga	2	1	90	-	-	2	-	-
Region VIII	Leyte	121209	Bunacan Elementary School	CALUBIAN	3	1	135	-	-	3		
Region VIII	Leyte	121975	Tabunoc Elementary School	VILLABA	3	1	135	-	-	3		

REPUBLIC OF THE PHILIPPINES

DEPARTMENT OF EDUCATION

CY 2023 BASIC EDUCATIONAL FACILITIES FUND

PROVISION OF SCHOOL FURNITURE - 75% Allocation for Regular Supplier

Region	Division	School ID	School Name	Municipality	LD	No. of Sites	Elem. Individual Learner Table & Chair Set	JHS Individual Learner Table & Chair Set	SHS Individual Learner Table & Chair Set	Teacher's Table & Chair Set	Science Laboratory Table & Stool Set	Working Table & Stool Set
Region VIII	Leyte	120992	Soob Elementary School	ALBUERA	4	1	90	-	-	2		
Region VIII	Leyte	303368	Dr. Geronimo B. Zaldivar Memorial School of Fisheries	ALBUERA	4	1	-	135	-	3		
Region VIII	Leyte	121541	Libongao Elementary School	KANANGA	4	1	90	-	-	2		
Region VIII	Leyte	121551	San Ignacio Elementary School	KANANGA	4	1	90	-	-	2		
Region VIII	Leyte	121658	Cambadbad Elementary School	MATAG-OB	4	1	90	-	-	2		
Region VIII	Leyte	121667	Naulayan Elementary School	MATAG-OB	4	1	90	-	-	2		
Region VIII	Leyte	121726	Macario Elementary School	Merida	4	1	90	-	-	2	-	-
Region VIII	Leyte	121770	Lomonon Elementary School	PALOMPON	4	1	90	-	-	2		
Region VIII	Leyte	121788	Cangcosme Elementary School	PALOMPON	4	1	90	-	-	2		
Region VIII	Leyte	303385	Kikilo National High School	ABUYOG	5	1	-	90	-	2		
Region VIII	Leyte	303338	Anahawan National High School	BATO	5	1	-	90	-	2		
Region VIII	Leyte	191544	Magnangoy Primary School	HILONGOS	5	1	90	-	-	2		
Region VIII	Leyte	303374	Hilongos National Vocational School	HILONGOS	5		-	90	-	2	14	-
Region VIII	Leyte	303374	Hilongos National Vocational School	HILONGOS	5		-	90	-	2	-	-
Region VIII	Leyte	303374	Hilongos National Vocational School	HILONGOS	5		-	90	-	2	14	-
Region VIII	Leyte	303374	Hilongos National Vocational School	HILONGOS	5		-	90	-	2	-	-
Region VIII	Leyte	121410	Ma-asin Elementary School	Hindang	5	1	135	-	-	3	-	-
Region VIII	Leyte	303370	Esperanza National High School	MATALOM	5	1	-	90	-	2		
Region VIII	Maasin City	500399	Asuncion Integrated School	CITY OF MAASIN (Capital)	0	1	-	-	440	11		
Region VIII	Northern Samar	122783	Jubasan Elementary School	ALLEN	1	1	180	-	-	4	-	-
Region VIII	Northern Samar	122794	Langub-Langub Elementary School	BIRI	1	1	90	-	-	2	-	-

REPUBLIC OF THE PHILIPPINES

DEPARTMENT OF EDUCATION

CY 2023 BASIC EDUCATIONAL FACILITIES FUND

PROVISION OF SCHOOL FURNITURE - 75% Allocation for Regular Supplier

Region	Division	School ID	School Name	Municipality	LD	No. of Sites	Elem. Individual Learner Table & Chair Set	JHS Individual Learner Table & Chair Set	SHS Individual Learner Table & Chair Set	Teacher's Table & Chair Set	Science Laboratory Table & Stool Set	Working Table & Stool Set
Region VIII	Northern Samar	122825	Landusan Elementary School	CAPUL	1	1	90	-	-	2	-	-
Region VIII	Northern Samar	122836	GENEROSO R. FRIGILLANA MS	CATARMAN	1	1	180	-	-	4		
Region VIII	Northern Samar	303543	Galutan NHS	CATARMAN (Capital)	1	1	-	180	-	4		
Region VIII	Northern Samar	303561	Basilio B. Chan Mem. Agricultural and Industrial Sch.	LAVEZARES	1	1	-	180	-	4		
Region VIII	Northern Samar	313623	GUILLERMO C. ADRIATICO, SR. NATIONAL HIGH SCHOOL	LAVEZARES	1	1	-	90	-	2		
Region VIII	Northern Samar	303563	Lope De Vega NHS	LOPE DE VEGA	1	1	-	180	-	4		
Region VIII	Northern Samar	123117	Cahicsan Elementary School	MONDRAGON	1	1	135	-	-	3	-	-
Region VIII	Northern Samar	303550	Francisca Dominice NHS	MONDRAGON	1	1	-	180	-	4		
Region VIII	Northern Samar	303568	Nenita National High School	MONDRAGON	1	1	-	180	-	4		
Region VIII	Northern Samar	313605	Leonardo M. Amigo High School	MONDRAGON	1	1	-	90	-	2		
Region VIII	Northern Samar	123192	Jamo-og Elementary School	ROSARIO	1	1	90	-	-	2	-	-
Region VIII	Northern Samar	303573	Rosario National High School	ROSARIO	1	1	-	180	-	4		
Region VIII	Northern Samar	123204	San Nicolas Elementary School	SAN ANTONIO	1	1	90	-	-	2	-	-
Region VIII	Northern Samar	123219	VERIATO ES	SAN ISIDRO	1	1	180	-	-	4		
Region VIII	Northern Samar	123222	Bonglas Primary School	SAN JOSE	1	1	90	-	-	2	-	-
Region VIII	Northern Samar	123247	San Vicente Central School	SAN VICENTE	1	1	90	-	-	2	-	-
Region VIII	Northern Samar	123278	Lungib Elementary School	VICTORIA	1	1	90	-	-	2	-	-
Region VIII	Northern Samar	303552	Gamay National High School	GAMAY	2	1	-	135	-	3		
Region VIII	Northern Samar	122943	Laoang I CS	LAOANG	2	1	180	-	-	4		
Region VIII	Northern Samar	122973	Burabud ES	LAOANG	2	1	180	-	-	4		
Region VIII	Northern Samar	122985	Rawis CS	LAOANG	2	1	270	-	-	6		

REPUBLIC OF THE PHILIPPINES

DEPARTMENT OF EDUCATION

CY 2023 BASIC EDUCATIONAL FACILITIES FUND

PROVISION OF SCHOOL FURNITURE - 75% Allocation for Regular Supplier

Region	Division	School ID	School Name	Municipality	LD	No. of Sites	Elem. Individual Learner Table & Chair Set	JHS Individual Learner Table & Chair Set	SHS Individual Learner Table & Chair Set	Teacher's Table & Chair Set	Science Laboratory Table & Stool Set	Working Table & Stool Set
Region VIII	Northern Samar	122987	SIMORA ES	LAOANG	2	1	135	-	-	3		
Region VIII	Northern Samar	304914	E.J. Dulay National High School	LAOANG	2	1	-	270	-	6		
Region VIII	Northern Samar	123001	Pio Del Pilar Elementary School	LAPINIG	2	1	90	-	-	2	-	-
Region VIII	Northern Samar	123104	Burgos Elementary School	MAPANAS	2	1	90	-	-	2	-	-
Region VIII	Northern Samar	123149	CAPACUJAN ES	PALAPAG	2	1	180	-	-	4		
Region VIII	Northern Samar	303539	Capacujan NHS	PALAPAG	2	1	-	90	-	2		
Region VIII	Northern Samar	303581	San Roque-Pambujan Vocational High School	PAMBUJAN	2	1	-	90	-	2	14	-
Region VIII	Northern Samar	303581	San Roque-Pambujan Vocational High School	PAMBUJAN	2		-	90	-	2	-	-
Region VIII	Northern Samar	313618	Balnasan National High School	SAN ROQUE	2	1	-	90	-	2		
Region VIII	Ormoc City	124204	Curva Elementary School	ORMOC CITY	4	1	135	-	-	3		
Region VIII	Ormoc City	124214	Liloan Central School	ORMOC CITY	4	1	90	-	-	2		
Region VIII	Ormoc City	194501	Ormoc City Central School	ORMOC CITY	4	1	270	-	-	6		
Region VIII	Ormoc City		Lilo-an National High School (ANNEX)	ORMOC CITY	4	1	270	-	-	6		
Region VIII	Samar (Western Samar)	123297	San Isidro PS	ALMAGRO	1	1	90	-	-	2	-	-
Region VIII	Samar (Western Samar)	123549	Matuguinao CES	MATUGUINAO	1	1	90	-	-	2	-	-
Region VIII	Samar (Western Samar)	123652	Calanyugan ES	PAGSANGHAN	1	1	90	-	-	2	-	-
Region VIII	Samar (Western Samar)	123750	Inoraguiao ES	SANTA MARGARITA	1	1	180	-	-	4		
Region VIII	Samar (Western Samar)	123807	Ilijan ES	SANTO NIÑO	1	1	90	-	-	2	-	-
Region VIII	Samar (Western Samar)	123826	San Vicente Elementary school	TAGAPUL-AN	1	1	90	-	-	2	-	-
Region VIII	Samar (Western Samar)	123831	Bahay ES	TARANGNAN	1	1	90	-	-	2		
Region VIII	Samar (Western Samar)	123831	Bahay ES	TARANGNAN	1		45	-	-	1		

REPUBLIC OF THE PHILIPPINES

DEPARTMENT OF EDUCATION

CY 2023 BASIC EDUCATIONAL FACILITIES FUND

PROVISION OF SCHOOL FURNITURE - 75% Allocation for Regular Supplier

Region	Division	School ID	School Name	Municipality	LD	No. of Sites	Elem. Individual Learner Table & Chair Set	JHS Individual Learner Table & Chair Set	SHS Individual Learner Table & Chair Set	Teacher's Table & Chair Set	Science Laboratory Table & Stool Set	Working Table & Stool Set
Region VIII	Samar (Western Samar)	281506	Flora Mabaet Mabansag Elementary School	JIABONG	2	1	90	-	-	2	-	-
Region VIII	Samar (Western Samar)	123620	Tinabanan ES	MARABUT	2	1	90	-	-	2	-	-
Region VIII	Samar (Western Samar)	313736	Pequit IS	PARANAS (WRIGHT)	2	1	-	270	-	6	-	-
Region VIII	Samar (Western Samar)	501374	Inobongan Integrated School	SAN SEBASTIAN	2	1	-	-	80	2	-	-
Region VIII	Samar (Western Samar)	123899	Navatas Guti Elementary School	TALALORA	2	1	90	-	-	2	-	-
Region VIII	Samar (Western Samar)	123974	Marapilit ES	ZUMARRAGA	2	1	90	-	-	2	-	-
Region VIII	Southern Leyte	303444	Anahawan National Vocational High Schoolchool	ANAHAWAN	0	1	-	145	-	3	-	-
Region VIII	Southern Leyte	192005	Guinsangaan MG Elementary School	BONTOC	0	1	180	-	-	4	-	-
Region VIII	Southern Leyte	303475	Paku NHS	BONTOC	0	1	-	135	-	3	-	-
Region VIII	Southern Leyte	501531	Beniton Integrated School	BONTOC	0	1	-	-	148	4	-	-
Region VIII	Southern Leyte	122046	San Pablo Elementary School	HINUNANGAN	0	1	135	-	-	3	-	-
Region VIII	Southern Leyte	303447	Hinunangan National High School	HINUNANGAN	0	1	-	315	-	7	-	-
Region VIII	Southern Leyte	303456	Estela National High School	LILOAN	0	1	-	180	-	4	-	-
Region VIII	Southern Leyte	303459	Himay-angan NHS	LILOAN	0	1	-	135	-	3	-	-
Region VIII	Southern Leyte	122223	Magallanes Elementary School	LIMASAWA	0	1	225	-	-	5	-	-
Region VIII	Southern Leyte	122180	Asuncion Multigrade ES	MACROHON	0	1	90	-	-	2	-	-
Region VIII	Southern Leyte	122210	Malitbog Central School	MALITBOG	0	1	145	-	-	3	-	-
Region VIII	Southern Leyte	303487	Sogod NHS	SOGOD	0	1	-	90	-	2	-	7
Region VIII	Southern Leyte	122218	Bunga Elementary Multi-Grade School	PADRE BURGOS	1	1	90	-	-	2	-	-
Region VIII	Southern Leyte	122321	San Isidro Elementary School	TOMAS OPPUS	1	1	90	-	-	2	-	-
Region VIII	Southern Leyte	303480	San Isidro NHS	TOMAS OPPUS	1	1	-	180	-	4	-	-

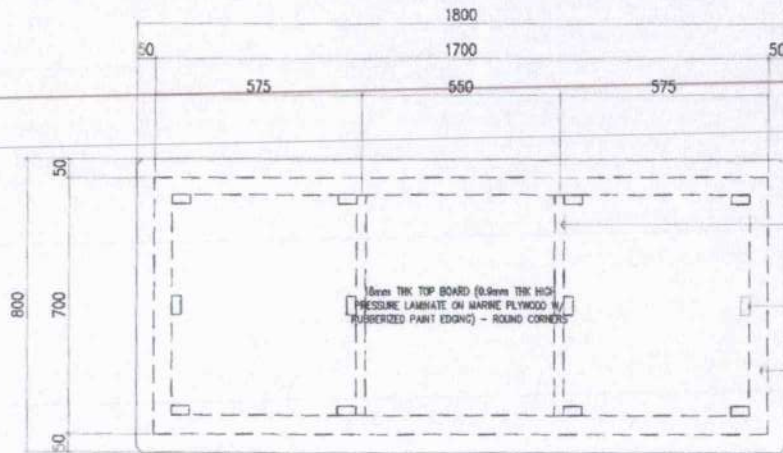
REPUBLIC OF THE PHILIPPINES

DEPARTMENT OF EDUCATION

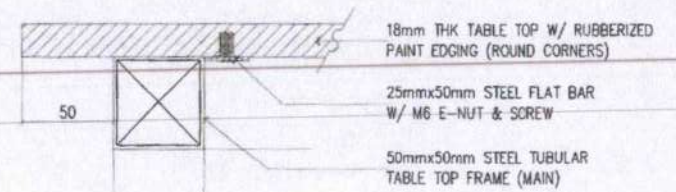
CY 2023 BASIC EDUCATIONAL FACILITIES FUND

PROVISION OF SCHOOL FURNITURE - 75% Allocation for Regular Supplier

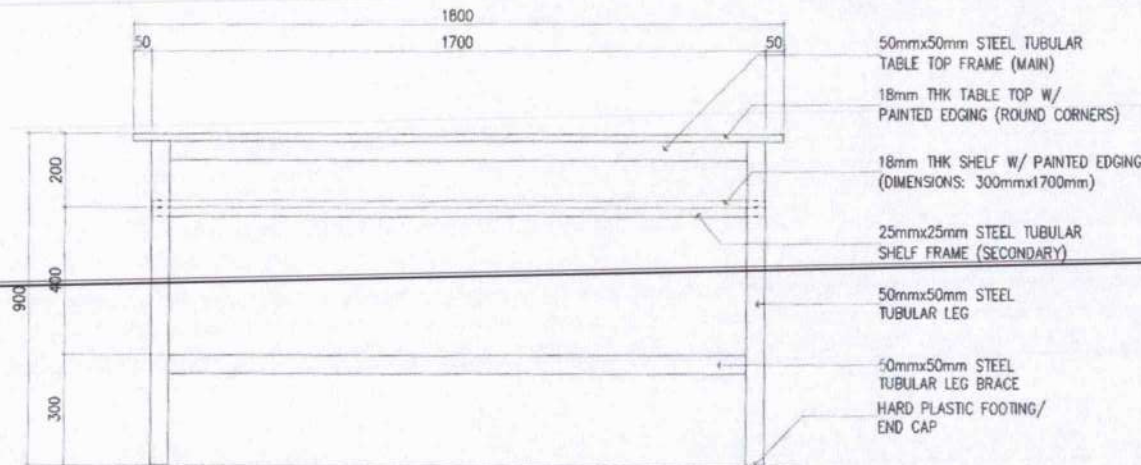
Region	Division	School ID	School Name	Municipality	LD	No. of Sites	Elem. Individual Learner Table & Chair Set	JHS Individual Learner Table & Chair Set	SHS Individual Learner Table & Chair Set	Teacher's Table & Chair Set	Science Laboratory Table & Stool Set	Working Table & Stool Set
Region VIII	Southern Leyte	122071	Hinundayan Central School	HINUNDAYAN	2	1	180	-	-	4	-	-
Region VIII	Southern Leyte	501048	Saub Integrated School	SAN RICARDO	2	1	-	-	80	2	-	-
Region VIII	Tacloban City	124233	Bayanihan ES	Tacloban City (Capital)	1	1	270	-	-	6	-	-
Region VIII Total						118	9,370	6,130	748	363	42	168



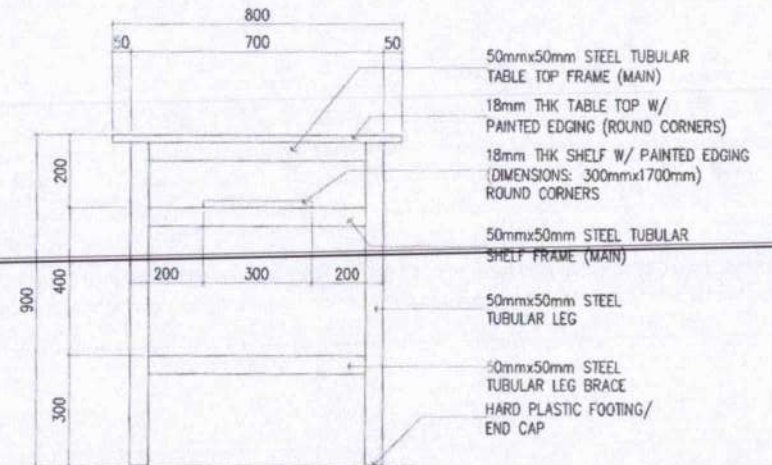
1 PLAN
2 SCALE 1 : 50 M



3 FRAME/FLAT BAR-BOARD CONNECTION DETAILS
2 SCALE 1 : 50 M



2 FRONT/REAR ELEVATION
2 SCALE 1 : 50 M



4 SIDE ELEVATION (TYPICAL)
2 SCALE 1 : 50 M

TECHNICAL SPECIFICATIONS OF SCIENCE LABORATORY TABLE

MARK	COMPONENT	SPECIFICATIONS
A	TABLE TOP	18mm THK TOP BOARD (0.9mm THK HIGH PRESSURE LAMINATE ON MARINE PLYWOOD) W/ WHITE RUBBERIZED PAINT EDGING - ROUND CORNERS
B	SHELF	18mm THK BOARD (0.9mm THK HIGH PRESSURE LAMINATE ON MARINE PLYWOOD) W/ WHITE RUBBERIZED PAINT EDGING - ROUND CORNERS (SHELF DIMENSIONS: 300mmx1700mm)
C	LEG	1.0mm THK x 50mm x 50mm STEEL TUBULAR
D	LEG BRACE	1.0mm THK x 50mm x 50mm STEEL TUBULAR
E	SHELF FRAME (MAIN)	1.0mm THK x 50mm x 50mm STEEL TUBULAR
F	SHELF FRAME (SECONDARY)	1.0mm THK x 25mm x 25mm STEEL TUBULAR
G	FOOT/LEG END CAP	HARD PLASTIC (BLACK)
	TABLE TOP FRAME (MAIN)	1.0mm THK x 50mm x 50mm STEEL TUBULAR
	TABLE TOP FRAME (SECONDARY)	1.0mm THK x 25mm x 25mm STEEL TUBULAR
	FASTENER	1mm THK x 25mm x 50mm STEEL FLAT BAR - FOR TABLE TOP: 12 PCS; FOR SHELF: 8 PCS
	FINISH	REFER TO SCHEDULE OF FINISHES
	CONNECTION	WOOD TO STEEL: M6 E-NUT: 6mmØ THREAD x 12mm OVERALL LENGTH; SCREWS (REFER TO DETAILS FOR WOOD TO STEEL CONNECTION) STEEL TO STEEL: -FULL WELDING FOR TUBULAR TO TUBULAR CONNECTIONS -ADEQUATE WELDING FOR TUBULAR TO FLAT BAR CONNECTIONS

SCHEDULE OF FINISHES

TABLE TOP & SHELF	0.9mm THK WHITE HIGH PRESSURE LAMINATE ON MARINE PLYWOOD W/ PAINTED EDGING
METAL / STEEL	ALL SURFACE SHALL BE POWDER COATED (BLACK); GLOSSY FINISH
LAMINATE COLOR	WHITE, GLOSSY

EDGING APPLICATION

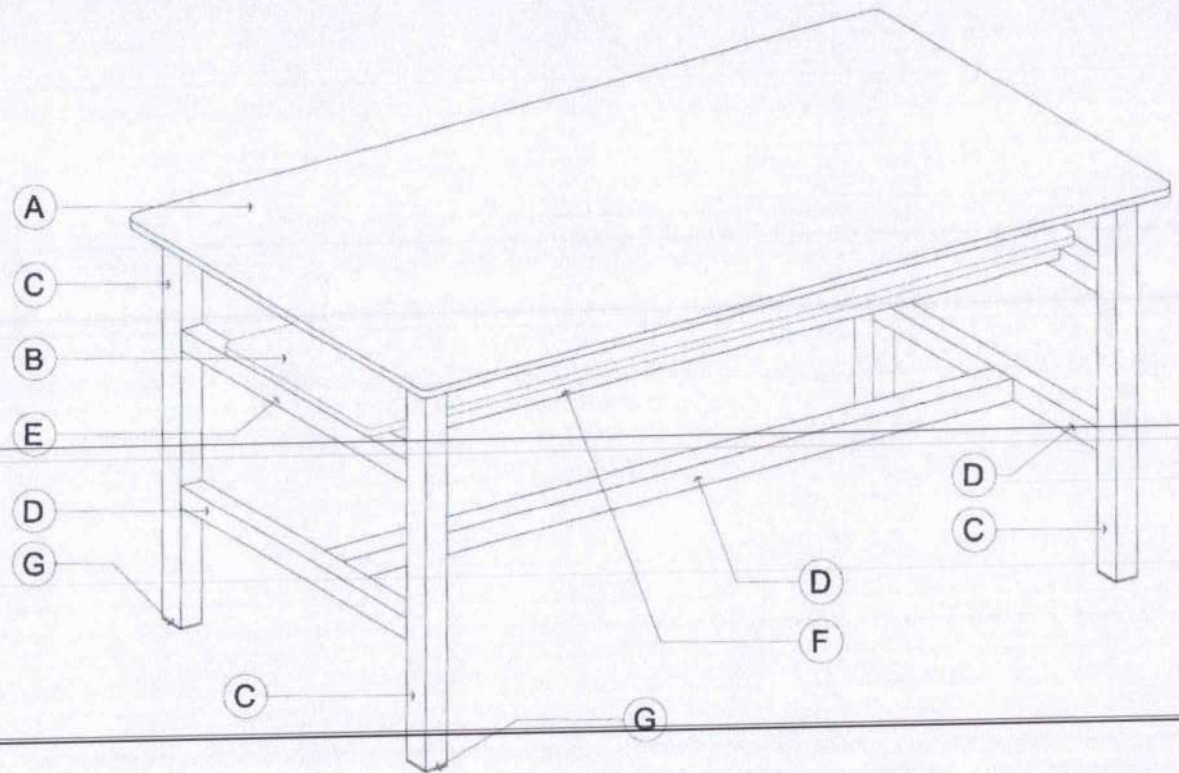
1	APPLY WOOD PUTTY EVENLY	3	APPLY AT LEAST THREE (3) COATS OF RUBBERIZED PAINT (GLOSSY)
2	SMOOTHEN SURFACE BY SANDING		

DIMENSIONS OF SCIENCE LABORATORY TABLE (+10mm)

COMPONENT	DIMENSION	COMPONENT	DIMENSION
TABLE HEIGHT	900	TABLE WIDTH	800
TABLE LENGTH	1800	LEG BRACE HEIGHT	300

NOTES:

WOOD GLUE SHALL BE APPLIED BEFORE INSERTING E-NUT INTO THE PLYWOOD
CORNERS OF TABLE TOP & SHELF MUST BE ROUNDED



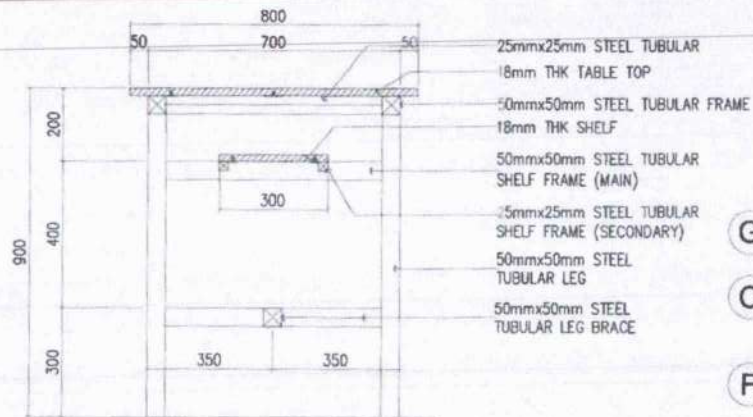
ISOMETRIC VIEW

SCIENCE LABORATORY TABLE

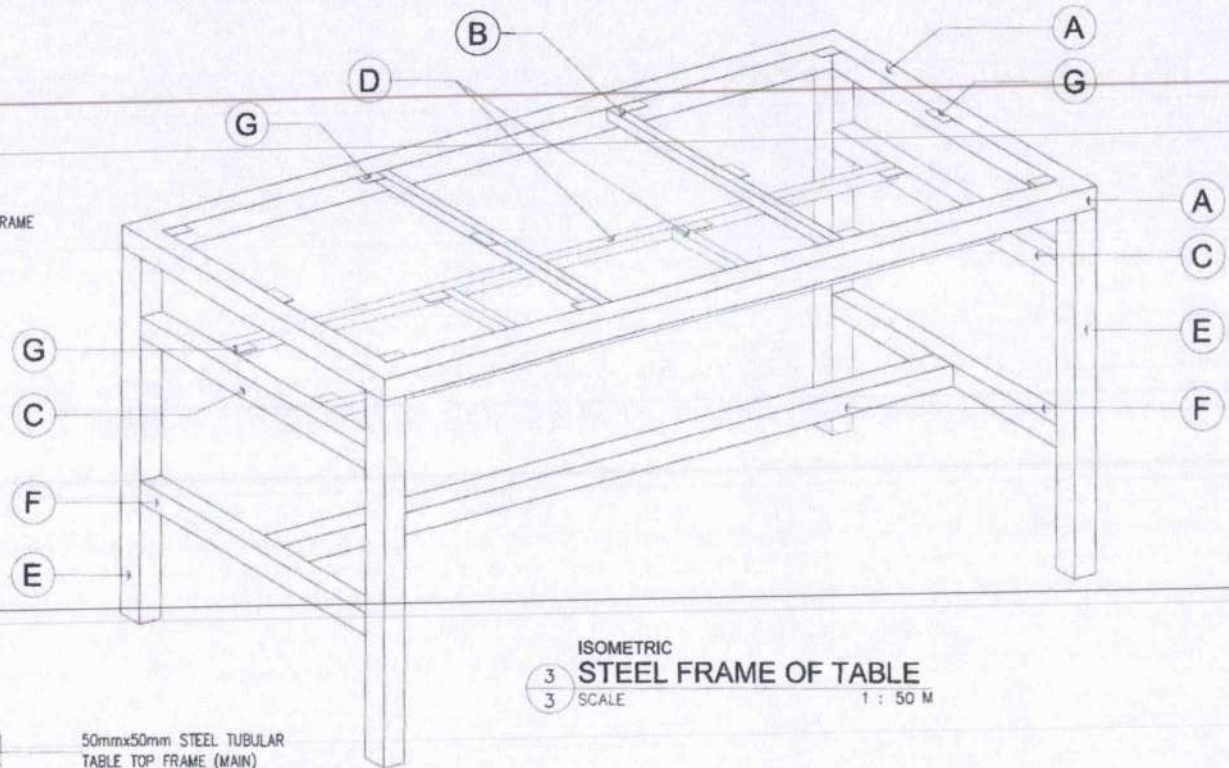
SCALE

- M

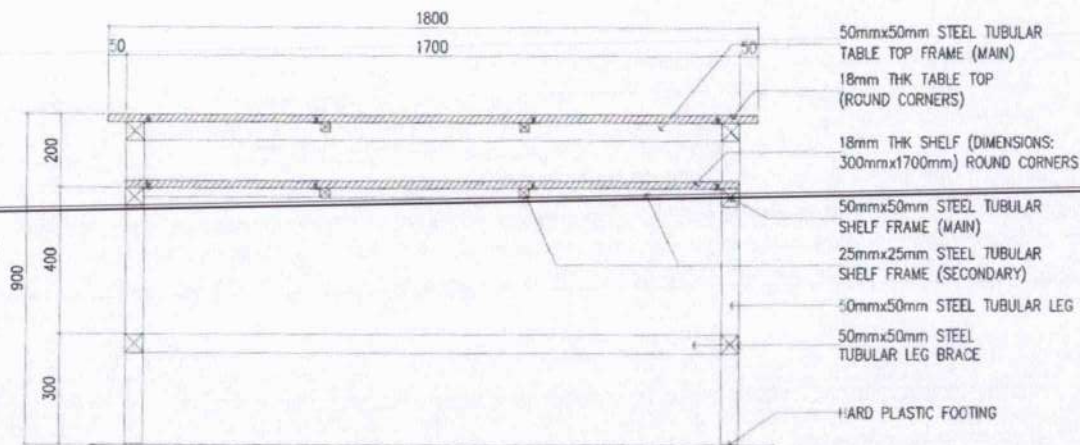
<p>REPUBLIC OF THE PHILIPPINES DEPARTMENT OF EDUCATION EDUCATION DIVISION - DIVISION OFFICE MORONG, CEBU CITY</p>	DRAWN BY : JET RAYMOND G. ALABASO ARCHITECT	RECOMMENDING APPROVAL : ENGR. ANNABELLE M. ANON CHIEF - EDUCATION FACILITIES DIVISION	APPROVED BY : ENGR. GINO V. GORING III Undersecretary for School Infrastructure and Facilities	CONCURRED BY : GINO V. GORING Undersecretary for Curriculum and Teaching	PROJECT TITLE : SCIENCE LABORATORY TABLE (WOOD & STEEL)	SHEET CONTENTS TECHNICAL SPECIFICATIONS SCHEDULE OF FINISHES DIMENSIONS ISOMETRIC VIEW	SHEET NO. 1 3
---	---	---	--	--	---	--	---------------------



1 CROSS SECTION
3 SCALE 1 : 50 M



3 ISOMETRIC
3 STEEL FRAME OF TABLE
3 SCALE 1 : 50 M



2 LONGITUDINAL SECTION
3 SCALE 1 : 50 M

TECHNICAL SPECIFICATIONS OF STEEL COMPONENTS		
MARK	COMPONENT	SPECIFICATIONS
A	TABLE TOP FRAME (MAIN)	1.0mm THK x 50mm x 50mm STEEL TUBULAR
B	TABLE TOP FRAME (SECONDARY)	1.0mm THK x 25mm x 25mm STEEL TUBULAR
C	SHELF FRAME (MAIN)	1.0mm THK x 50mm x 50mm STEEL TUBULAR
D	SHELF FRAME (SECONDARY)	1.0mm THK x 25mm x 25mm STEEL TUBULAR
E	LEG	1.0mm THK x 50mm x 50mm STEEL TUBULAR
F	LEG BRACE	1.0mm THK x 50mm x 50mm STEEL TUBULAR
G	FASTENER / CONECTOR	1.0mm THK x 25mm x 50mm STEEL FLAT BAR (FOR TABLE TOP- 12 PCS; FOR SHELF- 8 PCS)
FINISH		POWDER COATED, GLOSSY BLACK

TECHNICAL SPECIFICATIONS OF SCIENCE LABORATORY STOOL

COMPONENT	SPECIFICATIONS
SEAT	18mm THK SOLID WOOD BOARD, SMOOTH PAINT FINISH
LEG	22mm ϕ B.I. PIPE
LEG BRACE	22mm ϕ B.I. PIPE
SEAT SUPPORT	1.5mm THK x 25mm x 25mm STEEL ANGLE BAR
FOOT/LEG END CAP	HARD PLASTIC (BLACK)
FINISH	REFER TO SCHEDULE OF FINISHES
CONNECTION	WOOD TO STEEL: M6 E-NUT: 6mm ϕ THREAD x 12mm OVERALL LENGTH; SCREWS (REFER TO DETAILS FOR WOOD TO STEEL CONNECTION) STEEL TO STEEL: -FULL WELDING FOR BI PIPE TO BI PIPE CONNECTIONS -FULL WELDING FOR BI PIPE TO ANGLE BAR CONNECTIONS

SCHEDULE OF FINISHES

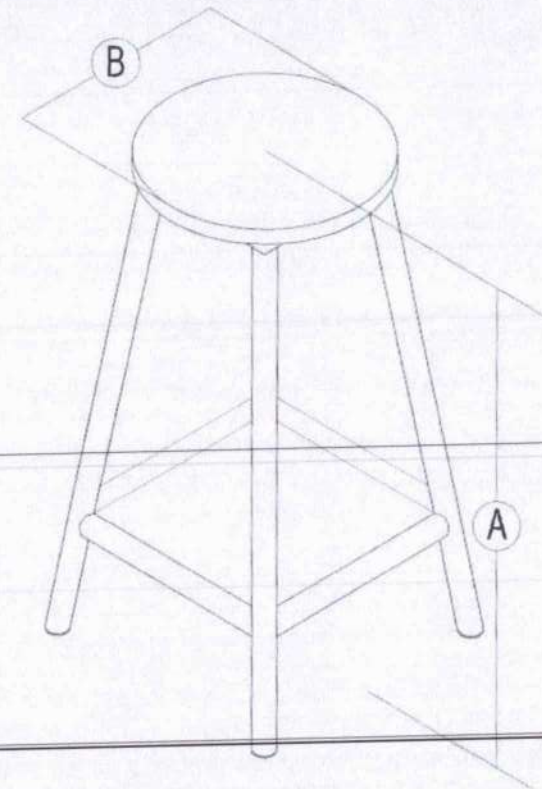
SEAT	PAINT FINISH (REFER TO PAINT APPLICATION)
METAL / STEEL	ALL SURFACE SHALL BE POWDER COATED (BLACK); GLOSSY FINISH

PAINTING APPLICATION / SCHEDULE

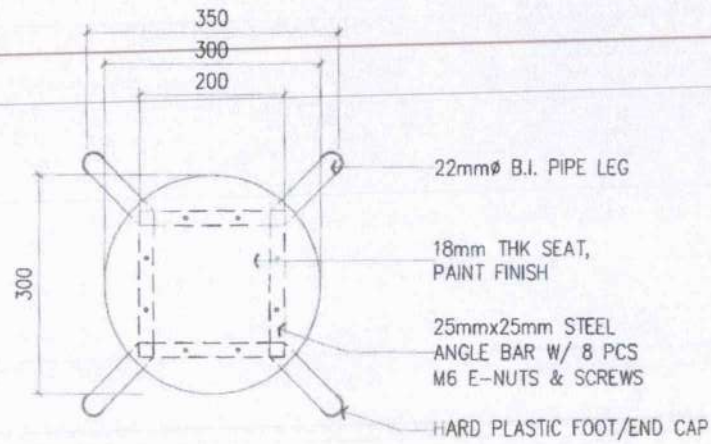
SANDING	ALL SURFACE TO BE COATED SHALL BE SMOOTHLY SANDED
1ST COAT	FLATWALL ENAMEL
2ND & 3RD COAT	WHITE QUICK-DRY ENAMEL, GLOSSY

DIMENSIONS OF SCIENCE LABORATORY STOOL (+10mm)

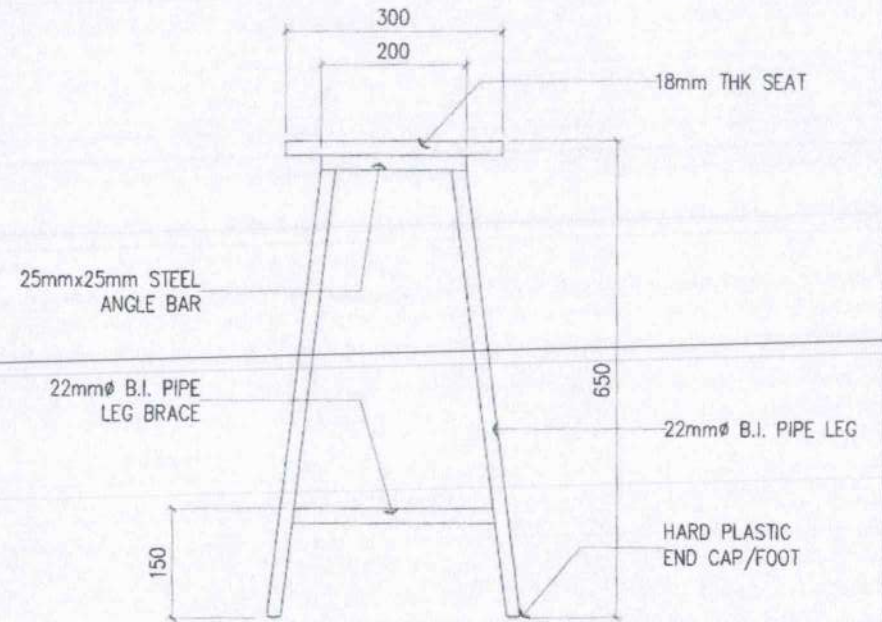
MARK	COMPONENT	DIMENSION
A	SEAT HEIGHT	650
B	SEAT WIDTH	300 ϕ



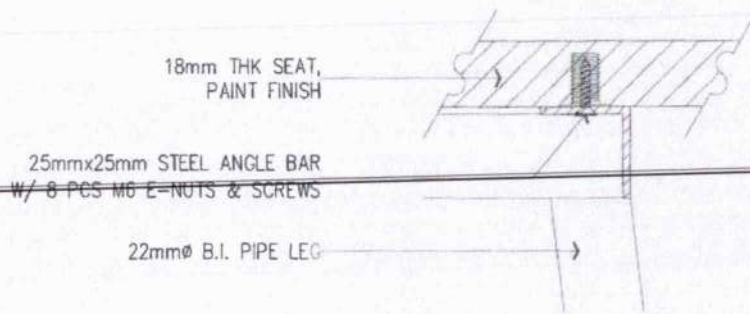
1 ISOMETRIC VIEW
1 SCALE - M



1 PLAN
2 SCALE 1 : 10 M



3 SIDE ELEVATION
2 SCALE 1 : 10 M



2 FRAME-SEAT CONNECTION DETAIL
2 SCALE - M

TECHNICAL SPECIFICATIONS OF WORKSHOP TABLE

MARK	COMPONENT	SPECIFICATIONS
A	TABLE TOP	18mm THK TOP BOARD (MARINE PLYWOOD, PAINT FINISH) W/ SOLID WOOD EDGING
B	SHELF	18mm THK TOP BOARD (MARINE PLYWOOD, PAINT FINISH) W/ 6mm THK SOLID WOOD EDGING
C	TABLE TOP EDGING	20mm THK x 75mm SOLID WOOD EDGING
D	LEG	1.0mm THK x 50mm x 50mm STEEL TUBULAR
E	LEG BRACE	1.0mm THK x 50mm x 50mm STEEL TUBULAR
F	SHELF FRAME (MAIN)	1.0mm THK x 50mm x 50mm STEEL TUBULAR
G	FOOT/LEG END CAP	HARD PLASTIC (BLACK)
	SHELF FRAME (SECONDARY)	1.0mm THK x 25mm x 25mm STEEL TUBULAR
	TABLE TOP FRAME (MAIN)	1.0mm THK x 50mm x 50mm STEEL TUBULAR
	TABLE TOP FRAME (SECONDARY)	1.0mm THK x 25mm x 25mm STEEL TUBULAR
	FASTENER	1mm THK x 50mm x 50mm STEEL ANGLE BAR (FOR TABLE TOP EDGING) -WOOD SCREW FOR TABLE TOP EDGING: 5 PCS @ LONGER SIDE & 3 PCS @ SHORTER SIDE W/ EQUAL SPACING 1mm THK x 25mm x 50mm STEEL FLAT BAR -FOR TABLE TOP: 12 PCS; FOR SHELF: 8 PCS
	FINISH	REFER TO SCHEDULE OF FINISHES
	CONNECTION	WOOD TO STEEL: M6 E-NUT: 6mmØ THREAD x 12mm OVERALL LENGTH; SCREWS (REFER TO DETAILS FOR WOOD TO STEEL CONNECTION) STEEL TO STEEL: -FULL WELDING FOR TUBULAR TO TUBULAR CONNECTIONS -ADEQUATE WELDING FOR TUBULAR TO ANGLE BAR/FLAT BAR CONNECTIONS

SCHEDULE OF FINISHES

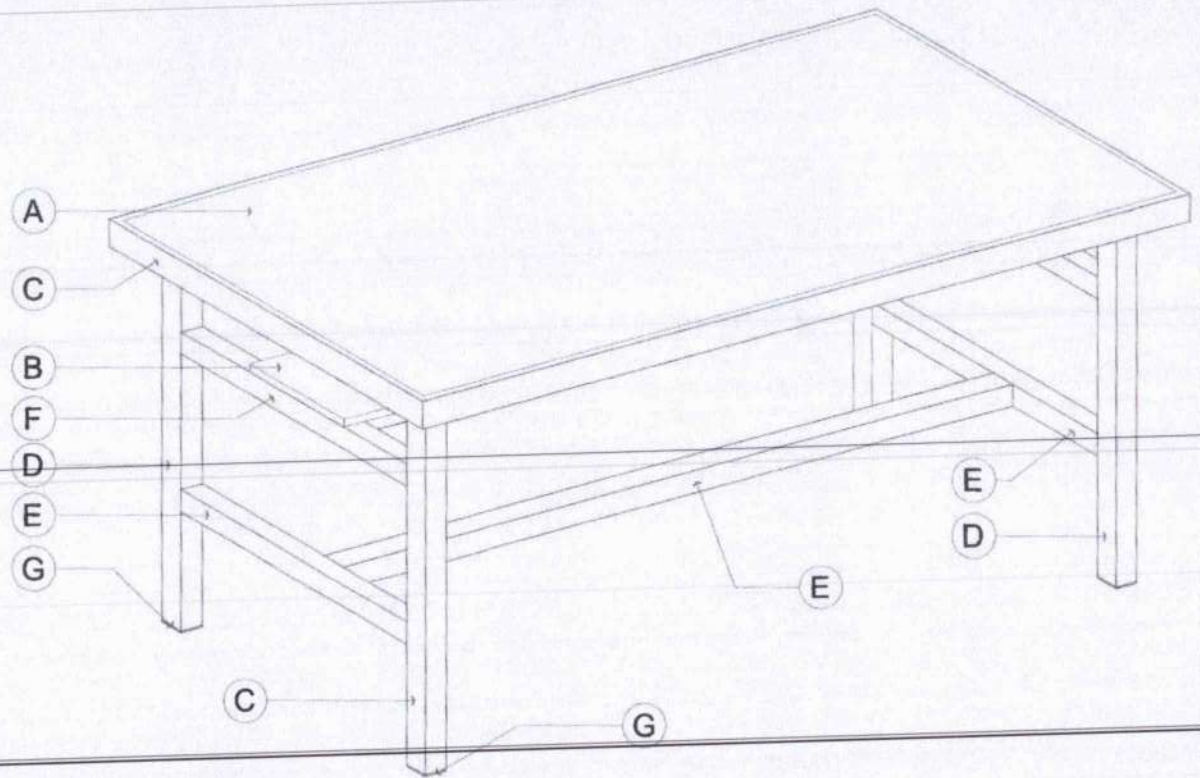
TABLE TOP & SHELF	SMOOTH PAINT FINISH (REFER TO PAINTING SCHEDULE)
EDGING	SMOOTH PAINT FINISH (REFER TO PAINTING SCHEDULE)
METAL / STEEL	ALL SURFACE SHALL BE POWDER COATED (BLACK); GLOSSY FINISH

PAINTING SCHEDULE

SANDING	ALL SURFACE TO BE COATED SHALL BE SMOOTHLY SANDED
1ST COAT	PANTONE 729C OR COLOR HEX #ba7c45 / RGB 186, 124, 69 / CMYK 0%, 33%, 63%, 27% WITH WOOD GRAIN (SERANO BEECH OR EQUIVALENT)
INTERMEDIATE COAT	LACQUER SANDING SEALER
TOP COAT	CLEAR GLOSS LACQUER (2 COATS)

DIMENSIONS OF WORKSHOP TABLE (+10mm)

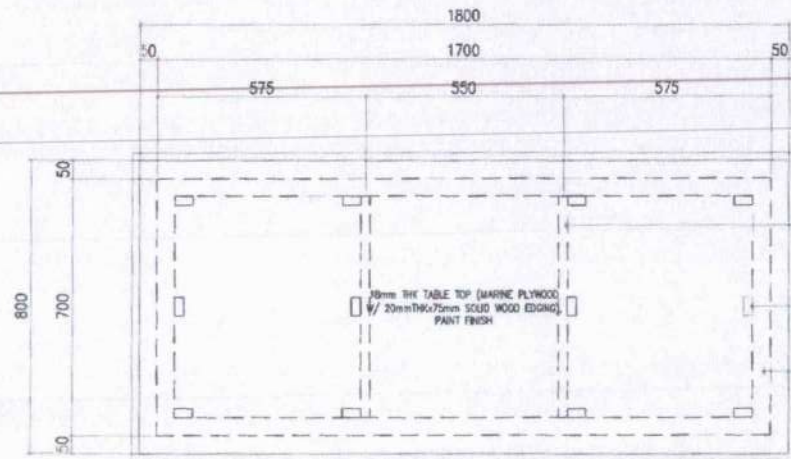
COMPONENT	DIMENSION	COMPONENT	DIMENSION
TABLE HEIGHT	900	TABLE WIDTH	800
TABLE LENGTH	1800	LEG BRACE HEIGHT	300



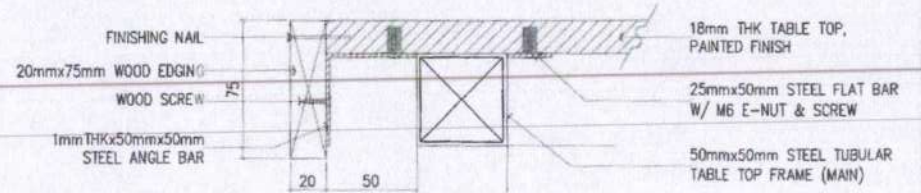
1 ISOMETRIC VIEW - WORKSHOP TABLE
1 SCALE

NOTES:
WOOD GLUE SHALL BE APPLIED BEFORE INSERTING E-NUT INTO THE PLYWOOD CORNERS OF WOOD EDGING MUST BE BEVELED

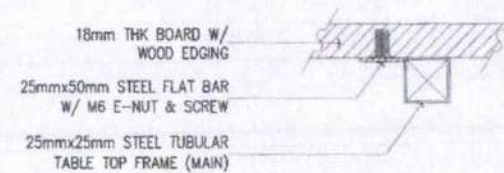
<p>REPUBLIC OF THE PHILIPPINES DepEd DEPARTMENT OF EDUCATION EDUCATION FACILITIES DIVISION SCHOOL FACILITIES ENGINEERS</p>	<p>DESIGNED BY:</p> <p>ARCHITECT</p>	<p>RECOMMENDING APPROVAL:</p> <p>ENGR. MARIBEL S. P. ... CHIEF - EDUCATION FACILITIES DIVISION</p>	<p>APPROVED BY:</p> <p>ENGR. ... Undersecretary for School Infrastructure and Facilities</p>	<p>CONCURRED BY:</p> <p>GINA O. GONZONG Undersecretary for Curriculum and Teaching</p>	<p>PROJECT TITLE:</p> <p>WORKSHOP TABLE (WOOD & STEEL)</p>	<p>SHEET CONTENTS</p> <p>TECHNICAL SPECIFICATIONS SCHEDULE OF FINISHES DIMENSIONS ISOMETRIC VIEW</p>	<p>SHEET NO:</p> <p>1 3</p>
---	--------------------------------------	--	--	--	---	--	---------------------------------



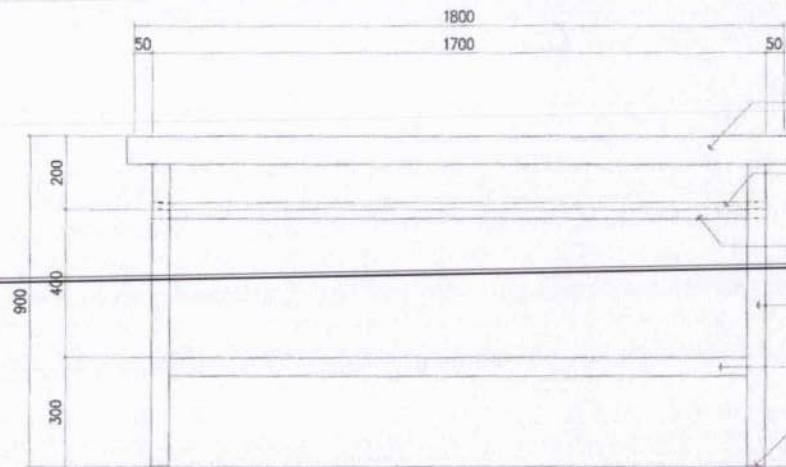
1 PLAN
2 SCALE 1 : 50 M



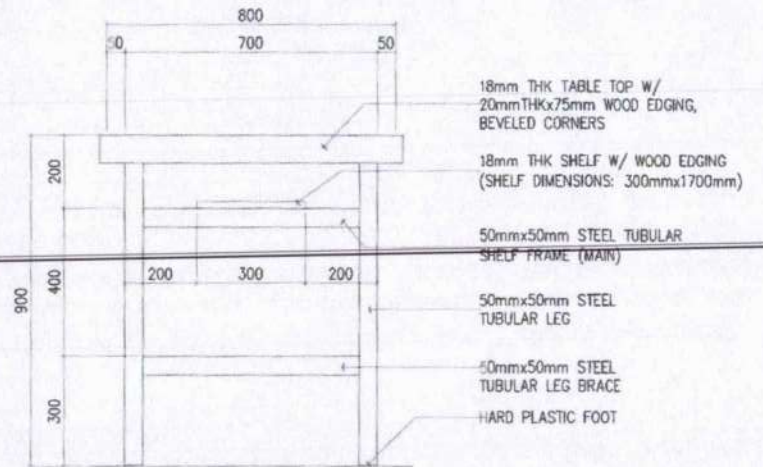
3 TABLE TOP EDGING CONNECTION DETAILS
2 SCALE 1 : 50 M



4 WOOD TO STEEL CONNECTION DETAILS
2 SCALE 1 : 50 M



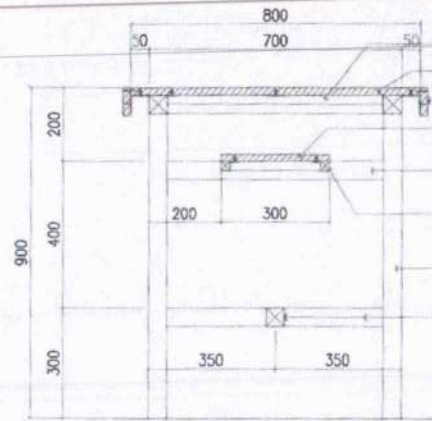
2 FRONT/REAR ELEVATION
2 SCALE 1 : 50 M



5 SIDE ELEVATION (TYPICAL)
2 SCALE 1 : 50 M

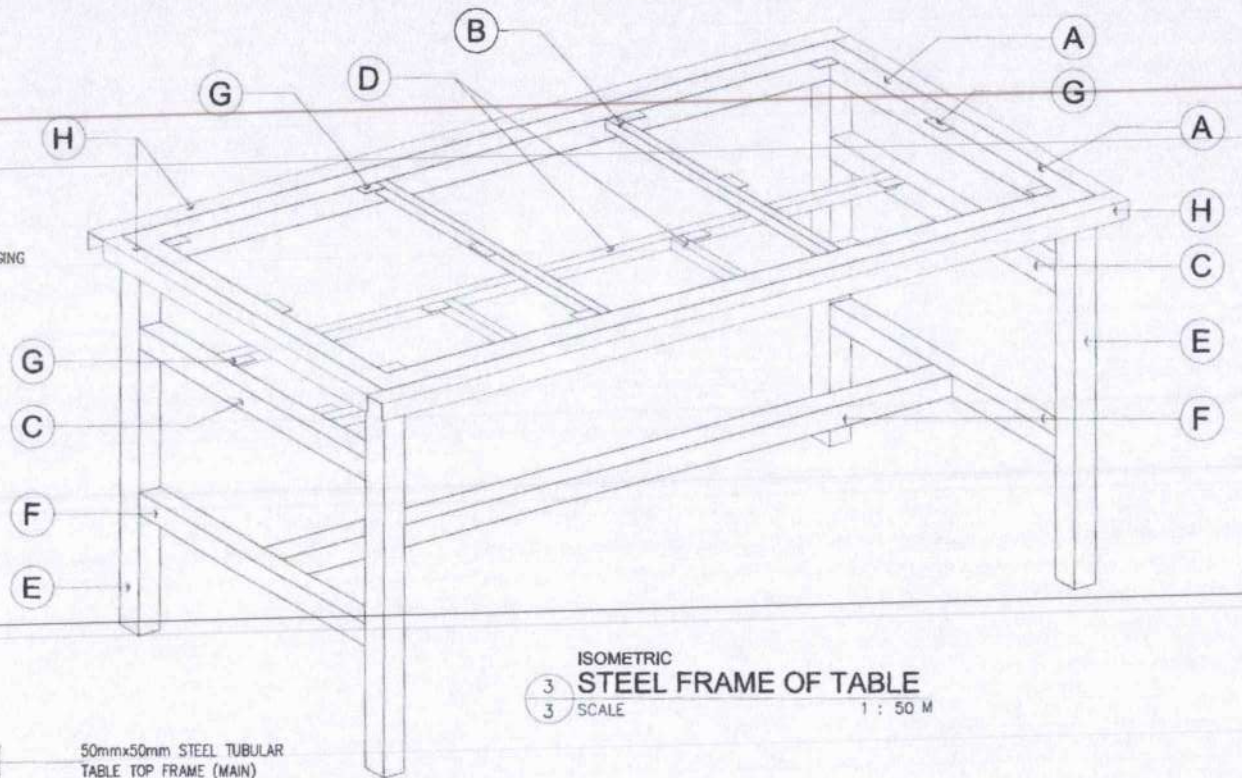
NOTES:
WOOD GLUE SHALL BE APPLIED BEFORE INSERTING E-NUT INTO THE PLYWOOD
CORNERS OF WOOD EDGING MUST BE BEVELED

	DRAWN BY: JET BACHINAGA, ARCHITECT	RECOMMENDING APPROVAL: ENGR. MARIBEL TORILAN CHIEF, EDUCATION FACILITIES DIVISION	APPROVED BY: J. O. GONZAGA Undersecretary for School Infrastructure and Facilities	CONCURRED BY: J. O. GONZAGA Undersecretary for Curriculum and Learning	PROJECT TITLE: WORKSHOP TABLE (WOOD & STEEL)	SHEET CONTENTS: PLAN ELEVATIONS CONNECTION DETAIL	SHEET NO: 2 3

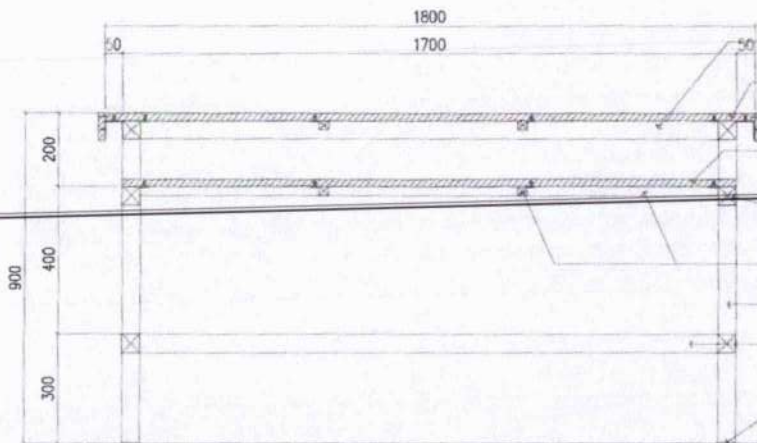


1 CROSS SECTION
3 SCALE 1 : 50 M

- 25mmx25mm STEEL TUBULAR
- 18mm THK TABLE TOP
- 20mmTHKx75mm WOOD EDGING
- 18mm THK SHELF W/ WOOD EDGING
- 50mmx50mm STEEL TUBULAR SHELF FRAME (MAIN)
- 25mmx25mm STEEL TUBULAR SHELF FRAME (SECONDARY)
- 50mmx50mm STEEL TUBULAR LEG
- 50mmx50mm STEEL TUBULAR LEG BRACE



ISOMETRIC
3 STEEL FRAME OF TABLE
3 SCALE 1 : 50 M



2 LONGITUDINAL SECTION
3 SCALE 1 : 50 M

- 50mmx50mm STEEL TUBULAR TABLE TOP FRAME (MAIN)
- 18mm THK TABLE TOP
- 20mmTHKx75mm WOOD EDGING
- 18mm THK SHELF (DIMENSIONS: 300mmx1700mm) ROUND CORNERS
- 50mmx50mm STEEL TUBULAR SHELF FRAME (MAIN)
- 25mmx25mm STEEL TUBULAR SHELF FRAME (SECONDARY)
- 50mmx50mm STEEL TUBULAR LEG
- 50mmx50mm STEEL TUBULAR LEG BRACE
- HARD PLASTIC FOOT

TECHNICAL SPECIFICATIONS OF STEEL COMPONENTS		
MARK	COMPONENT	SPECIFICATIONS
A	TABLE TOP FRAME (MAIN)	1.0mm THK x 50mm x 50mm STEEL TUBULAR
B	TABLE TOP FRAME (SECONDARY)	1.0mm THK x 25mm x 25mm STEEL TUBULAR
C	SHELF FRAME (MAIN)	1.0mm THK x 50mm x 50mm STEEL TUBULAR
D	SHELF FRAME (SECONDARY)	1.0mm THK x 25mm x 25mm STEEL TUBULAR
E	LEG	1.0mm THK x 50mm x 50mm STEEL TUBULAR
F	LEG BRACE	1.0mm THK x 50mm x 50mm STEEL TUBULAR
G	FASTENER / CONECTOR	1.0mm THK x 25mm x 50mm STEEL FLAT BAR (FOR TABLE TOP- 12 PCS; FOR SHELF- 8 PCS)
H	TABLE TOP EDGING SUPPORT	1mm THK x 50mm x 50mm STEEL ANGLE BAR
FINISH		POWDER COATED, GLOSSY BLACK

TECHNICAL SPECIFICATIONS OF WORKSHOP STOOL

COMPONENT	SPECIFICATIONS
SEAT	18mm THK SOLID WOOD BOARD, SMOOTH PAINT FINISH
LEG	22mm ϕ B.I. PIPE
LEG BRACE	22mm ϕ B.I. PIPE
SEAT SUPPORT	1.5mm THK x 25mm x 25mm STEEL ANGLE BAR
FOOT/LEG END CAP	HARD PLASTIC (BLACK)
FINISH	REFER TO SCHEDULE OF FINISHES
CONNECTION	WOOD TO STEEL: M6 E-NUT: 6mm ϕ THREAD x 12mm OVERALL LENGTH; SCREWS (REFER TO DETAILS FOR WOOD TO STEEL CONNECTION) STEEL TO STEEL: -FULL WELDING FOR BI PIPE TO BI PIPE CONNECTIONS -FULL WELDING FOR BI PIPE TO ANGLE BAR CONNECTIONS

SCHEDULE OF FINISHES

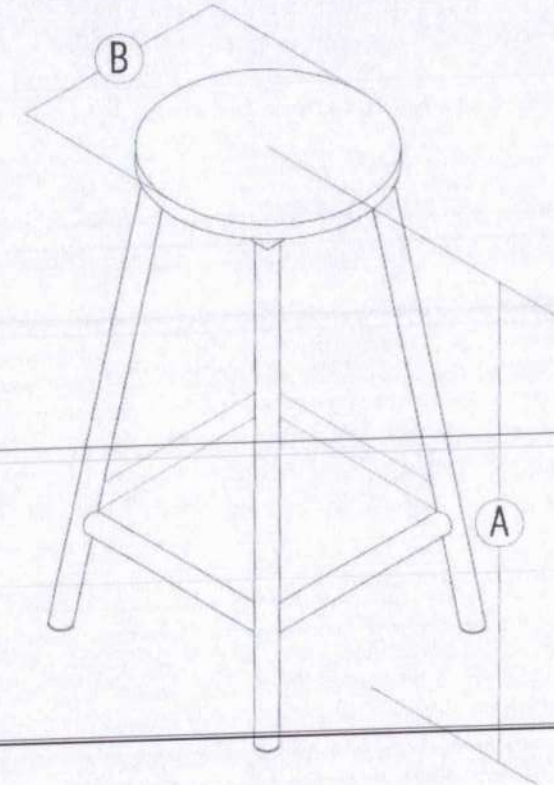
SEAT	SMOOTH PAINT FINISH (REFER TO PAINT SCHEDULE)
METAL / STEEL	ALL SURFACE SHALL BE POWDER COATED (BLACK); GLOSSY FINISH

PAINTING APPLICATION / SCHEDULE

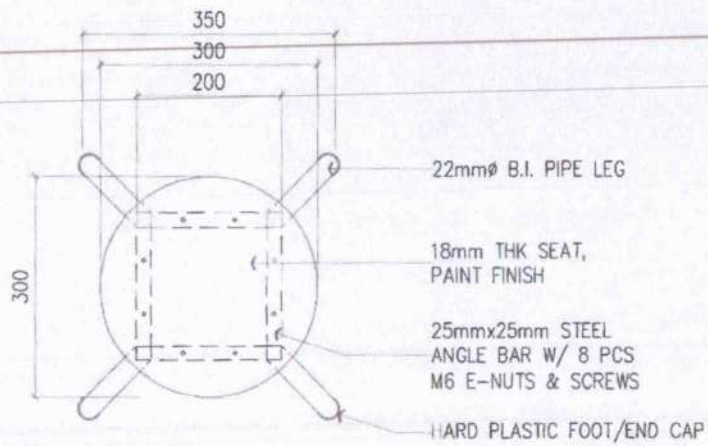
SANDING	ALL SURFACE TO BE COATED SHALL BE SMOOTHLY SANDED
1ST COAT	PANTONE 729C OR COLOR HEX #ba7c45 / RGB 186, 124, 69 / CMYK 0%, 33%, 63%, 27% WITH WOOD GRAIN (SERANO BEECH OR EQUIVALENT)
INTERMEDIATE COAT	LACQUER SANDING SEALER
TOP COAT	CLEAR GLOSS LACQUER (2 COATS)

DIMENSIONS OF WORKSHOP STOOL (+10mm)

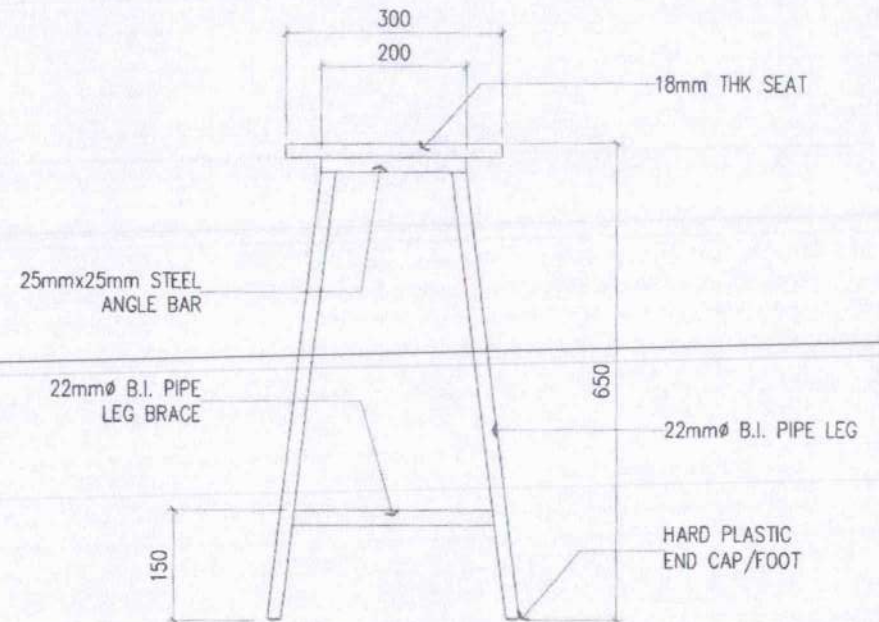
MARK	COMPONENT	DIMENSION
A	SEAT HEIGHT	650
B	SEAT WIDTH	300 ϕ



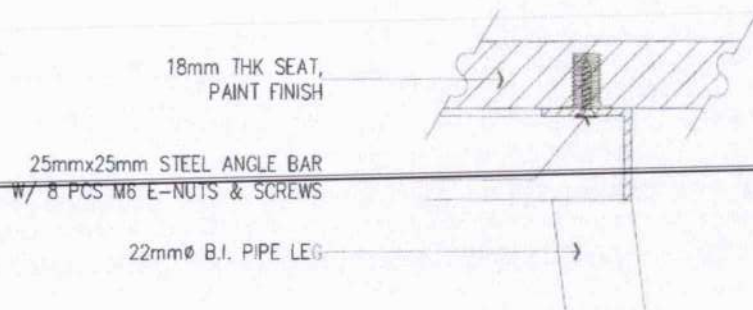
1 ISOMETRIC VIEW
1 SCALE - M



1 PLAN
2 SCALE 1 : 10 M

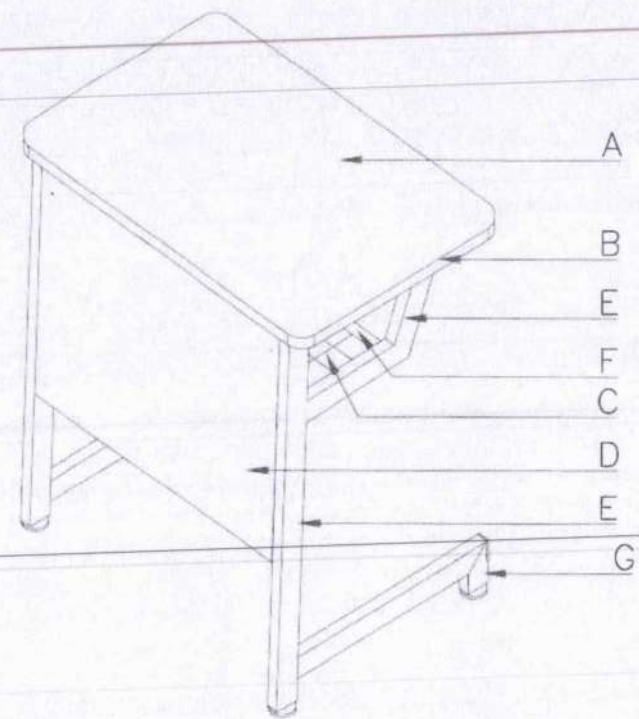


3 SIDE ELEVATION
2 SCALE 1 : 10 M



FRAME-SEAT
2 CONNECTION DETAIL
2 SCALE -- M

1 TECHNICAL SPECIFICATIONS OF LEARNER'S TABLE		
MARK	COMPONENTS	SPECIFICATIONS
A	TABLE TOP	18MM THK TOP BOARD ROUND CORNER'S (1 SIDE 1.0MM THK HIGH PRESSURE LAMINATE/1 SIDE VARNISH FINISHES ON MARINE PLYWOOD)
B	EDGING	1.0 MM THK PVC EDGING, ALL EDGES OF TABLE TOP
C	SHELF	METAL WIRE MESH 4MMTHX50X50
D	FRONT COVER	6MM THK FRONT COVER (1 SIDE 1.0MM THK HIGH PRESSURE LAMINATE / 1 SIDE VARNISH FINISHES ON MARINE PLYWOOD)
E	MAIN FRAME	1.0MMTHX20MMX40MM STEEL TUBULAR
F	SECONDARY FRAME	1.0MMTHX20MMX20MM STEEL TUBULAR
G	ADJUSTABLE LEVELER	8MMØ THREAD WITH 38MMØ PLASTIC BASE
	CONNECTOR/FLAT BAR	1MMTHX25MMX50MM STEEL FLAT BAR (TABLE TOP: 4PCS; SCREW)
	CONNECTION	WOOD TO STEEL: SCREW: E-TYPE HEX M6X13mm: (TABLE TOP) RIVETS: BLIND RIVET (FRONT COVER)
		STEEL TO STEEL: FULL WELDING CONNECTION



1 ISOMETRIC VIEW OF LEARNER'S TABLE
1 SCALE -M

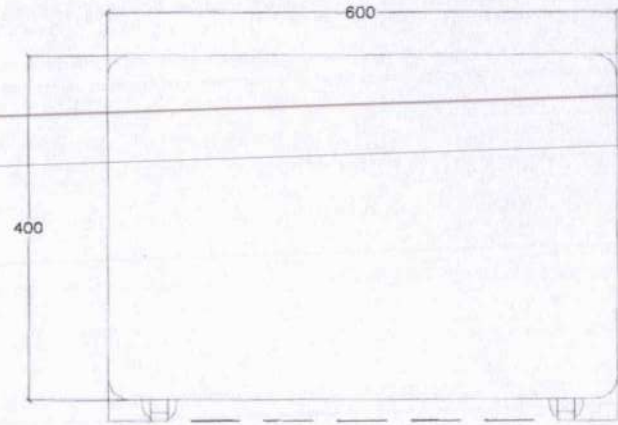
2a SCHEDULE OF FINISHES	
TOP BOARD	1.0MM THK HIGH PRESSURE LAMINATE
EDGING	1.0 MM THK PVC EDGING, ALL EDGES OF TABLE TOP

FRONT COVER	1.0MM THK HIGH PRESSURE LAMINATE
METAL/STEEL TUBULAR	POWDER COATED (BLACK): SMOOTH, GLOSSY FINISH
LAMINATE COLOR	PANTONE 729C OR COLOR HEX #b07c45 / RGB 186, 124, 69 / CMYK 0%, 33%, 63%, 27% WITH WOOD GRAIN (SERANO BEECH OR EQUIVALENT)

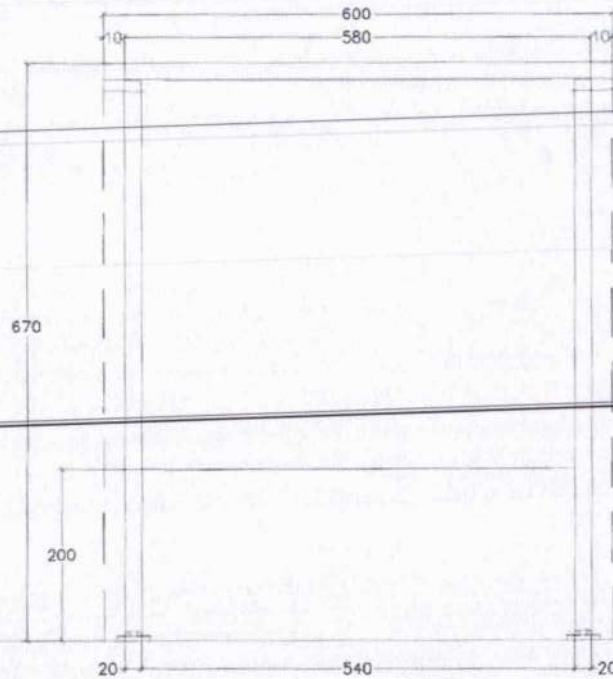
3 DIMENSIONS OF LEARNER'S TABLE(mm) (TOLERANCE ± 10mm)			
MARK	COMPONENTS	DIMENSIONS	
		ELEMENTARY	SECONDARY
a	TABLE HEIGHT	670	730
b	TABLE LENGTH	600	600
c	TABLE WIDTH	400	400

 REPUBLIC OF THE PHILIPPINES DepED DEPARTMENT OF EDUCATION EDUCATION FULFILLMENT DIVISION MERRILL AVENUE, PASIG CITY	DRAWN BY: RAYMOND G. ALARCON ARCHITECT	RECOMMENDING APPROVAL: ENGR. ANNABELLE MANZAN CHIEF - PLANNING FACILITIES DIVISION	APPROVED BY: EPIMAC V. DELA CRUZ Undersecretary for School Infrastructure and Facilities	CONCURRED BY: GMA O. G. JHING Undersecretary for Curriculum and Teaching	PROJECT TITLE: LEARNER'S TABLE (WOOD & STEEL)	SHEET CONTENTS: TECHNICAL SPECIFICATION SCHEDULE OF FINISHES EDGING APPLICATION DIMENSIONS ISOMETRIC VIEW	SHEET NO.: <div style="border: 1px solid black; border-radius: 50%; width: 30px; height: 30px; display: flex; align-items: center; justify-content: center;"> 1 3 </div>
--	--	--	--	--	--	--	--

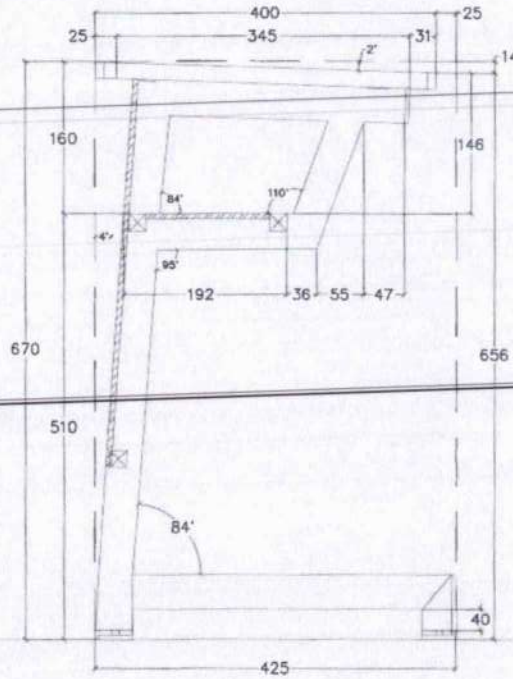
DEPED ELEMENTARY SINGLE LEARNER'S TABLE



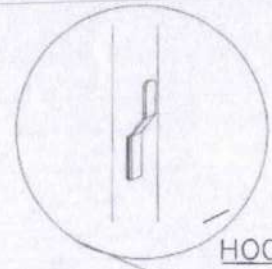
TOP VIEW



FRONT VIEW



SIDE SECTION VIEW



HOOK

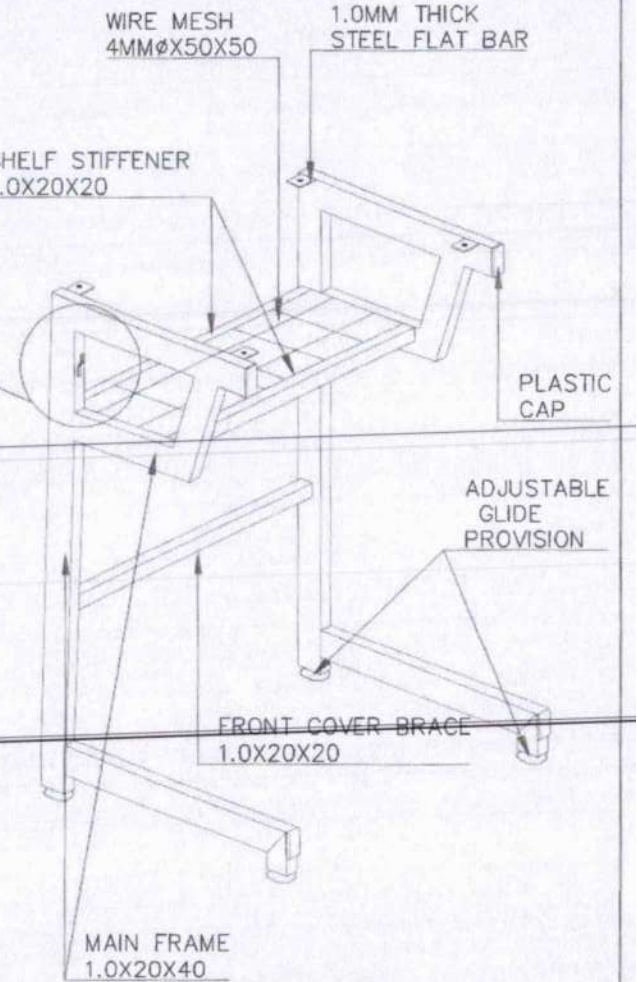
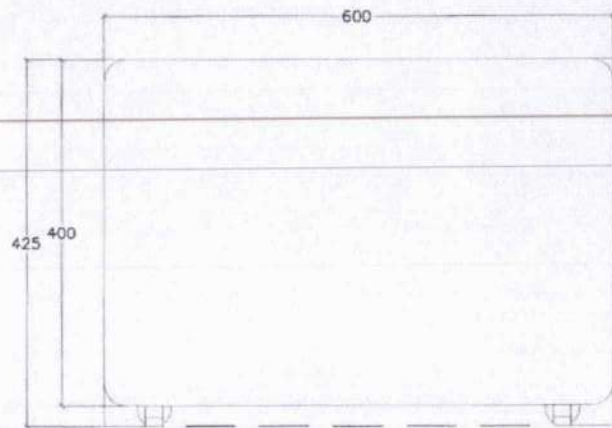


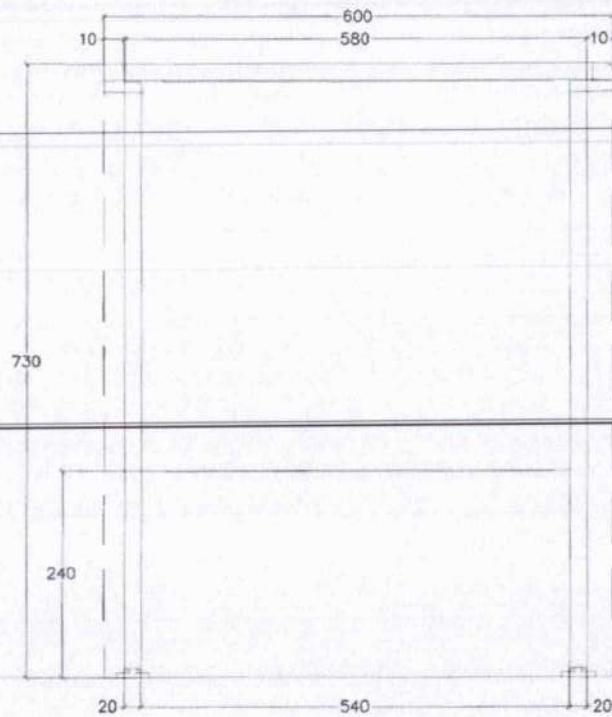
TABLE FRAMING PERSPECTIVE VIEW

<p>REPUBLIC OF THE PHILIPPINES DepED DEPARTMENT OF EDUCATION EDUCATION FACILITIES DIVISION MORALCO AVENUE, PASIG CITY</p>	DESIGN BY: RAYMOND G. ALARCON ARCHITECT	RECOMMENDING APPROVAL: ENGR. MARIBEL S. PANGAN CHIEF, EDUCATION FACILITIES DIVISION	APPROVED BY: TERMINO V. DOMINGO III Undersecretary for School Infrastructure and Facilities	CONCURRED BY: ENGR. GERSONG Undersecretary for Curriculum Development	PROJECT TITLE: LEARNER'S TABLE (WOOD & STEEL)	SHEET CONTENTS TOP VIEW FRONT VIEW SIDE SECTION VIEW FRAMING PERSPECTIVE VIEW	SHEET NO: 2 3

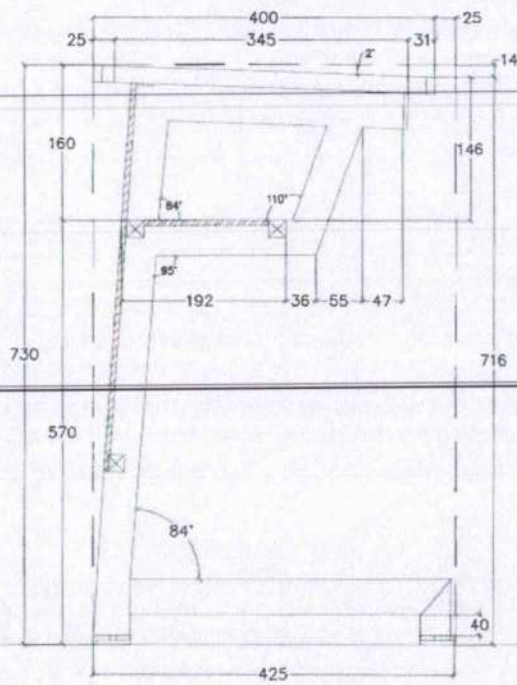
DEPED SECONDARY SINGLE LEARNER'S TABLE



TOP VIEW



FRONT VIEW



SIDE SECTION VIEW

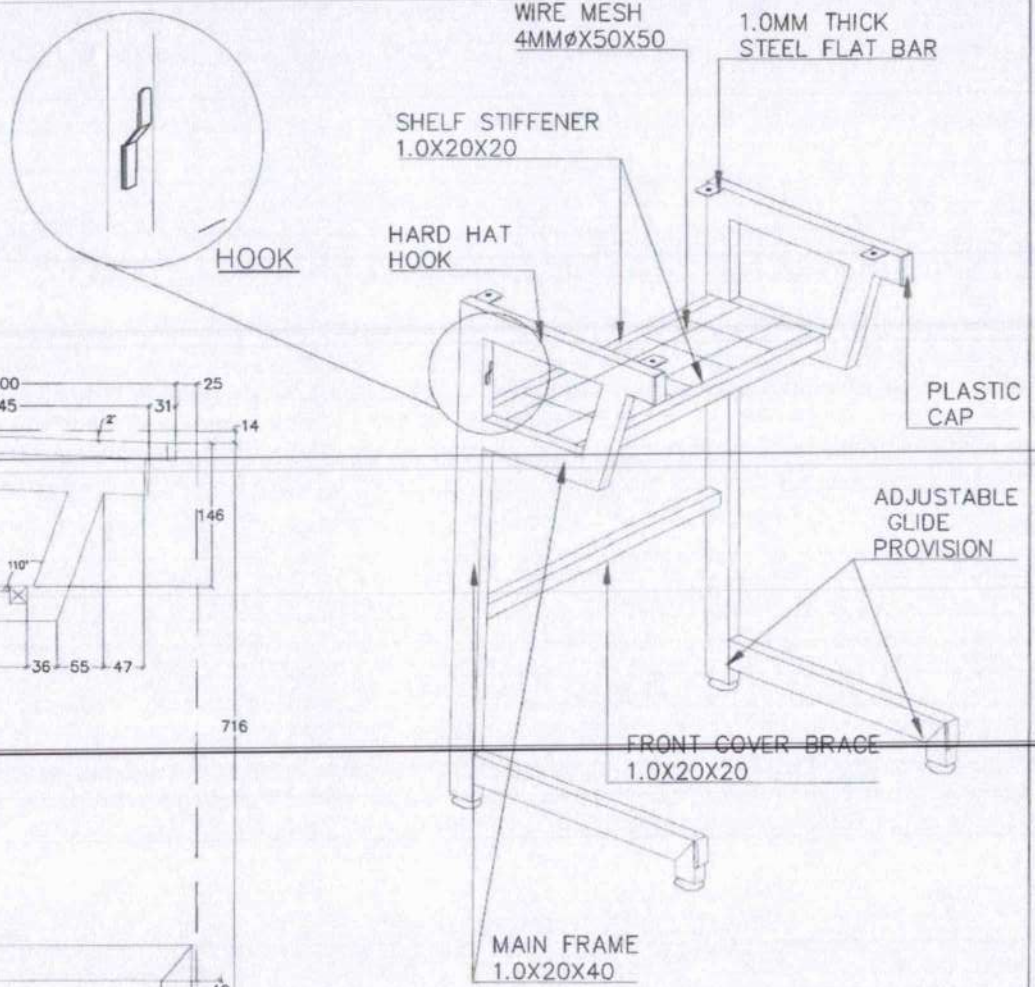



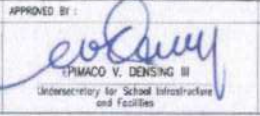
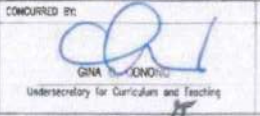
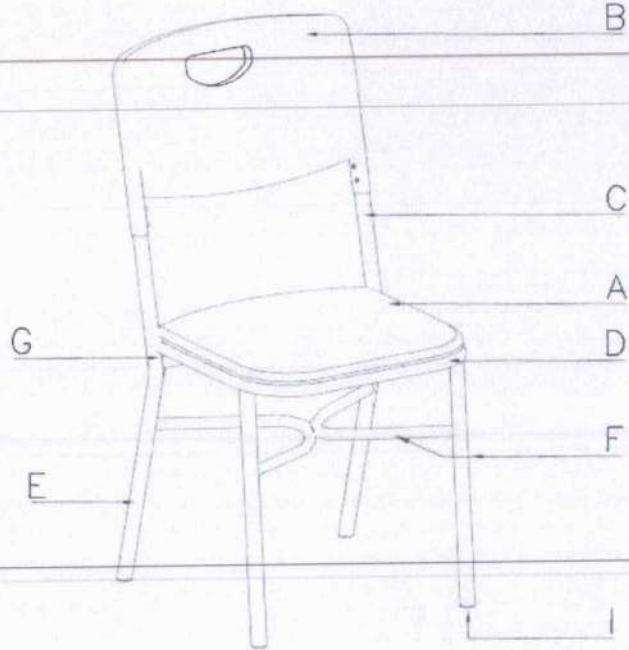


TABLE FRAMING PERSPECTIVE VIEW

<p>REPUBLIC OF THE PHILIPPINES</p>  <p>DEPARTMENT OF EDUCATION EDUCATION FACILITIES DIVISION HERNANDO AVENA, PASIG CITY</p>	<p>DESIGNED BY:</p>  <p>DR. ANTHONY G. KLABANG ARCHITECT</p>	<p>RECOMMENDING APPROVAL:</p>  <p>ENGR. ANNA L. RIVERA CHIEF, EDUCATION FACILITIES DIVISION</p>	<p>APPROVED BY:</p>  <p>TIMACO V. DENISING III Undersecretary for School Infrastructure and Facilities</p>	<p>CONCURRED BY:</p>  <p>GINA M. MONTE Undersecretary for Curriculum and Teaching</p>	<p>PROJECT TITLE:</p> <p>LEARNER'S TABLE (WOOD & STEEL)</p>	<p>SHEET CONTENTS</p> <p>TOP VIEW FRONT VIEW SIDE SECTION VIEW FRAMING PERSPECTIVE VIEW</p>	<p>SHEET NO:</p> <p>3</p>
--	---	---	---	--	--	---	---------------------------



1 ISOMETRIC VIEW OF LEARNER'S CHAIR
1 SCALE -M

DIMENSIONS OF LEARNER'S CHAIR (mm)
(TOLERANCE ± 10mm)

COMPONENTS	DIMENSIONS	
	ELEMENTARY	SECONDARY
SEAT HEIGHT	390	430
SEAT DEPTH	380	380
SEAT WIDTH	370	370
BACK REST HEIGHT	700	800
BACK REST WIDTH	410	410

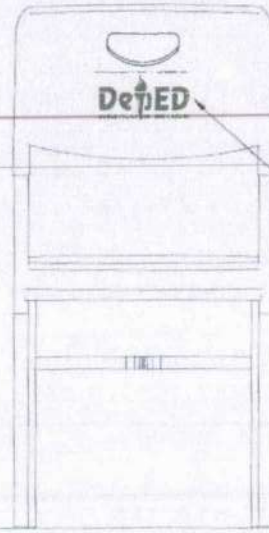
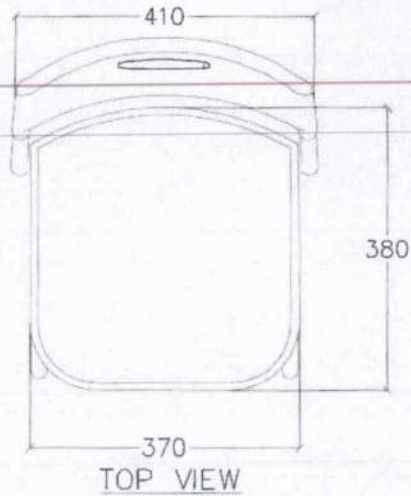
1 TECHNICAL SPECIFICATIONS OF LEARNER'S CHAIR		
MARK	COMPONENTS	SPECIFICATIONS
A	SEAT	BLOW MOLDED PLASTIC HIGH-DENSITY POLYETHYLENE (HDPE)
B	BACKREST	BLOW MOLDED PLASTIC HIGH-DENSITY POLYETHYLENE (HDPE)
C	BACK SUPPORT	BI PIPE TUBE 1.0MMX22MMØ
D	SEAT SUPPORT	BI PIPE TUBE 1.0MMX19MMØ
E	BACK LEG	BI PIPE TUBE 1.0MMX22MMØ
F	FRONT LEG/BRACE	BI PIPE TUBE 1.0MMX22MMØ
G	LOWER SEAT SUPPORT	BI PIPE TUBE 1.0MMX19MMØ
I	COVER CAP	PLASTIC GLIDE
	HDPE TO STEEL:	BACK HDPE TO STEEL - SELF TAPPING SCREW/RIVET
		SEAT HDPE TO STEEL - 1MM THK 25MMX30MM FLAT BAR, M6X12

SCHEDULE OF FINISHES

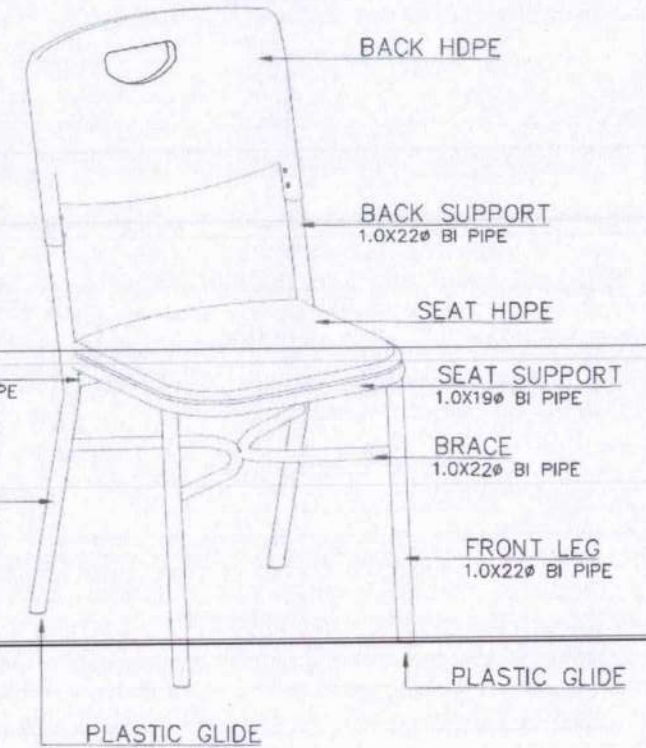
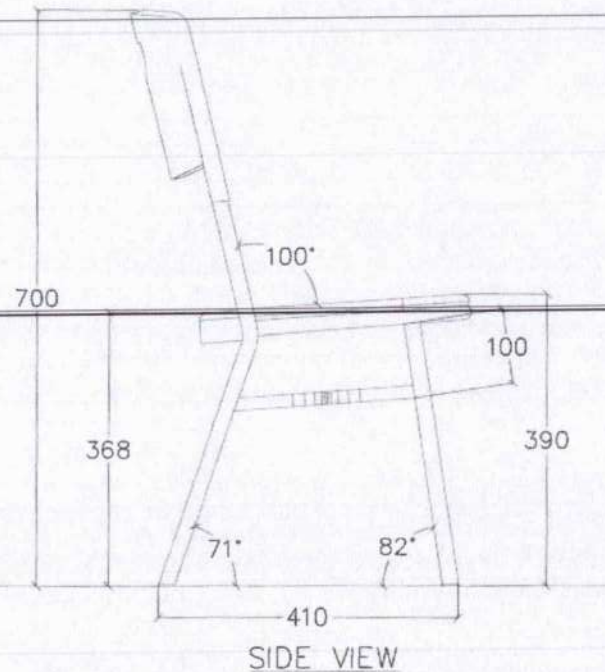
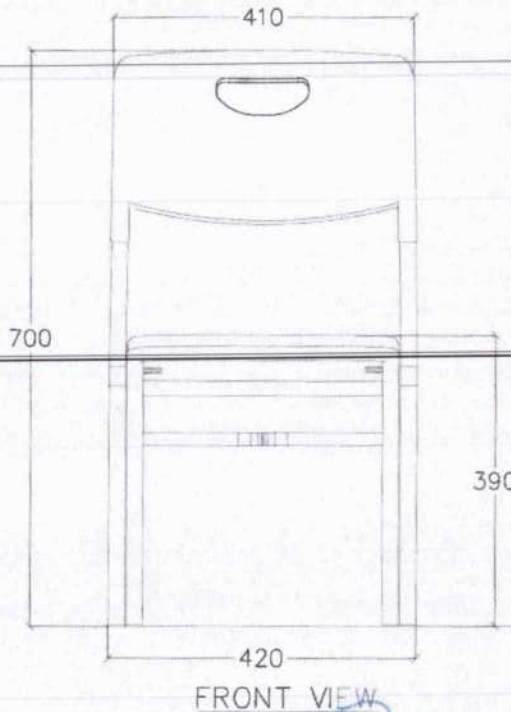
SEAT PANEL BACKREST	HIGH-DENSITY POLYETHYLENE (HDPE) PLASTIC (BLOW MOLDED)
METAL/STEEL TUBULAR	POWDER COATED (BLACK); SMOOTH, GLOSSY FINISH
HDPE COLOR	REFER TO COLOR CODE PANTONE 4665C OR COLOR HEX: #cda788 / RGB: 205, 167, 136 / CMYK: 0%, 19%, 34%, 20%

<p>REPUBLIC OF THE PHILIPPINES DepEd DEPARTMENT OF EDUCATION EDUCATION FACILITIES DIVISION NEW ALABANG CENTER, PASIG CITY</p>	<p>DRAWN BY:</p> JET RAMON C. ALABASO AEC-RECT	<p>RECOMMENDING APPROVAL:</p> ENDR. ANABEL R. BAYAN CHIEF - EDUCATION FACILITIES DIVISION	<p>APPROVED BY:</p> EMMACO V. LENSING III Undersecretary for School Infrastructure and Facilities	<p>CONCURRED BY:</p> ENDR. EDUARDO B. BAYAN Undersecretary for Curriculum and Teaching	<p>PROJECT TITLE:</p> <p>LEARNER'S CHAIR (HDPE & STEEL)</p>	<p>SHEET CONTENTS</p> <p>TECHNICAL SPECIFICATION SCHEDULE OF FINISHES EDGING APPLICATION DIMENSIONS ISOMETRIC VIEW</p>	<p>SHEET NO:</p> <p>1 5</p>
--	--	---	---	--	---	--	---------------------------------

DEPED ELEMENTARY LEARNER'S CHAIR



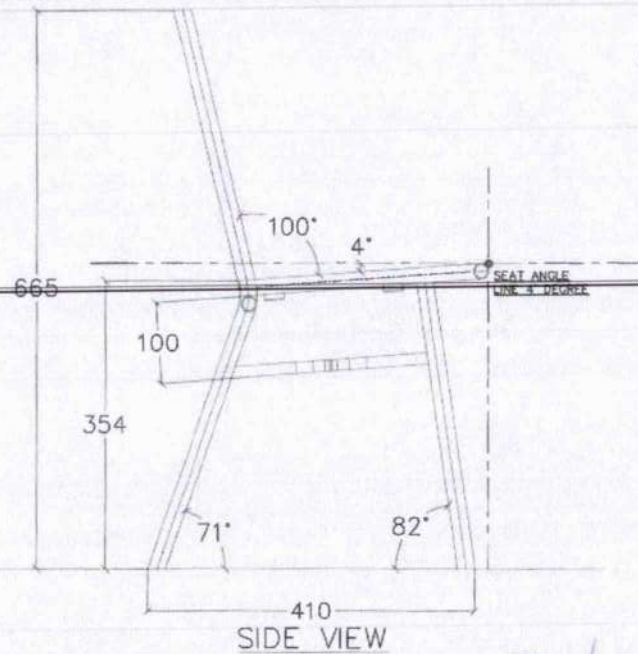
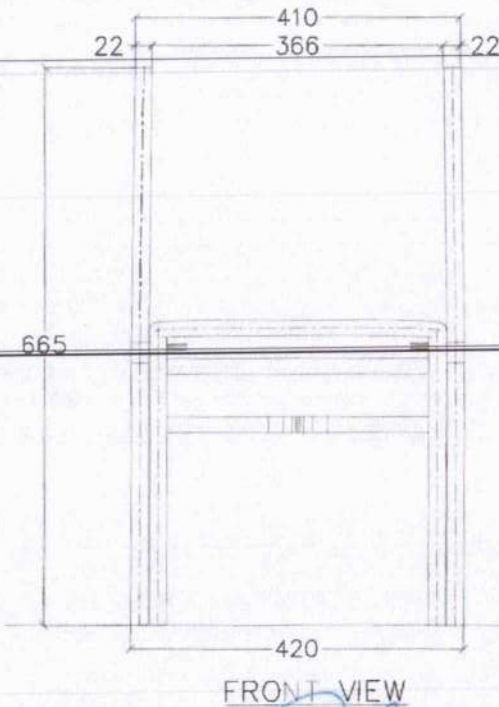
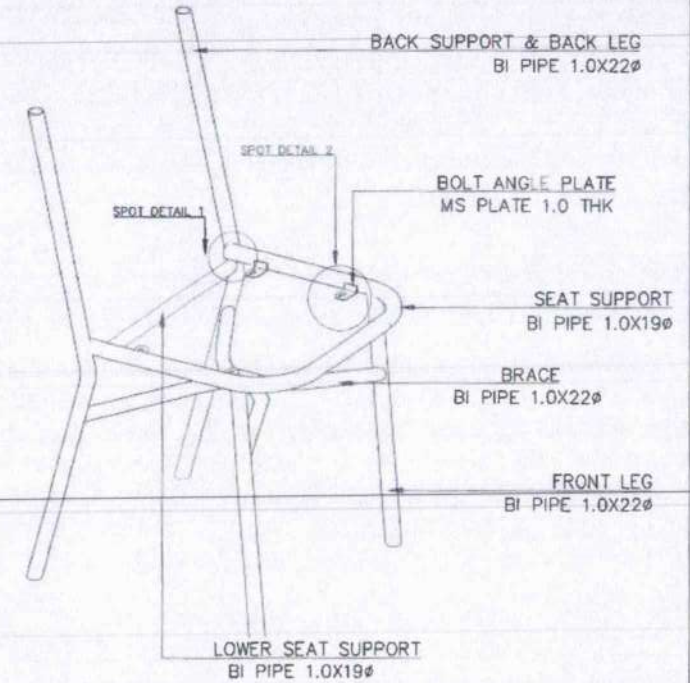
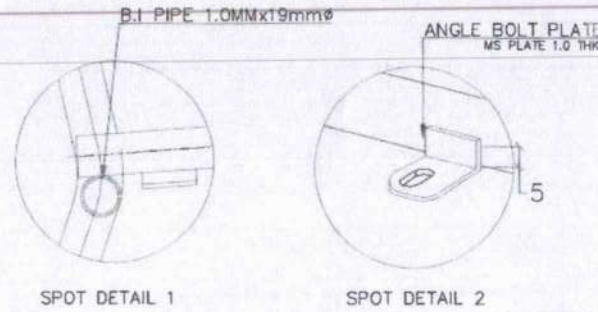
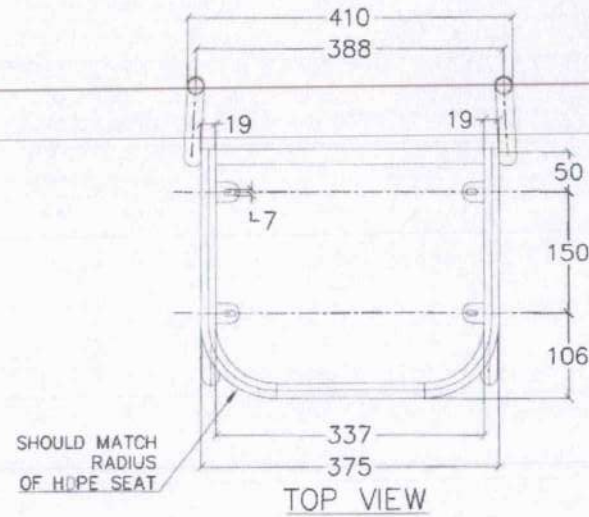
**DEPED LOGO
SPECIFICATIONS
FOR ALL
LEARNER AND
TEACHER'S CHAIR**



LEARNER'S CHAIR
PERSPECTIVE VIEW

<p>REPUBLIC OF THE PHILIPPINES DepED DEPARTMENT OF EDUCATION EDUCATION FACILITIES DIVISION MERRILL AVENUE, PASIG CITY</p>	<p>DESIGNED BY: <i>[Signature]</i> ENR. RAYMOND C. ALARSO ARCHITECT</p>	<p>RECOMMENDING APPROVAL: <i>[Signature]</i> ENGR. ANIBELLI R. PERRERA CHIEF - EDUCATION FACILITIES DIVISION</p>	<p>APPROVED BY: <i>[Signature]</i> ENR. EMACK C. DENJIN Undersecretary for School Infrastructure and Facilities</p>	<p>CONCURRED BY: <i>[Signature]</i> GRINA D. LONONG Undersecretary for Curriculum and Teaching</p>	<p>PROJECT TITLE: LEARNER'S CHAIR (HDPE & STEEL)</p>	<p>SHEET CONTENTS: ELEMENTARY LEARNER'S CHAIR: - PERSPECTIVE VIEW - TOP VIEW - REAR VIEW - FRONT VIEW - SIDE VIEW</p>	<p>SHEET NO. 2 5</p>
--	---	--	---	--	---	---	------------------------------

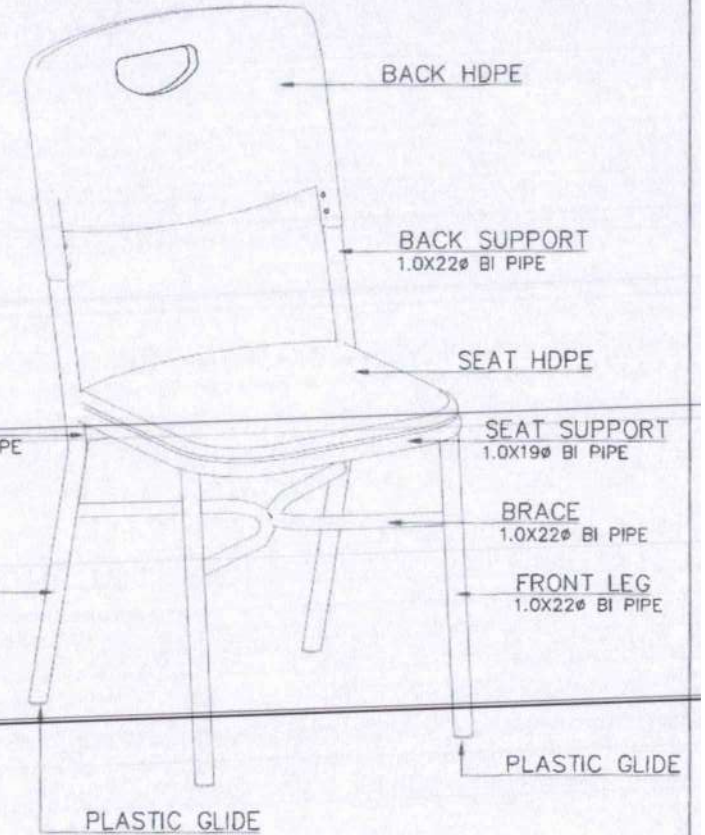
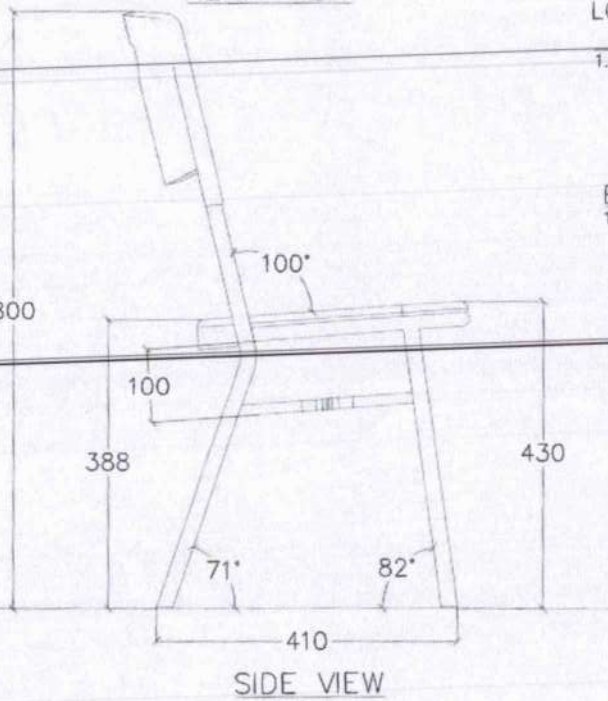
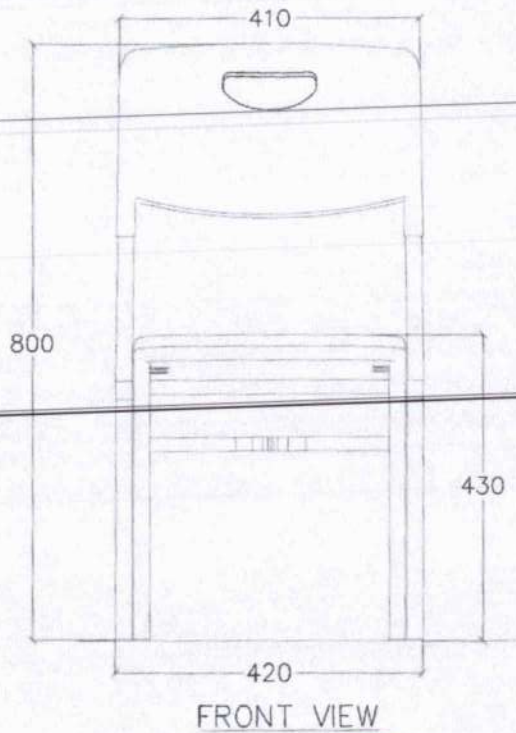
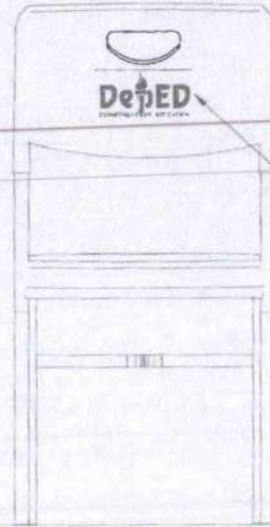
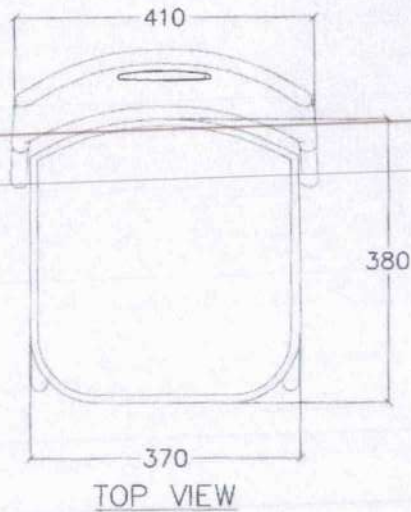
DEPED ELEMENTARY LEARNER'S CHAIR



<p>REPUBLIC OF THE PHILIPPINES DepED DEPARTMENT OF EDUCATION EDUCATION FACILITIES DIVISION MERRILL AVENUE, PASIG CITY</p>	<p>DRAWN BY: <i>[Signature]</i> ENR. RAYMOND G. ALABASO ARCHITECT</p>	<p>RECOMMENDING APPROVAL: <i>[Signature]</i> ENGR. ANNA LILIA S. SORIANO CHIEF - EDUCATION FACILITIES DIVISION</p>	<p>APPROVED BY: <i>[Signature]</i> ENR. EDUARDO V. DENISING III Undersecretary for School Infrastructure and Facilities</p>	<p>CONCURRED BY: <i>[Signature]</i> ENR. LINA O. GONONG Undersecretary for Curriculum and Learning</p>	<p>PROJECT TITLE: LEARNER'S CHAIR (HDPE & STEEL)</p>	<p>SHEET CONTENTS: -CHAIR FRAME (TOP, FRONT, SIDE VIEWS) -PERSPECTIVE VIEW -DETAILS</p>	<p>SHEET NO: 3 5</p>
	<p>3 5</p>						

DEPED SECONDARY LEARNER'S CHAIR

DEPED LOGO SPECIFICATIONS FOR ALL LEARNER AND TEACHER'S CHAIR



LEARNER'S CHAIR PERSPECTIVE VIEW



REPUBLIC OF THE PHILIPPINES
DepEd
DEPARTMENT OF EDUCATION
EDUCATIONAL LITERACY DIVISION
MORALIS AVENUE, PASAY CITY

DRAWN BY:
[Signature]
JULIANTONIO G. ALABAN
ARCHITECT

RECOMMENDING APPROVAL:
[Signature]
ENGR. ANNABELLE P. BACAY
CHIEF - DESIGN FACILITIES DIVISION

APPROVED BY:
[Signature]
SILVANO V. DENING III
Undersecretary for School Infrastructure and Facilities

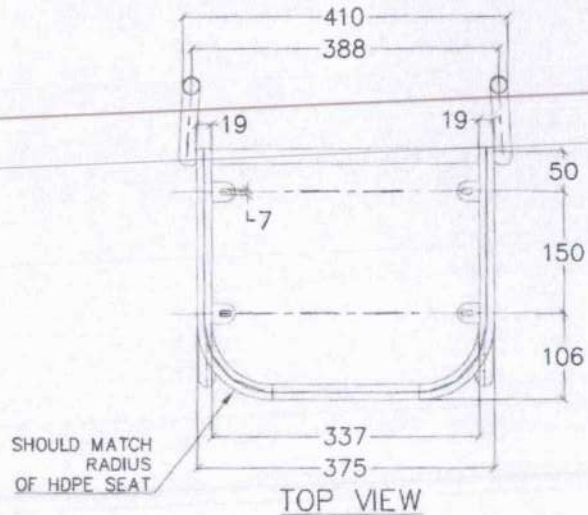
CONCURRED BY:
[Signature]
MARIE L. MUNOZ
Undersecretary for Curriculum and Teaching

PROJECT TITLE:
LEARNER'S CHAIR (HDPE & STEEL)

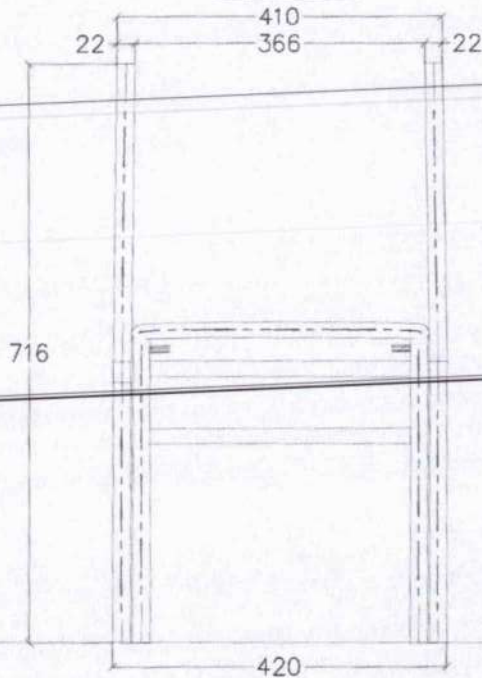
SHEET CONTENTS
SECONDARY LEARNER'S CHAIR:
- PERSPECTIVE VIEW
- TOP VIEW
- REAR VIEW
- FRONT VIEW
- SIDE VIEW

SHEET NO:
4
5

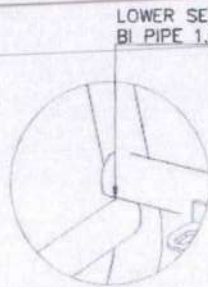
DEPED SECONDARY LEARNER'S CHAIR



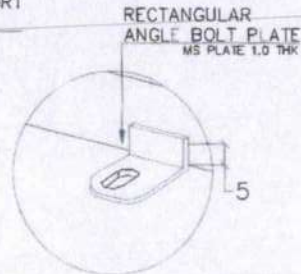
TOP VIEW



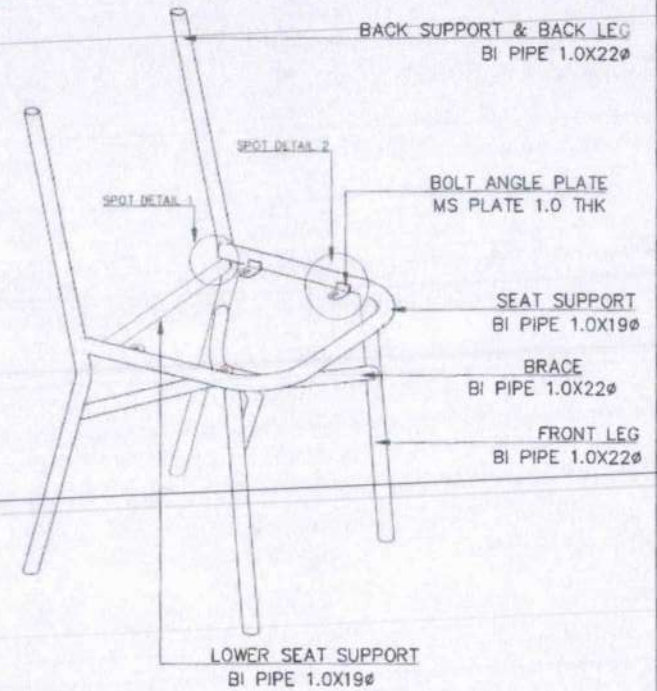
FRONT VIEW



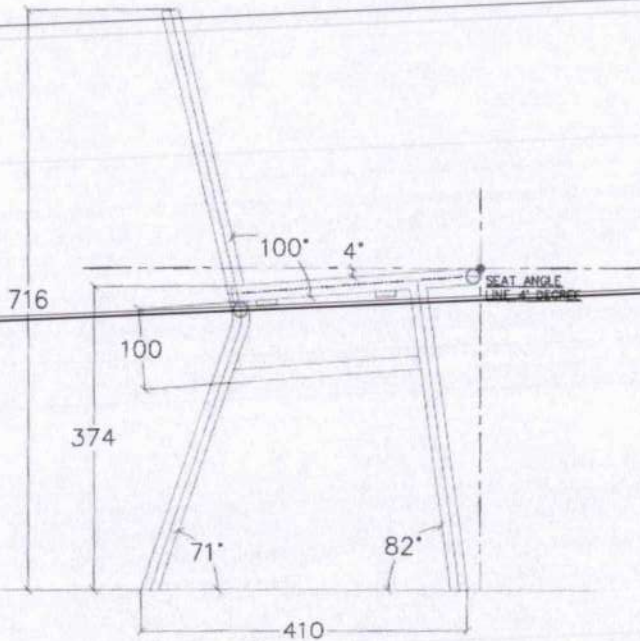
SPOT DETAIL 1



SPOT DETAIL 2



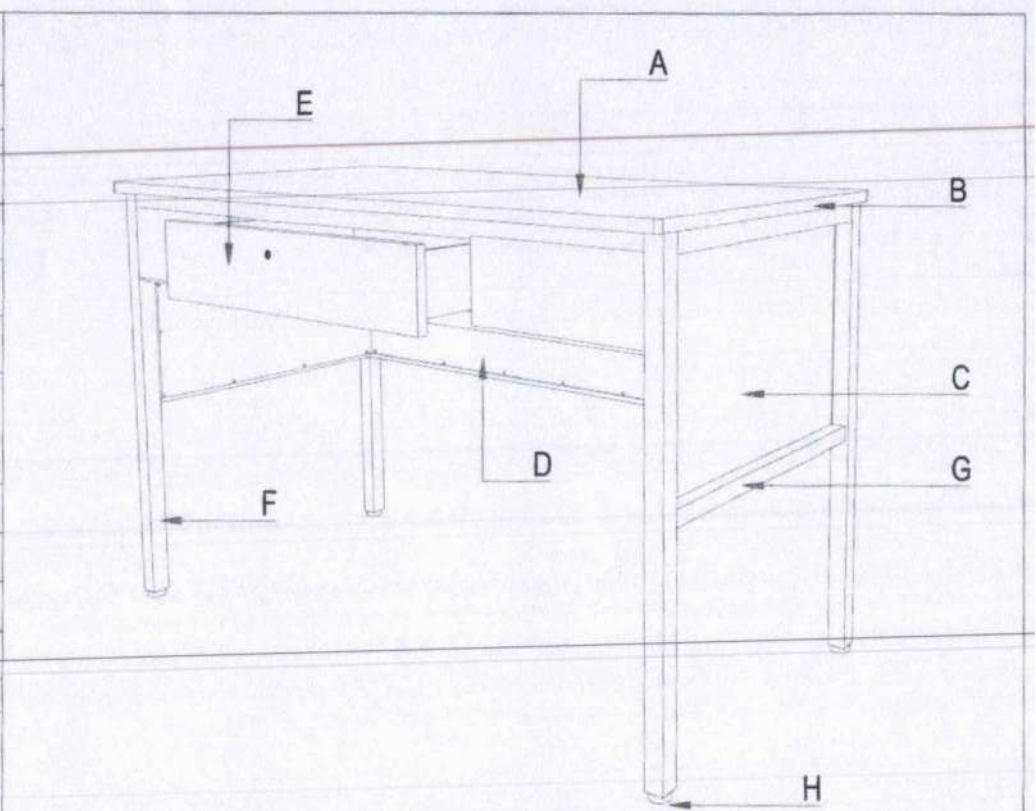
PERSPECTIVE VIEW



SIDE VIEW

<p>REPUBLIC OF THE PHILIPPINES DepED DEPARTMENT OF EDUCATION EDUCATION FACILITIES DIVISION MORADO AVENUE, PASIG CITY</p>	DRAWN BY: RICHARD G. ALABASO ARCHITECT	RECOMMENDING APPROVAL: ENGR. ANABELLE S. RAMOS CHIEF - EDUCATION FACILITIES DIVISION	APPROVED BY: E. M. DENISING III Undersecretary for School Infrastructure and Facilities	CONCURRED BY: GINA O. GONING Undersecretary for Curriculum and Teaching	PROJECT TITLE: LEARNER'S CHAIR (HDPE & STEEL)	SHEET CONTENTS SECONDARY LEARNER'S CHAIR - CHAIR FRAME (TOP, FRONT, SIDE VIEWS) - PERSPECTIVE VIEW - DETAILS	SHEET NO. 5 5

1 TECHNICAL SPECIFICATIONS OF TEACHER'S TABLE		
MARK	COMPONENTS	SPECIFICATIONS
A	TABLE TOP	18MM THK TOP BOARD ROUND CORNER'S (1 SIDE 1.0MM THK HIGH PRESSURE LAMINATE /1 SIDE VARNISH FINISHES ON MARINE PLYWOOD)
B	EDGING	2.0MM THICK PVC EDGING
C	SIDE COVER	6.0MM THICK MARINE PLYWOOD W/ HIGH PRESSURE LAMINATE
D	FRONT COVER	6.0MM THICK MARINE PLYWOOD W/ HIGH PRESSURE LAMINATE
E	PULL OUT DRAWER	DRAWER FACE : 1 SIDE 1.0MM THK HIGH PRESSURE LAMINATE / 1 SIDE VARNISH FINISHES ON 18MM THICK MARINE PLYWOOD DRAWER BOX : 12mm THK MARINE PLYWOOD W/ SOLID WOOD EDGING VARNISH FINISHED DRAWER LOCK : 1 LOCK ONLY PER TABLE,
	DRAWER GUIDE	400MM LONG RAIL GUIDE (BALL BEARING TYPE)
F	LEG	1.0MMTHKX30MMX30MM STEEL TUBULAR
G	BRACES	1.0MMTHKX30MMX30MM STEEL TUBULAR
H	ADJUSTABLE LEVELER	8MMØ THREAD WITH 38MMØ PLASTIC BASE
	CONNECTION	STEEL TO STEEL: FULL WELDING WOOD TO STEEL: THREADED NUTS E-TYPE HEX M6 X13mm LENGTH (TABLE TOP) BLIND RIVETS (FRONT COVER / SIDE COVER) WOOD TO WOOD: WOOD GLUE AND FINISHING NAILS

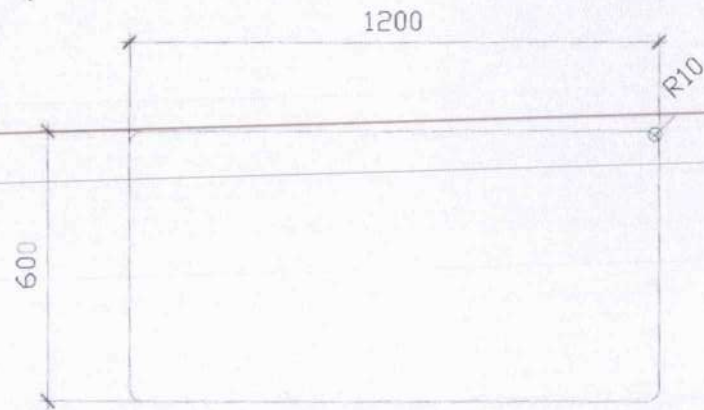


1 ISOMETRIC VIEW OF TEACHER'S TABLE
1 SCALE -H

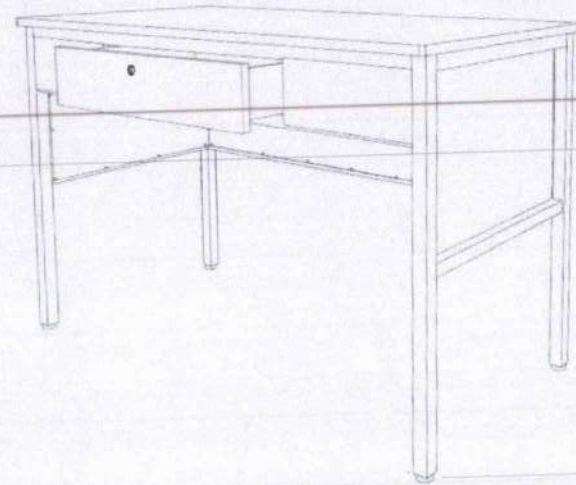
2a SCHEDULE OF FINISHES	
TOP BOARD	18MM THK TOP BOARD ROUND CORNER'S (1 SIDE 1.0MM THK HIGH PRESSURE LAMINATE /1 SIDE VARNISH FINISHES ON MARINE PLYWOOD)
EDGING	2.0MM THICK PVC EDGING

METAL/STEEL TUBULAR	POWDER COATED (BLACK); SMOOTH, GLOSSY FINISH
LAMINATE COLOR	PANTONE 729C OR COLOR HEX #ba7c45 / RGB 186, 124, 69 / CMYK 0%, 33%, 63%, 27% WITH WOOD GRAIN (SERANO BEECH OR EQUIVALENT)

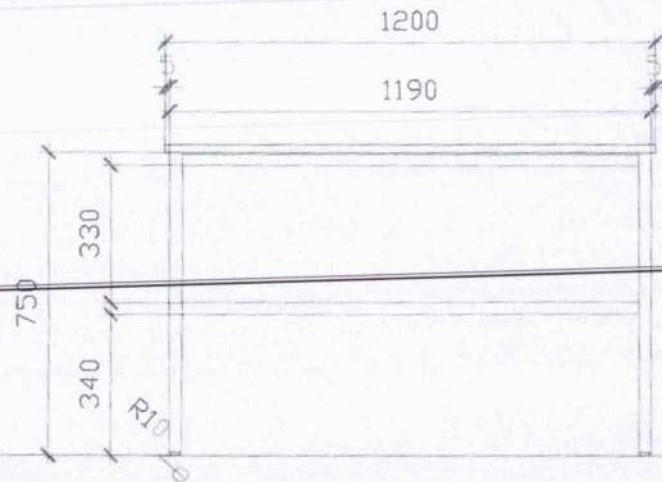
3 DIMENSIONS OF TEACHER'S TABLE (mm) (TOLERANCE ± 10mm)		
MARK	COMPONENTS	DIMENSIONS
a	TABLE HEIGHT	750
b	TABLE LENGTH	1200
c	TABLE WIDTH	600



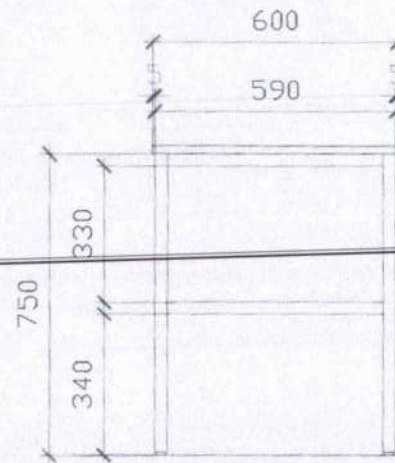
PLAN



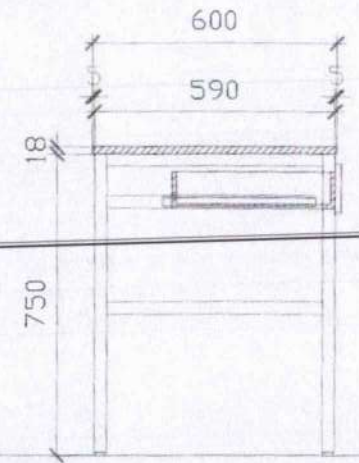
PERSPECTIVE



FRONT ELEV.



RIGHT SIDE ELEVATION



SECTION



DRAWN BY: *[Signature]*
 ARCHT. **ALBERTO G. ALBERGO**

RECOMMENDING APPROVAL: *[Signature]*
 ENGR. **MANABEE B. LAROSA**
 CHIEF **CARON FLORES DIMON**

APPROVED BY: *[Signature]*
 ENGR. **EMACIO V. DENING II**
 Undersecretary for School Infrastructure and Facilities

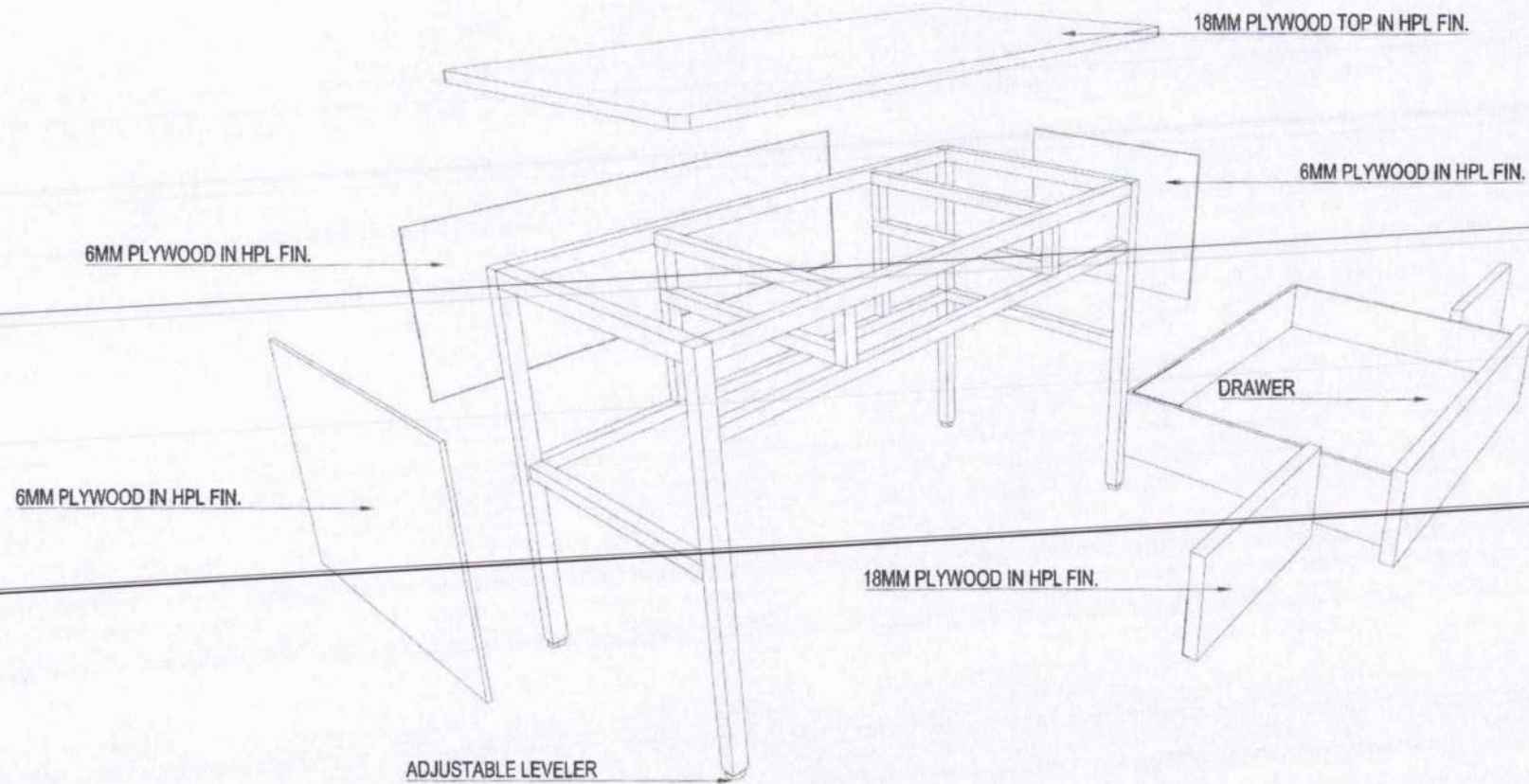
CONCORRED BY: *[Signature]*
GINA D. GIMONG
 Undersecretary for Curriculum and Teaching

PROJECT TITLE: **TEACHER'S TABLE (WOOD & STEEL)**

SHEET CONTENTS:
 PLAN
 PERSPECTIVE
 FRONT ELEVATION
 SECTION

SHEET NO: **2**
5

TEACHER'S TABLE



EXPLODED VIEW



REPUBLIC OF THE PHILIPPINES
DepED
 DEPARTMENT OF EDUCATION
 EDUCATION FACILITIES DIVISION
 MELBURN AVENUE, PASIG CITY

DRAWN BY :

JEREMYSON G. ALBISO
 ARCHITECT

RECOMMENDING APPROVAL :

ENGR. ANABELLE S. PANG
 CHIEF - EDUCATION FACILITIES DIVISION

APPROVED BY :

ENRICO M. BENSING III
 Undersecretary for School Infrastructure
 and Facilities

CONCURRED BY :

GINA O. GONGONG
 Undersecretary for Curriculum and Teaching

PROJECT TITLE :

TEACHER'S TABLE
 (WOOD & STEEL)

SHEET CONTENTS

TEACHER'S TABLE EXPLODED VIEW

SHEET NO.:

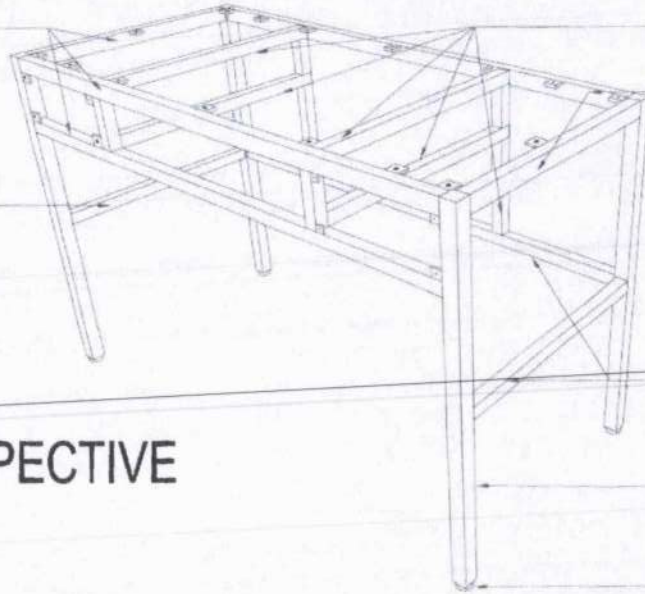
3
5

METAL FRAMING DETAIL

30X30X1MM TUBULAR
IN BLACK POWDER
COAT FIN.

30X30X1MM TUBULAR
IN BLACK POWDER
COAT FIN.

PERSPECTIVE



30X30X1MM TUBULAR
IN BLACK POWDER
COAT FIN.

30X30X1MM TUBULAR
IN BLACK POWDER
COAT FIN.

30X30X1MM TUBULAR
IN BLACK POWDER
COAT FIN.

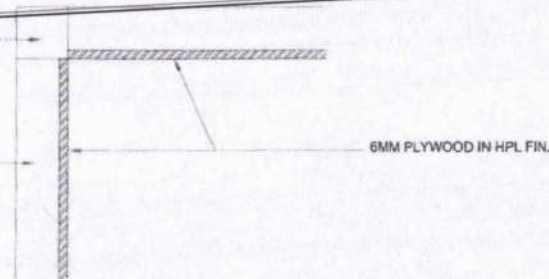
30X30X1MM TUBULAR
POST IN BLACK POWDER
COAT FIN.

ADJUSTABLE
GLIDES

30X30X1MM TUBULAR
POST IN BLACK POWDER
COAT FIN.

30X30X1MM TUBULAR
BRACE IN BLACK POWDER
COAT FIN.

TOP VIEW SECTION



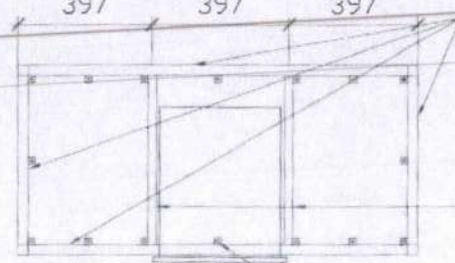
6MM PLYWOOD IN HPL FIN.

397 397 397

30X30X1MM TUBULAR
BRACE IN BLACK POWDER
COAT FIN.

30X30X1MM TUBULAR
IN BLACK POWDER
COAT FIN.

TOP



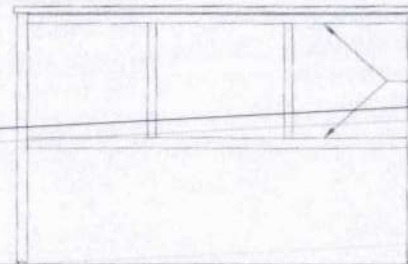
25mmX50mmX1MM THK
POWDER COATED STEEL
FLAT BAR

30X30X1MM TUBULAR
IN BLACK POWDER
COAT FIN.

30X30X1MM TUBULAR
POST IN BLACK POWDER
COAT FIN.

FRONT

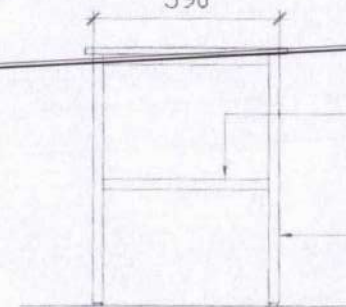
590



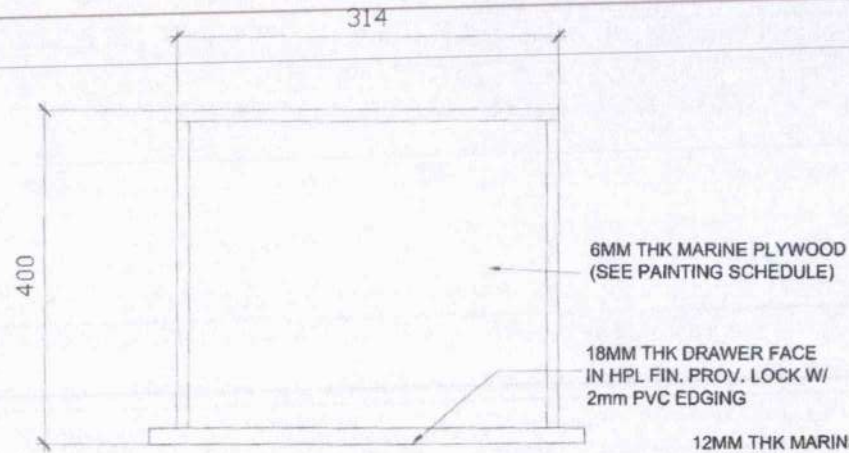
30X30X1MM TUBULAR
IN BLACK POWDER
COAT FIN.

30X30X1MM TUBULAR
POST IN BLACK POWDER
COAT FIN.

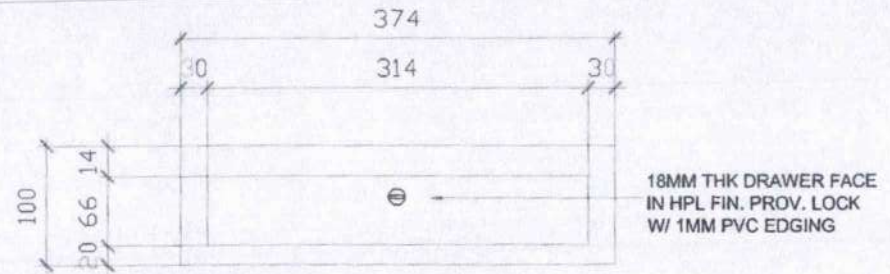
SIDE VIEW



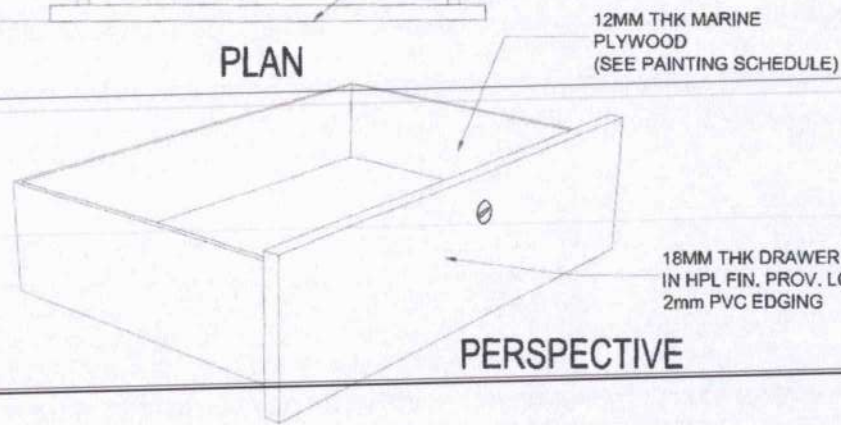
METAL CENTRAL DRAWER DETAIL



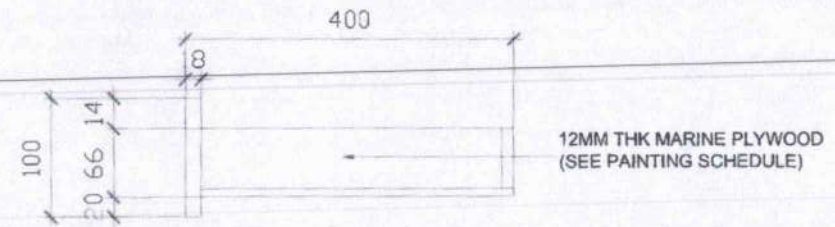
PLAN



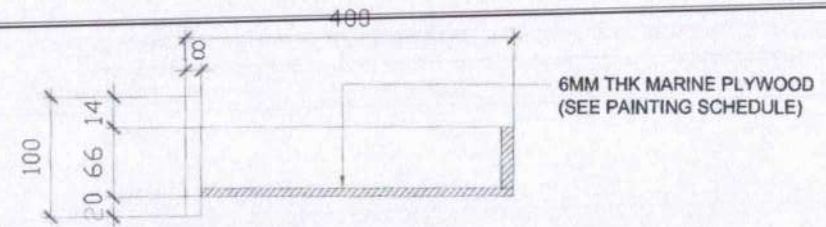
FRONT ELEV.



PERSPECTIVE



RIGHT SIDE VIEW



SECTION

PAINTING SCHEDULE

PAINTING SCHEDULE	
SANDING	ALL SURFACE TO BE COATED SHALL BE SMOOTHLY SANDED
1ST COAT	OIL WOOD STAIN - WHITE OAK FULL COLOR
INTERMEDIATE COAT	LACQUER SANDING SEALER
TOP COAT	CLEAR GLOSS LACQUER (2 COATS)



DESIGNED BY:

 ARNEL D. ARMAS
 ARCHITECT

RECOMMENDING APPROVAL:

 ENGR. ARNEL D. ARMAS
 CHIEF ARCHITECT

APPROVED BY:

 ENGR. ARNEL D. ARMAS
 CHIEF ARCHITECT

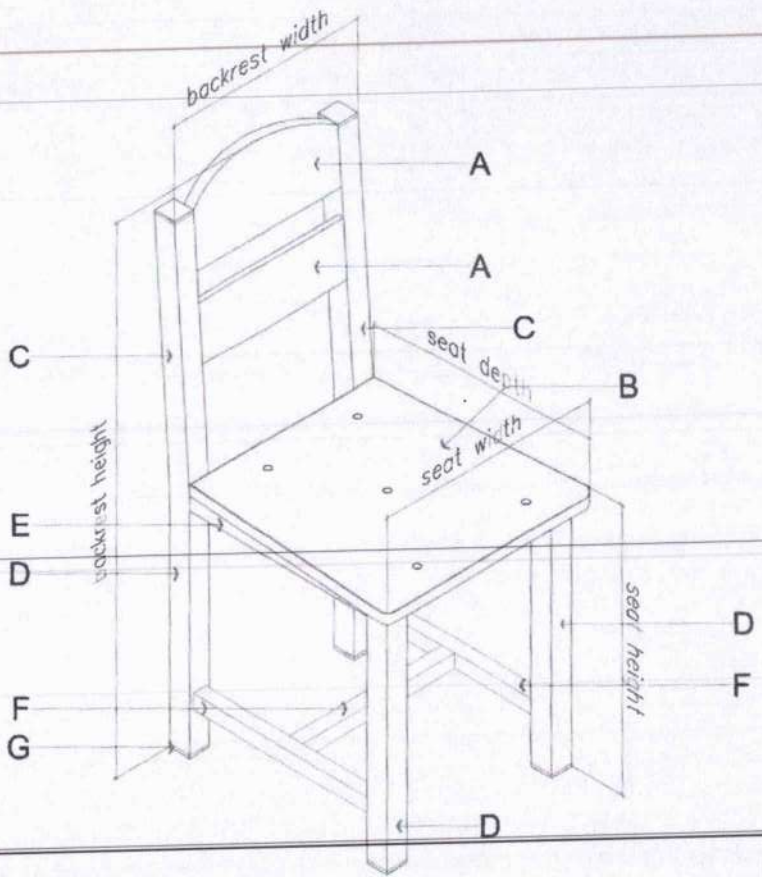
CONCURRED BY:

 GINA O. GOJIONG
 Undersecretary for Curriculum and Teaching

PROJECT TITLE:
 TEACHER'S TABLE
 (WOOD & STEEL)

SHEET CONTENTS:
 METAL DRAWER DETAIL
 -FRONT ELEVATION
 -SECTION
 -EXPLODED VIEW
 -PERSPECTIVE

SHEET NO:
 5
 5



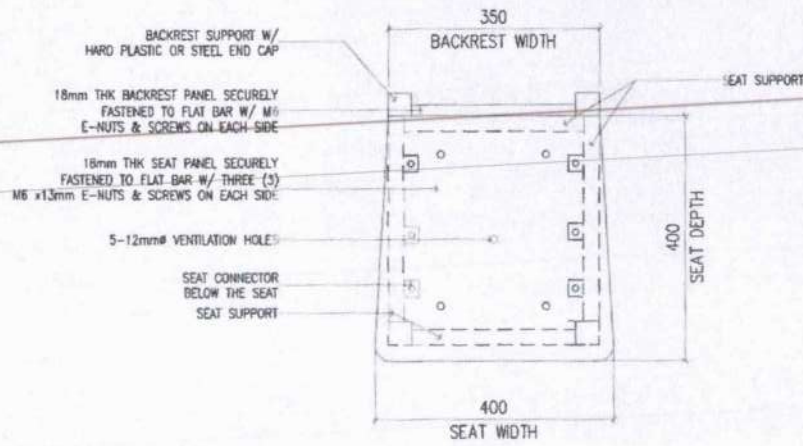
1 TECHNICAL SPECIFICATIONS OF TEACHER'S CHAIR		
MARK	COMPONENT	SPECIFICATIONS
A	BACKREST	18mm THK BACKREST PANEL (0.9mm THK HIGH PRESSURE LAMINATE ON MARINE PLYWOOD) W/ PVC EDGING
B	SEAT	18mm THK SEAT PANEL (0.9mm THK HIGH PRESSURE LAMINATE ON MARINE PLYWOOD) W/ PVC EDGING & 5 VENT HOLES (12mm ϕ)
C	BACKREST SUPPORT	0.8mm THK x 30mm x 30mm STEEL TUBULAR
D	LEG	0.8mm THK x 30mm x 30mm STEEL TUBULAR
E	SEAT SUPPORT	1mm THK x 30mm x 30mm STEEL TUBULAR
F	LEG BRACE	1mm THK x 30mm x 30mm STEEL TUBULAR
G	FOOTING	HARD PLASTIC (BLACK)
	EDGING	PVC EDGING
	CONNECTION	
	WOOD TO STEEL	1mm THK x 25mm x 75mm FLAT BAR (FOR BACKREST - 1) 1mm THK x 25mm x 50mm FLAT BAR (FOR BACKREST - 2) 1mm THK x 25mm x 50mm FLAT BAR (SEAT) M6 x13mm E-NUT AND SCREW (WOOD INSERT)
	STEEL TO STEEL	FULL WELDING - FOR TUBULAR TO TUBULAR CONNECTIONS; ADEQUATE WELDING - FOR B.I. PIPE TO FLAT BAR CONNECTIONS

2 SCHEDULE OF FINISHES	
BACKREST & SEAT	HIGH PRESSURE WOOD GRAIN LAMINATE W/ PVC EDGING
METAL / STEEL	POWDER COATED (BLACK); SMOOTH, GLOSSY FINISH
LAMINATE COLOR	SERANO BEECH OR EQUIVALENT

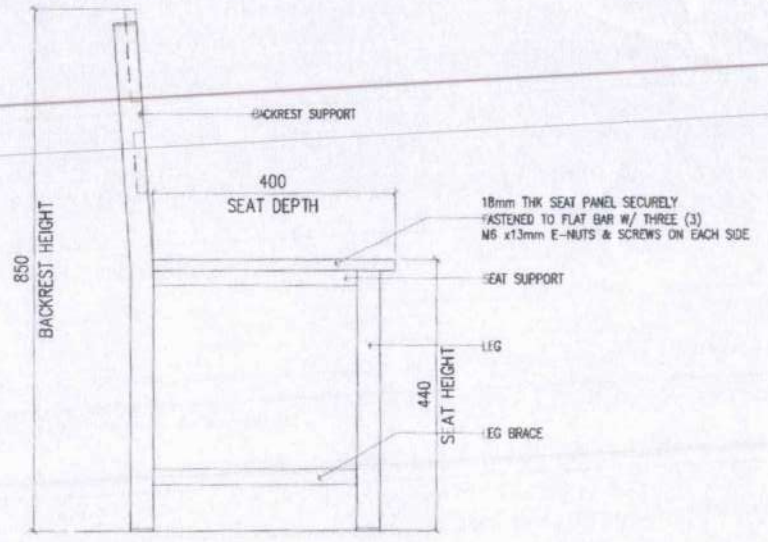
3 DIMENSIONS OF TEACHER'S CHAIR (TOLERANCE OF ± 10 mm)	
COMPONENT	DIMENSIONS (mm)
SEAT HEIGHT	440
SEAT DEPTH	400
SEAT WIDTH	400
BACKREST HEIGHT	850
BACKREST WIDTH	350

NOTES:
WOOD GLUE SHALL BE APPLIED BEFORE INSERTING E-NUT INTO THE PLYWOOD
CORNERS OF BACKREST & SEAT PANELS MUST BE ROUNDED

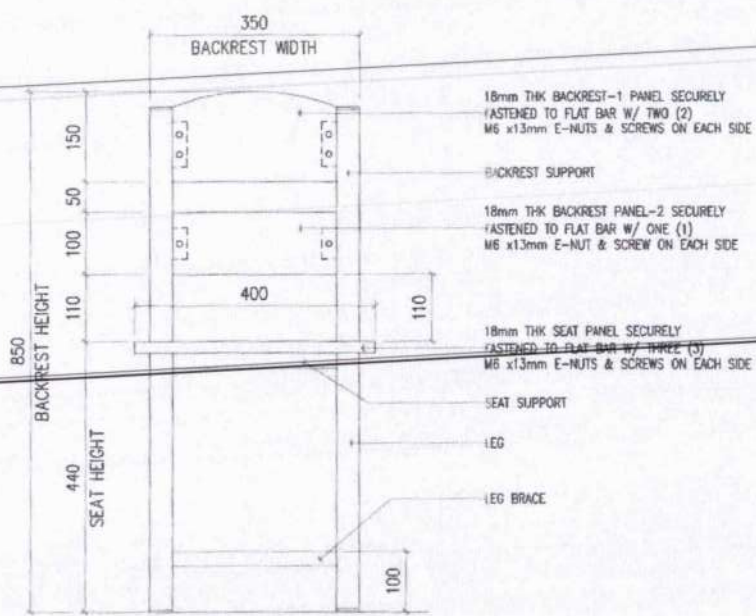
 REPUBLIC OF THE PHILIPPINES DepEd DEPARTMENT OF EDUCATION EDUCATION FACILITIES DIVISION HERALDO AVENUE, PASIG CITY	Drawn By: RAYMOND G. ALABAS ARCHITECT	RECOMMENDING APPROVAL: ENR. NERI BELEN B. PERALTA CHIEF, EDUCATION FACILITIES DIVISION	APPROVED BY: ENR. ROMEO C. SISON Undersecretary for School Infrastructure and Facilities	CONCURRED BY: ENR. G. G. GIRON Undersecretary for Curriculum and Teaching	PROJECT TITLE: TEACHER'S CHAIR (WOOD & STEEL)	SHEET CONTENTS: TECHNICAL SPECIFICATIONS OF TEACHER'S CHAIR SCHEDULE OF FINISHES DIMENSIONS ISOMETRIC VIEW	SHEET NO.: 1 3
---	--	---	---	--	---	--	--



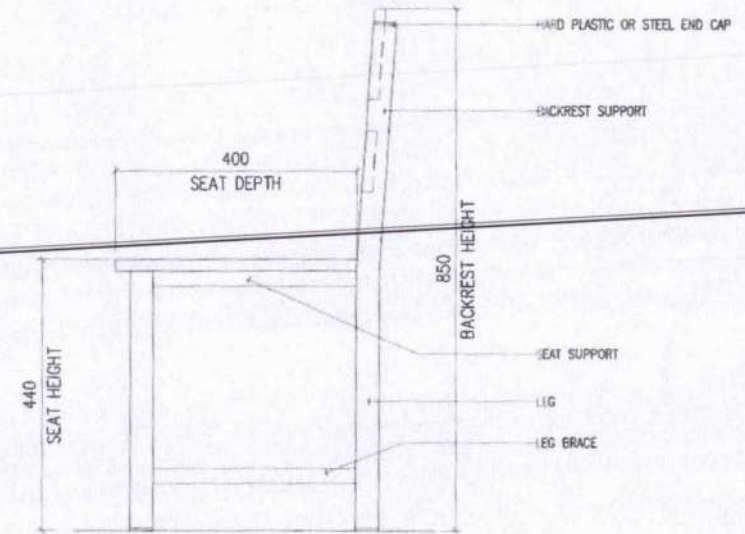
1 PLAN
2 SCALE 1 : 50 M



3 LEFT-SIDE ELEVATION
2 SCALE 1 : 50 M



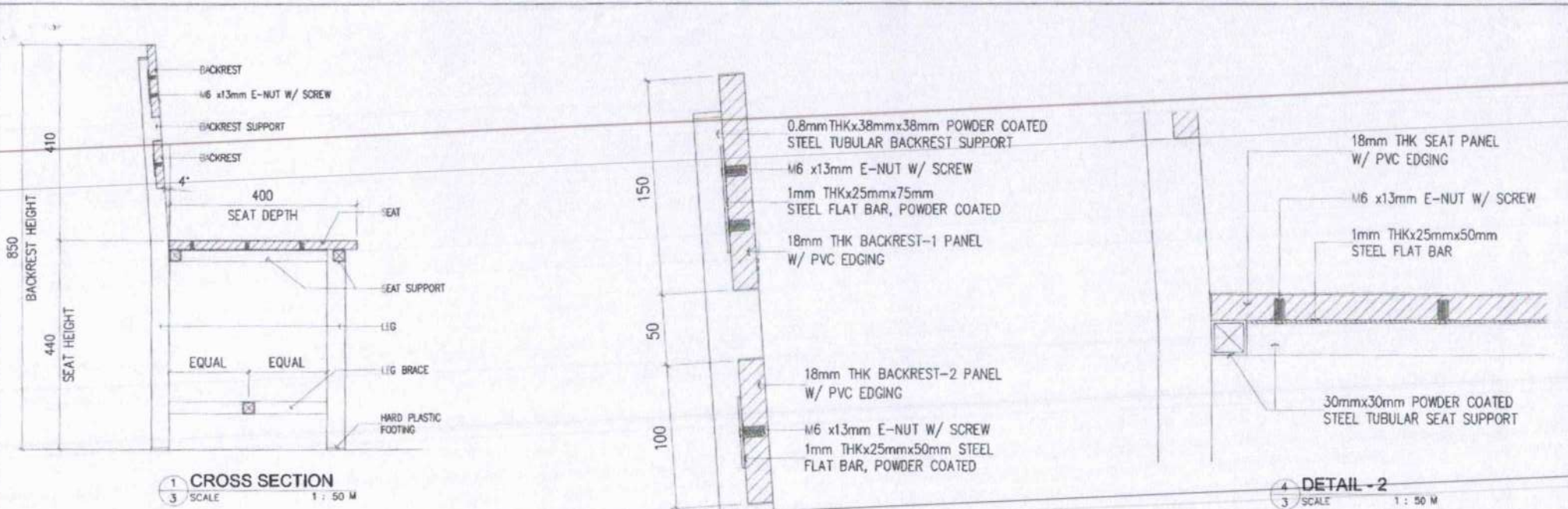
2 FRONT ELEVATION
2 SCALE 1 : 50 M



4 RIGHT-SIDE ELEVATION
2 SCALE 1 : 50 M

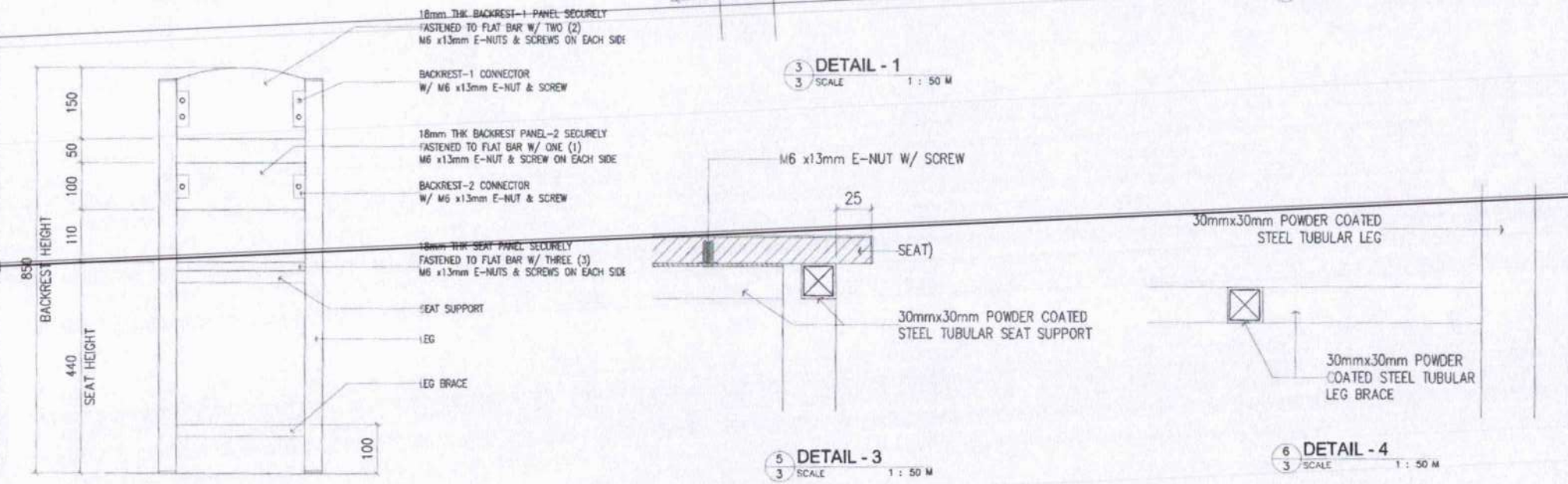
NOTES:
WOOD GLUE SHALL BE APPLIED BEFORE INSERTING E-NUT INTO THE PLYWOOD CORNERS OF BACKREST & SEAT PANELS MUST BE ROUNDED

<p>REPUBLIC OF THE PHILIPPINES DEPARTMENT OF EDUCATION OFFICE OF THE SUPERINTENDING EDUCATION OFFICER MERRILL T. AVILA, PASIG CITY</p>	<p>DESIGNED BY:</p> JET RAYMOND G. ACOSTA ARCHITECT	<p>RECOMMENDING APPROVAL:</p> ENGR. ANABELLE P. ACOSTA CHIEF - EDUCATION FACILITIES DIVISION	<p>APPROVED BY:</p> EPIMACO V. DINISING Undersecretary for School Infrastructure and Facilities	<p>CONCURRED BY:</p> GINA O. CONONG Undersecretary for Curriculum and Teaching	<p>PROJECT TITLE:</p> <p>TEACHER'S CHAIR (WOOD & STEEL)</p>	<p>SHEET CONTENTS</p> <p>PLANS & ELEVATIONS - TEACHER'S CHAIR</p>	<p>SHEET NO:</p> <p>2 3</p>
	<p>WOOD GLUE SHALL BE APPLIED BEFORE INSERTING E-NUT INTO THE PLYWOOD CORNERS OF BACKREST & SEAT PANELS MUST BE ROUNDED</p>						



1 CROSS SECTION
3 SCALE 1 : 50 M

4 DETAIL - 2
3 SCALE 1 : 50 M



3 DETAIL - 1
3 SCALE 1 : 50 M

5 DETAIL - 3
3 SCALE 1 : 50 M

6 DETAIL - 4
3 SCALE 1 : 50 M

2 REAR ELEVATION
3 SCALE 50 M

NOTES:
WOOD GLUE SHALL BE APPLIED BEFORE INSERTING E-NUT INTO THE PLYWOOD
CORNERS OF BACKREST & SEAT PANELS MUST BE ROUNDED

<p>REPUBLIC OF THE PHILIPPINES DEPARTMENT OF EDUCATION EDUCATION FACILITIES DIVISION MUNICIPAL SCHOOL, PANGKATAY</p>	<p>DESIGNED BY:</p> <p>RAYMOND G. ALARIDO ARCHITECT</p>	<p>RECOMMENDING APPROVAL:</p> <p>ENGR. ANNABELLE CHIEF - EDUCATION FACILITIES DIVISION</p>	<p>APPROVED BY:</p> <p>IMACIO T. LENSING II Undersecretary for School Infrastructure and Facilities</p>	<p>CONCURRED BY:</p> <p>GINA D. GUNGONG Undersecretary for Curriculum and Teaching</p>	<p>PROJECT TITLE:</p> <p>TEACHER'S CHAIR (WOOD & STEEL)</p>	<p>SHEET CONTENTS</p> <p>CROSS SECTION REAR ELEVATION SPOT DETAILS</p>	<p>SHEET NO.</p> <p>3</p>
							<p>3</p>